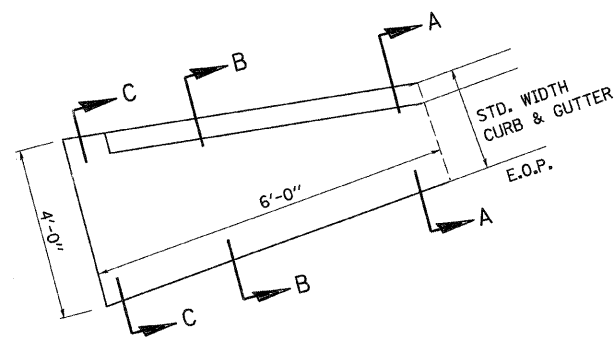
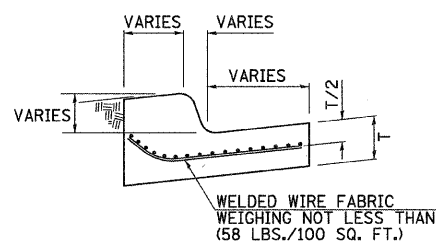


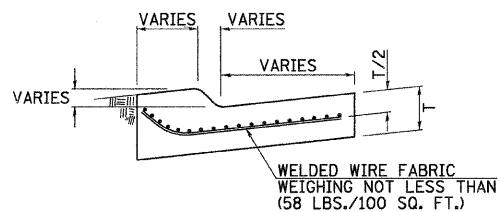
CURB DETAIL



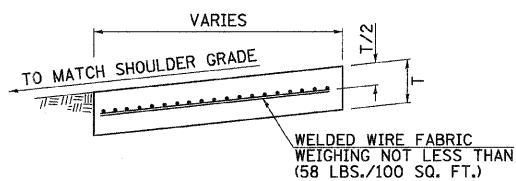
PLAN



SECTION A-A



SECTION B-B



SECTION C-C

**CURB & GUTTER OUTLET, SPECIAL**

(TO BE PAID FOR AS COMBINATION CONCRETE CURB & GUTTER, TYPE B-6.12 OR B-6.24)

FILE NAME = V:\2987\2987\005.dgn	USER NAME = bdecrane	DESIGNED -	REVISED -	<b>STATE OF ILLINOIS DEPARTMENT OF TRANSPORTATION</b>	<b>F.A.U. 3799 (RIVER RD.), SPECIAL DETAILS</b>			F.A.U. RTE.	SECTION	COUNTY	TOTAL SHEETS	SHEET NO.
		DRAWN -	REVISED -					3799	08-00036-00-BR	KENDALL	54	21
		CHECKED -	REVISED -		SCALE: N/A			SHEET NO. 3 OF 3 SHEETS		STA. N/A	TO STA. N/A	
		DATE -	REVISED -		FED. ROAD DIST. NO. ILLINOIS FED. AID PROJECT CONTRACT NO. 87509							