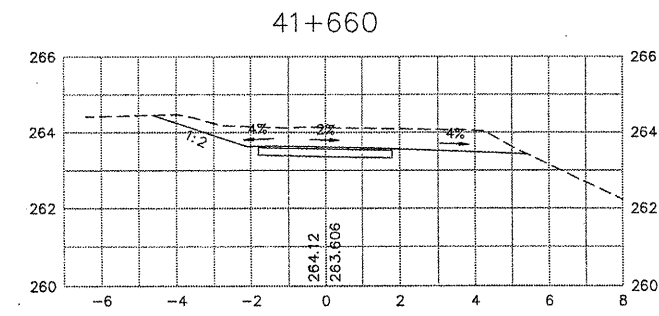
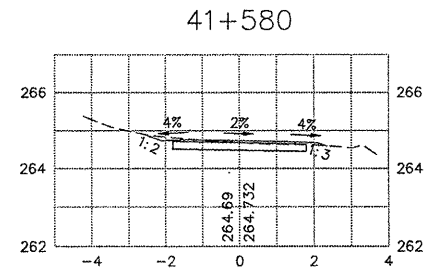
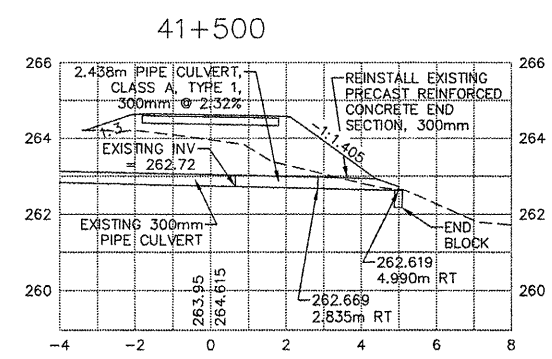
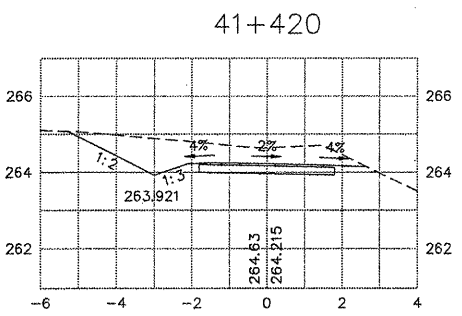
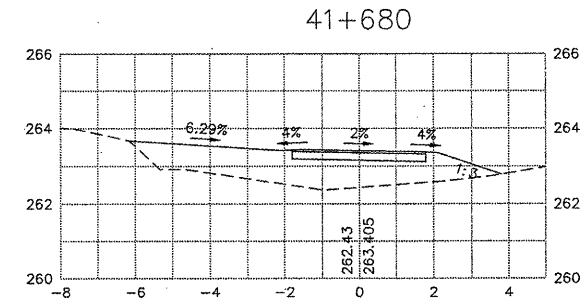
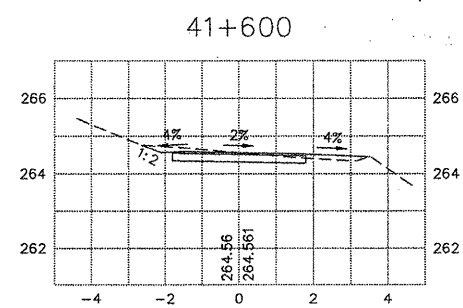
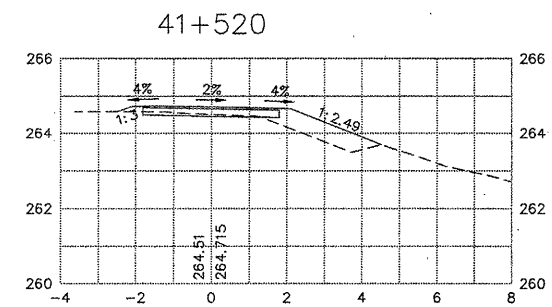
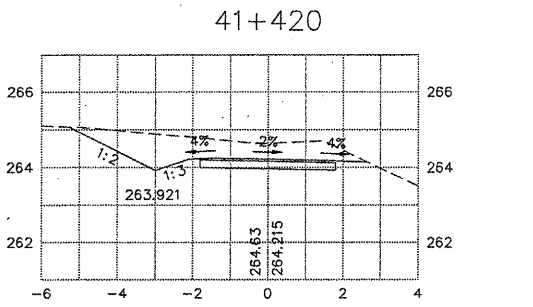
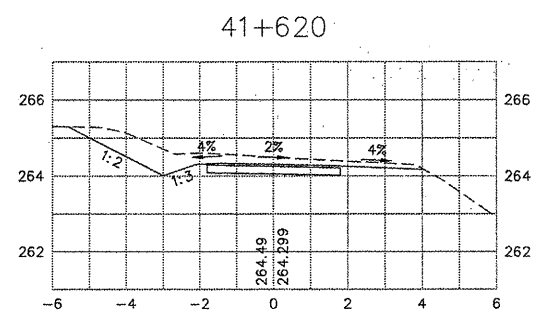
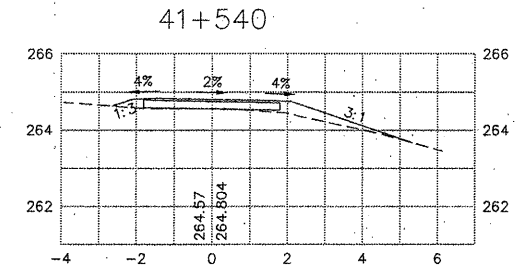
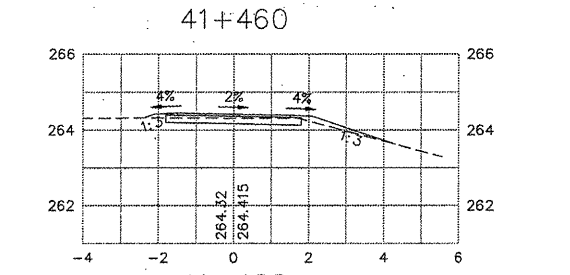
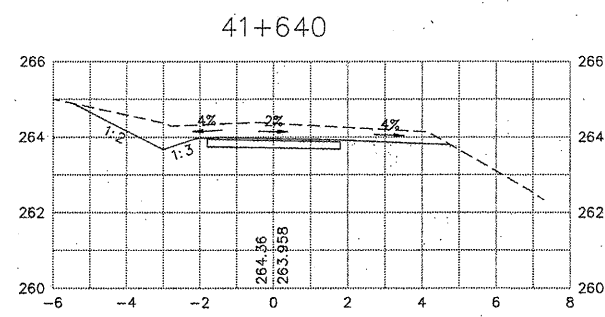
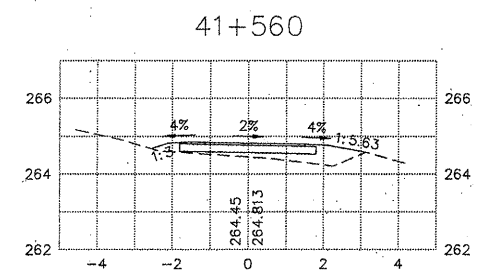
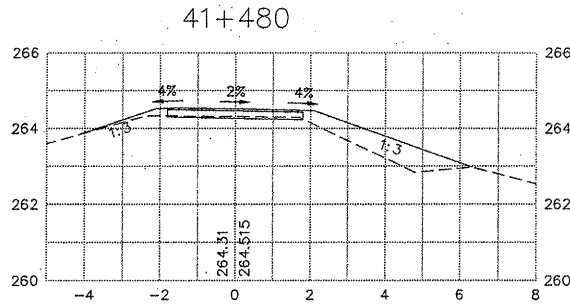
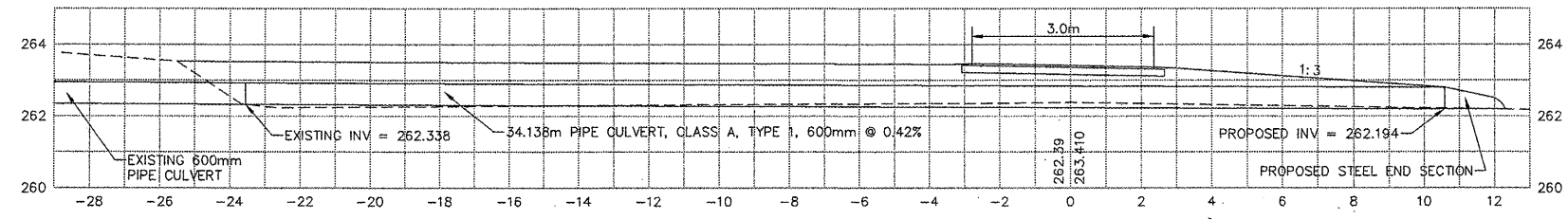


(SKEWED SECTION ALONG THE CL OF 300m PIPE)  
41+678.21

CONTRACT NO. 85546



SHEET REVIEW	
AGENCY	DATE

REVISIONS		
NO.	ITEM	DATE

SCALE: Hor. = 1:1 Ver. = 1:1
DRAWN BY: MS
CHECKED BY: JWH
DATE: DECEMBER 12, 2011

7282 Argus Drive  
Rockford, Illinois 61107-5837  
(815) 398-2332 FAX (815) 398-2496  
Design Firm License: Illinois 184-000816  
Copyright 2011 By McClure Engineering Associates, Inc.

**McClure**  
Engineering Associates, Inc.

**CROSS SECTIONS 41+420 - 41+680**  
PECATONICA PRAIRIE PATH  
WINNEBAGO COUNTY HIGHWAY DEPARTMENT SECTION 94-00267-00-BT  
FILE: H:\10-042 WINN CO PEC PATH\DESIGN\DRAWINGS\10-042 SWIFT WEST CROSS SECTIONS.DWG JOB: 04-30-10-042

SHEET NO.  
58  
OF  
107