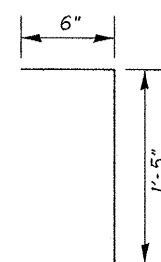
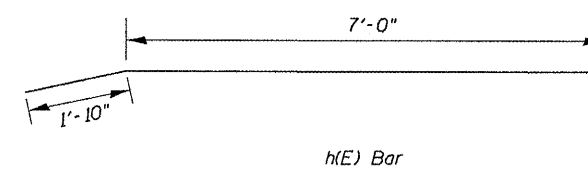


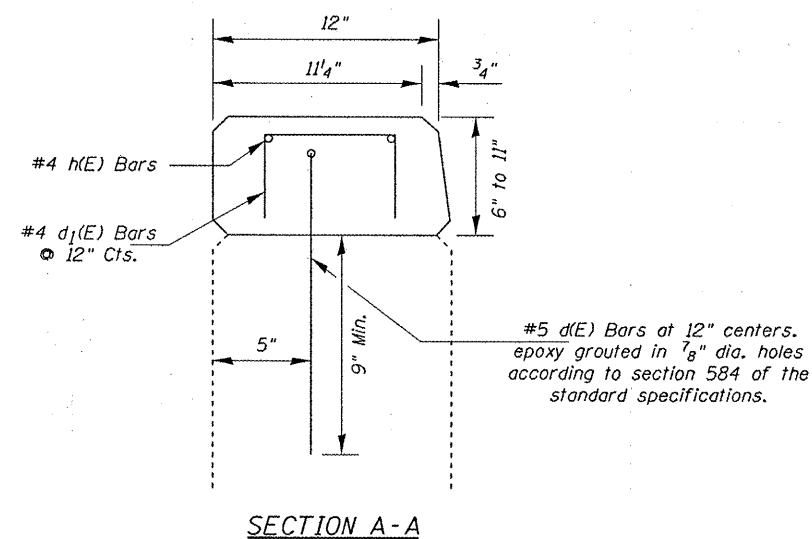
$d_1(E)$ Bar



$d(E)$ Bar



$h(E)$ Bar



SECTION A-A

GUARDRAIL SCHEDULE						
STATION			GUARDRAIL REMOVAL	TRAFFIC BARRIER TERMINAL, TY 1 SPL TANGENT	TRAFFIC BARRIER TERMINAL, TYPE 6	STEEL PLATE BEAM GUARDRAIL
			FOOT	EACH	EACH	FOOT
1101+51.40	TO	1102+44.50	93.1			
1101+51.40	TO	1101+95.15			1	
1101+95.15	TO	1102+57.65		1		62.5
1102+57.65	TO	1103+07.65				
1101+51.40	TO	1102+44.50	93.1			
1101+51.40	TO	1101+95.15			1	
1101+95.15	TO	1102+45.15		1		
TOTALS			186.2	2	2	62.5

BILL OF MATERIAL

BAR	NO.	SIZE	LENGTH	SHAPE
$d(E)$	16	5	1'-11"	┌
$d_1(E)$	16	4	1'-7"	┌
$h(E)$	4	4	8'-10"	┌
Concrete Removal		Cu Yd	0.2	
Concrete Superstructure		Cu Yd	0.6	
Reinforcement Bars, Epoxy Coated		Pound	70	

FILE NAME :	USER NAME : #USER#	DESIGNED	REVISED -
c:\pwwork\pwwid\lavenderba\0253199\83-0044\smart-shr-plan.dgn		DRAWN	REVISED -
		CHECKED	REVISED -
		DATE	REVISED -

STATE OF ILLINOIS
DEPARTMENT OF TRANSPORTATION

EAST ABUTMENT WINGWALL DETAILS
AND GUARDRAIL SCHEDULE, SN 083-0044

SCALE: SHEET NO. OF SHEETS STA. TO STA.

F.A.P. RTE.	SECTION	COUNTY	TOTAL SHEETS	SHEET NO.
331	D9 CM BRIDGE REP 2012-2	SALINE	12	12
CONTRACT NO. 78246				
ILLINOIS FED. AID PROJECT				