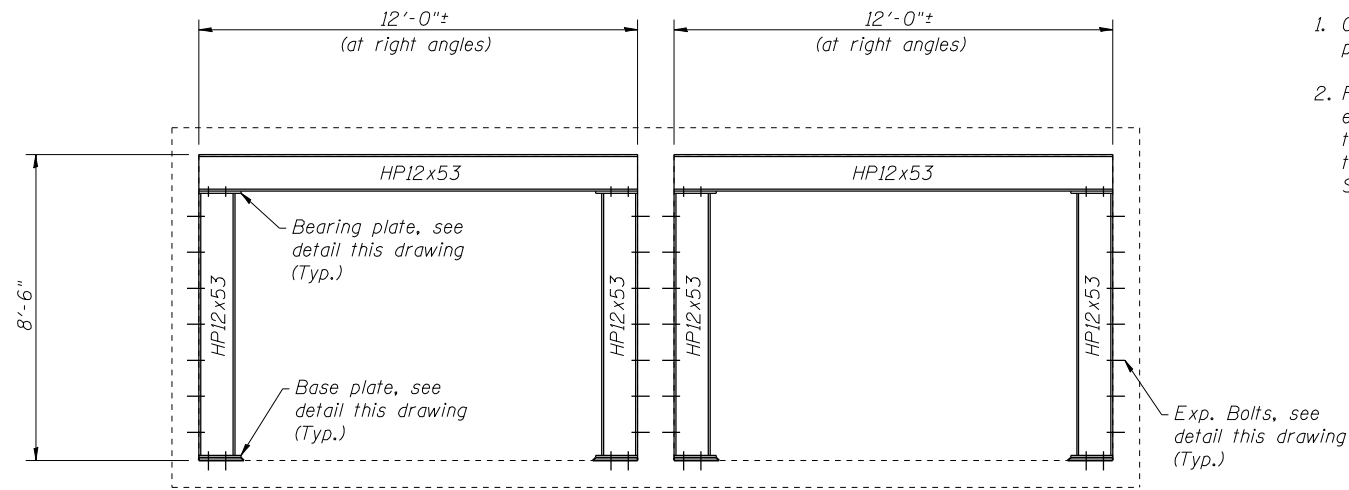


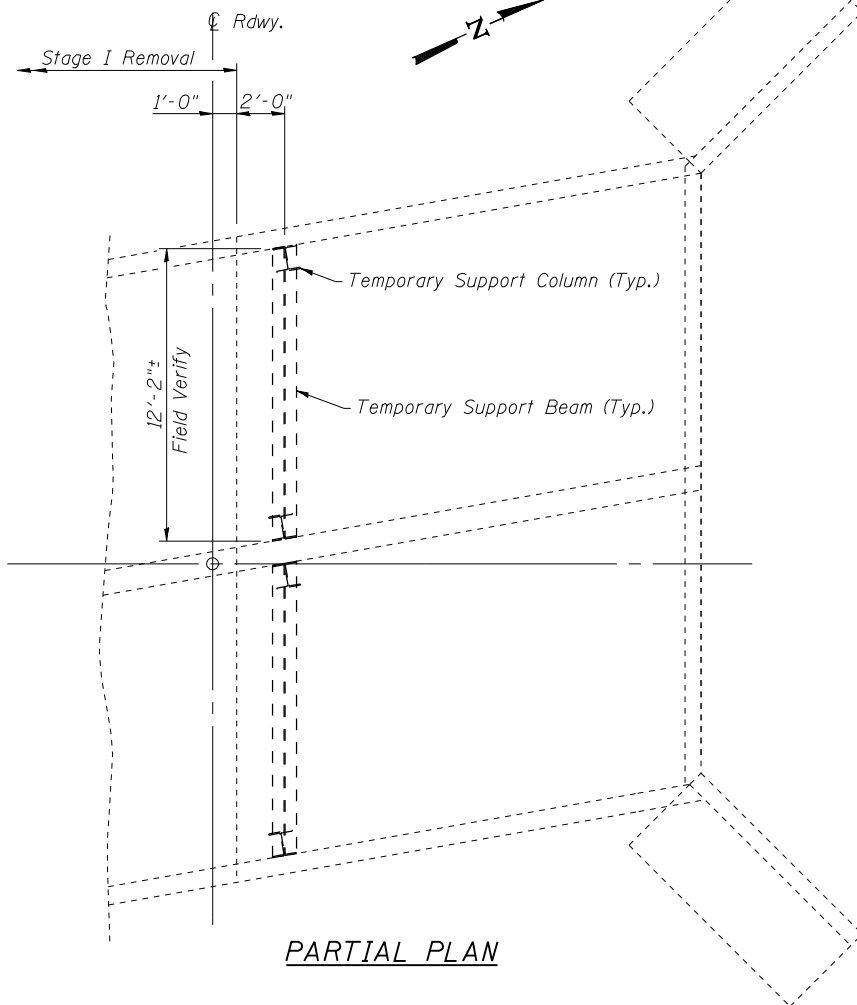
**PARTIAL LONGITUDINAL SECTION**



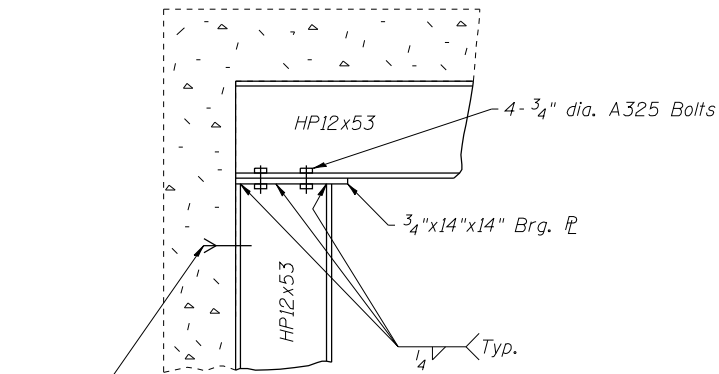
**TRANSVERSE SECTION**

**TEMPORARY SUPPORT SYSTEM NOTES**

1. Complete Temporary Support System must be installed/approved prior to commencing any concrete removal.
2. Furnishing, installing, and subsequent removal of beams, connections, etc. required for the Temporary Support System will be paid for at the Contract Unit Price per each for Temporary Support System at the locations specified in the plans. After removal, all Temporary Support System materials shall be the property of the Contractor.

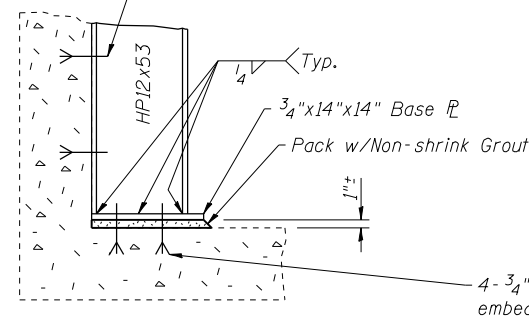


**PARTIAL PLAN**

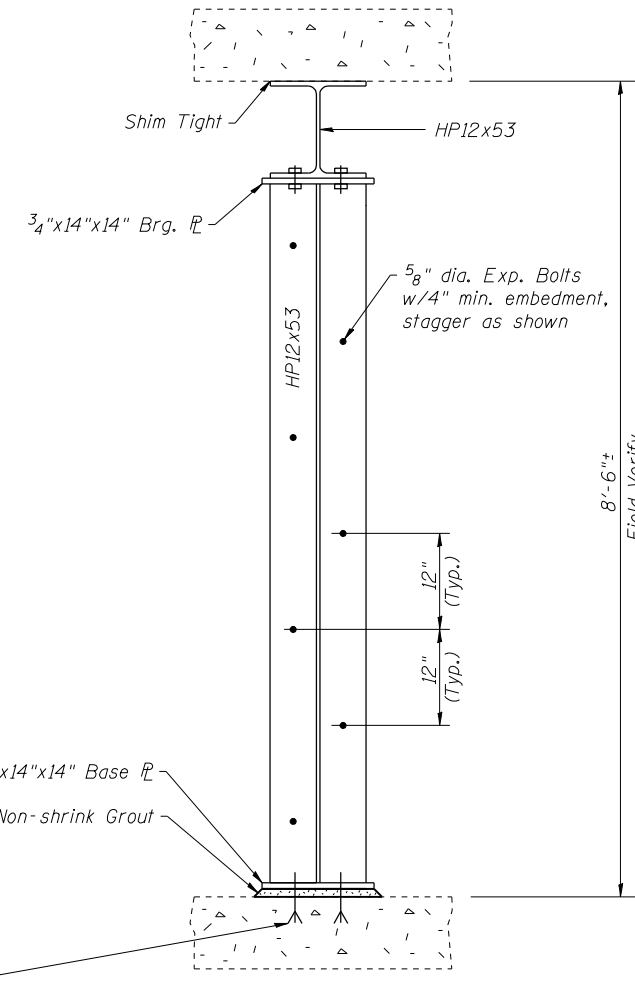


**BEARING PLATE DETAIL**

5/8" dia. Exp. Bolts ea. side of column web @ 12"± cts. (staggered). See Expansion Bolt Detail this drawing.



**BASE PLATE DETAIL**



**EXPANSION BOLT DETAIL**



|                                    |                      |           |
|------------------------------------|----------------------|-----------|
| USER NAME = RJT                    | DESIGNED - RDP 09/11 | REVISED - |
| ESCA PROJECT NO. 988.08            | CHECKED - JTS 09/11  | REVISED - |
| PLOT SCALE = 1/4" = 1'-0"          | DRAWN - DWH 11/11    | REVISED - |
| PLOT DATE = 11/16/2011 10:01:04 AM | CHECKED - RDP 11/11  | REVISED - |

**STATE OF ILLINOIS  
DEPARTMENT OF TRANSPORTATION**

**TEMPORARY SUPPORT SYSTEM DETAILS  
STRUCTURE NO. 039-2028**

SHEET NO. 3 OF 10 SHEETS

| F.A.P. RTE.        | SECTION | COUNTY  | TOTAL SHEETS | SHEET NO. |
|--------------------|---------|---------|--------------|-----------|
| 312                | 123B-3  | JACKSON | 58           | 39        |
| CONTRACT NO. 78197 |         |         |              |           |

ILLINOIS FED. AID PROJECT