

03-09-12 LETTING ITEM 082

STATE OF ILLINOIS
DEPARTMENT OF TRANSPORTATION
DIVISION OF HIGHWAYS
PROPOSED
CONTRACT MAINTENANCE

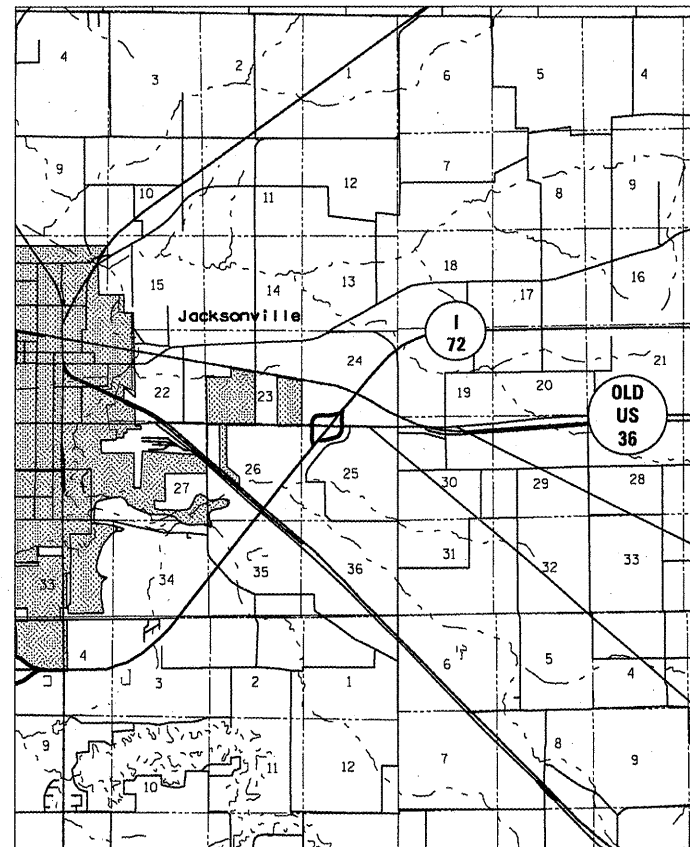
FOR INDEX OF SHEETS, SEE SHEET NO. 2

FAS 1613 (OLD US 36)
SECTION (25)RS-9,1-3

MORGAN

C-96-005-12

R 10 W



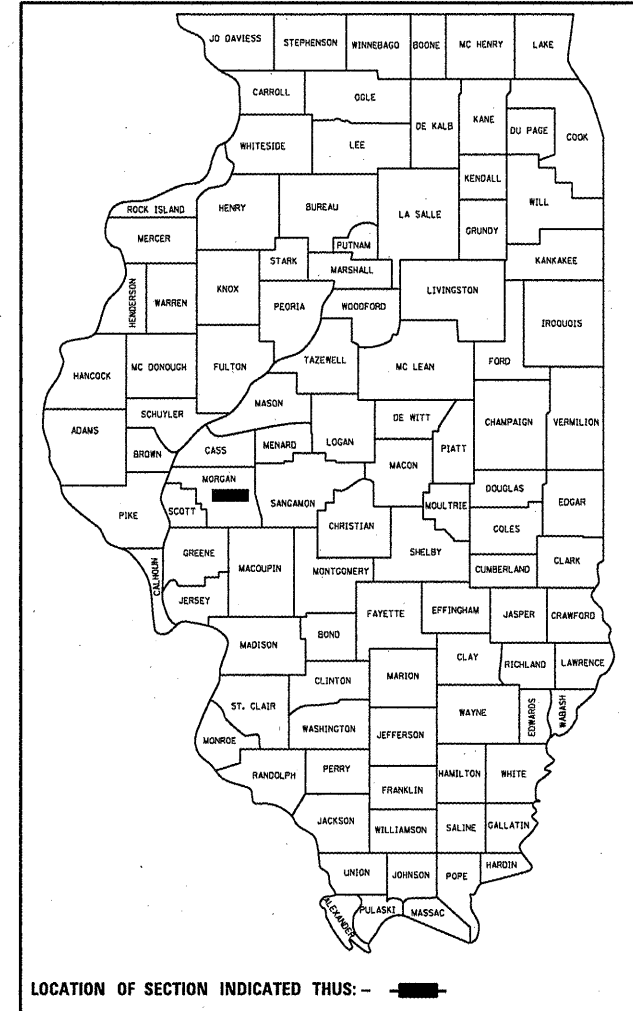
END PROJECT
STA. 42 + 97.00

STA. EQ.
1435 + 40bk = 9 + 39.00ah

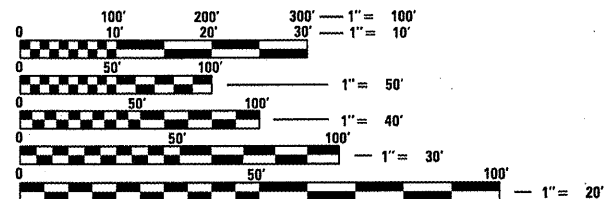
BEGIN PROJECT
STA. 1449 + 50.00

F.A.S. RTE.	SECTION	COUNTY	TOTAL SHEETS	SHEET NO.
1613	(25)RS-9,1-3	MORGAN	9	1
FED. ROAD DIST. NO.	ILLINOIS	CONTRACT NO. 72E68		

D-96-005-12



LOCATION OF SECTION INDICATED THUS: - [black rectangle] -



FULL SIZE PLANS HAVE BEEN PREPARED USING STANDARD ENGINEERING SCALES. REDUCED SIZED PLANS WILL NOT CONFORM TO STANDARD SCALES. IN MAKING MEASUREMENTS ON REDUCED PLANS, THE ABOVE SCALES MAY BE USED.

J.U.L.I.E.
JOINT UTILITY LOCATION INFORMATION FOR EXCAVATION
1-800-892-0123
OR 811

PLAN AND CONTRACT TECHNICIAN
TIMOTHY SHARP (217)782-7743

CONTRACT NO. 72E68

GROSS LENGTH = 4,768.00 FT. = 0.903 MILE

STATE OF ILLINOIS
DEPARTMENT OF TRANSPORTATION
DIVISION OF HIGHWAYS

SUBMITTED December 15 20 11
Ryan Z. Saha
DEPUTY DIRECTOR OF HIGHWAYS, REGION ENGINEER

Feb 3 20 12
John D. Baranzelli, P.E.
acting ENGINEER OF DESIGN AND ENVIRONMENT

Feb 3 20 12
William R. Frazer
acting DIRECTOR OF HIGHWAYS, CHIEF ENGINEER

PRINTED BY THE AUTHORITY
OF THE STATE OF ILLINOIS

INDEX

- 1 COVER
- 2 INDEX/STANDARDS/SIGNATURES
- 3-4 QUANTITIES
- 5 LOCATION MAP
- 6 TYPICAL SECTIONS
- 7 SCHEDULES
- 8 BUTT JOINT DETAILS
- 9 SAFETY EDGE DETAILS

STANDARDS

- 442101-07
- 701001-02
- 701006-03
- 701201-04
- 701301-04
- 701306-03
- 701311-03
- 701901-02
- 780001-03

STATE OF ILLINOIS DEPARTMENT OF TRANSPORTATION DIVISION OF HIGHWAYS DISTRICT 6	
EXAMINED	<u>Dec 12</u> 20 <u>11</u>
	<u><i>Paul Reynolds</i></u> ENGINEER OF OPERATIONS
EXAMINED	<u>DEC 7</u> 20 <u>11</u>
	<u><i>Jimmy Ford</i></u> ENGINEER OF PROJECT IMPLEMENTATION
EXAMINED	<u>December 9</u> 20 <u>11</u>
	<u><i>ARMW</i></u> ENGINEER OF PROGRAM DEVELOPMENT

INDEX/STANDARDS/SIGNATURES
FAS 1613 (OLD US 36)
SECTION (25)RS-9,I-3
MORGAN COUNTY

S U M M A R Y O F Q U A N T I T I E S

CODE NO.	ITEM	UNIT	100% STATE
			0005
			TOTAL QTY
40600200	BITUMINOUS MATERIALS (PRIME COAT)	TON	4.5
40600300	AGGREGATE (PRIME COAT)	TON	23.5
40600895	CONSTRUCTING TEST STRIP	EACH	1
40600990	TEMPORARY RAMP	SQ YD	25
40603310	HOT-MIX ASPHALT SURFACE COURSE, MIX C, N50	TON	983
44000155	HOT-MIX ASPHALT SURFACE REMOVAL 1 1/2"	SQ YD	11,656
44200180	PAVEMENT PATCHING, TYPE II, 15 INCH	SQ YD	180
48101200	AGGREGATE SHOULDERS, TYPE B	TON	120
67100100	MOBILIZATION	L SUM	1
70100450	TRAFFIC CONTROL AND PROTECTION, STANDARD 701201	L SUM	1

QUANTITIES
FAS 1613 (OLD US 36)
SECTION (25)RS-9,I-3
MORGAN COUNTY

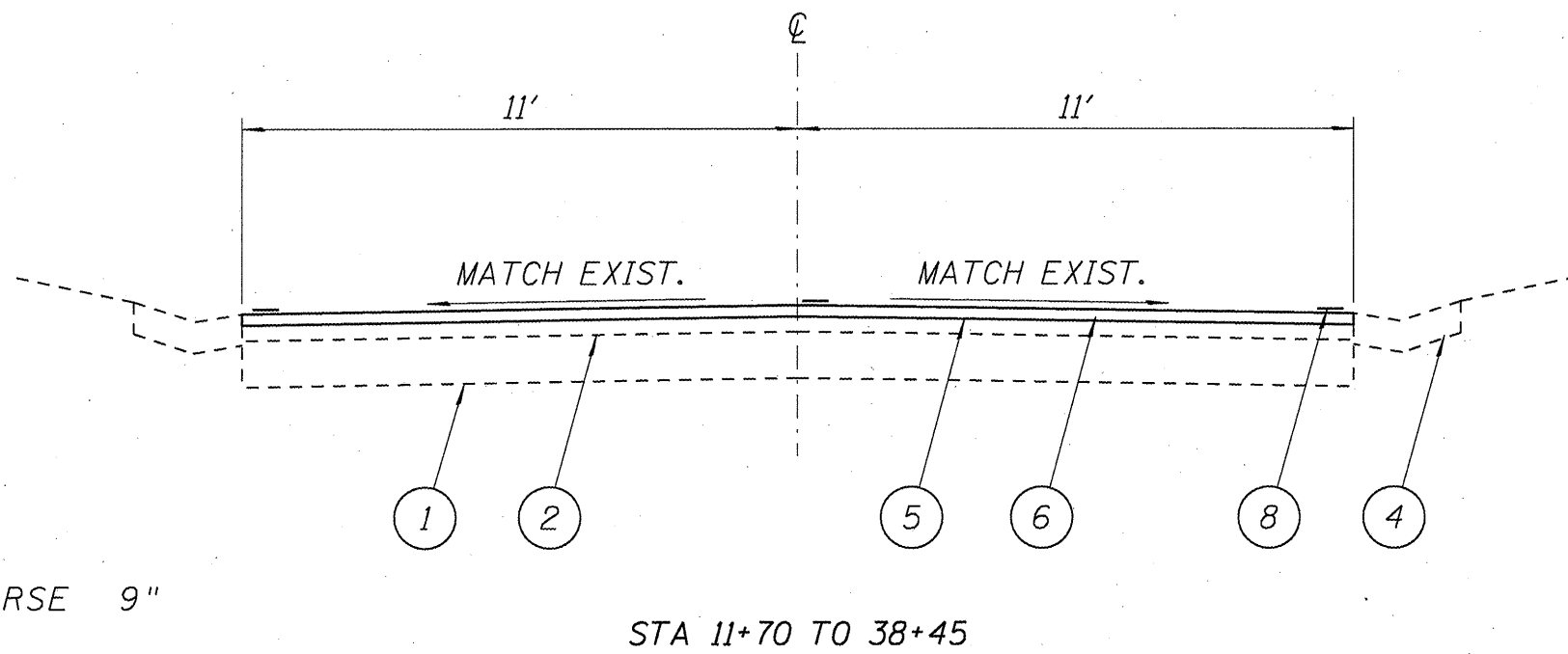
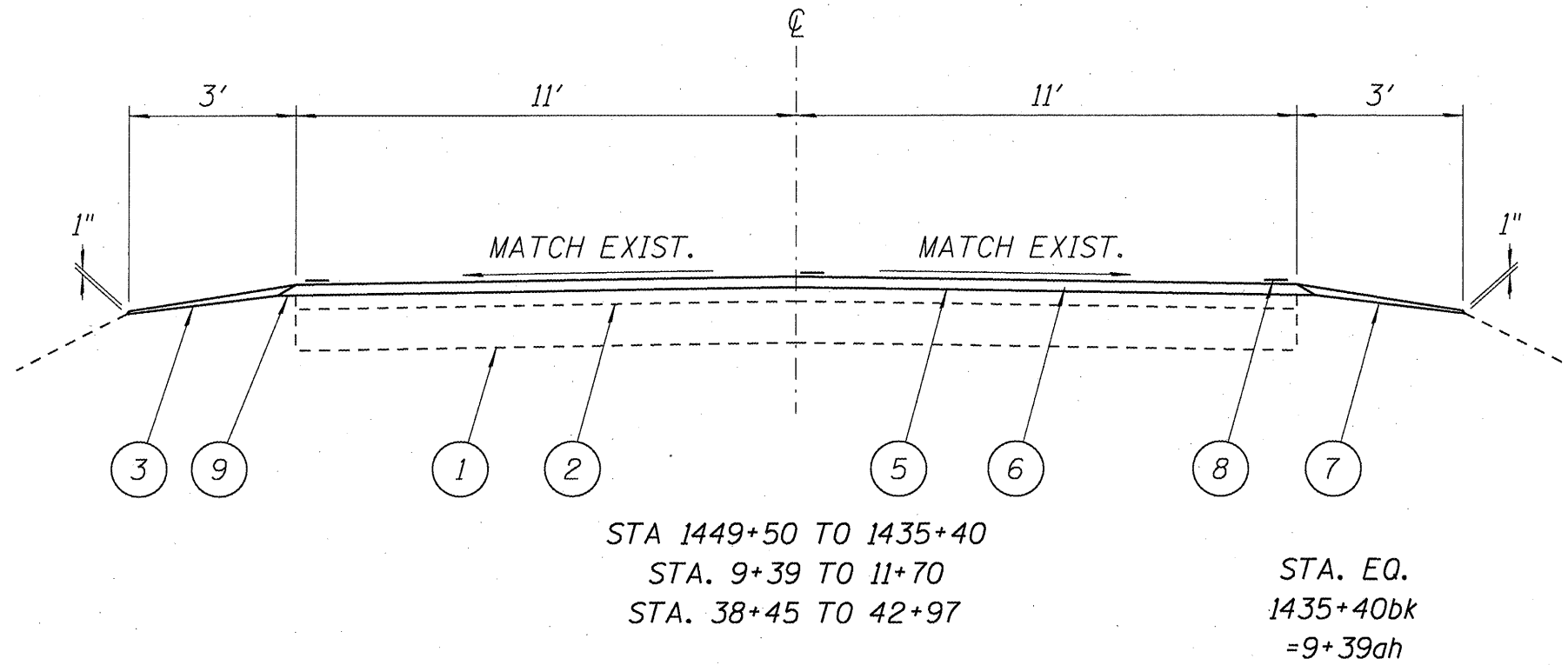
BEGIN PROJECT
STA. 1449+50



STA. EQ.
1435+40bk
=42+97ah

END PROJECT
STA. 42+97

PLAN
FAS 1613 (OLD US 36)
SECTION (25)RS-9,I-3
MORGAN COUNTY



LEGEND

- 1 - EX. P.C.C. BASE COURSE 9"
- 2 - EX. H.M.A. SURFACE
- 3 - EX. AGG. SHOULDER
- 4 - EX. P.C.C. GUTTER
- 5 - PR. H.M.A. SURFACE REMOVAL 1 1/2"
- 6 - PR. H.M.A. SURFACE COURSE, MIX C, N50 1 1/2"
- 7 - PR. AGGREGATE SHOULDERS, TY B
- 8 - PR. PAINT PAVEMENT MARKING, LINE 5"
- 9 - PR. SAFETY EDGE (SEE SHEET 9 FOR DETAILS)

TYPICAL SECTION
 FAS 1613 (OLD US 36)
 SECTION (25)RS-9,I-3
 MORGAN COUNTY

PAVEMENT MARKING SCHEDULE			
STATION	TYPE	PAINT PAVEMENT MARKING LINE 5"	
		WHITE	YELLOW
STA. 1449+50 TO 1435+40	SKIP DASH		350 FT
STA. 9+39 TO 11+70	SKIP DASH		60 FT
LT STA. 11+70 TO 21+24	SKIP DASH		240 FT
RT STA. 11+70 TO 37+05	NO PASS		2,535 FT
LT STA. 21+24 TO 42+97	NO PASS		2,173 FT
RT STA. 37+05 TO 42+97	SKIP DASH		150 FT
LT & RT STA. 1449+50 TO 1435+40	EDGE LINE	2,820 FT	
LT & RT STA. 9+39 TO 42+97	EDGE LINE	6,716 FT	
TOTALS		9,536 FT	5,508 FT

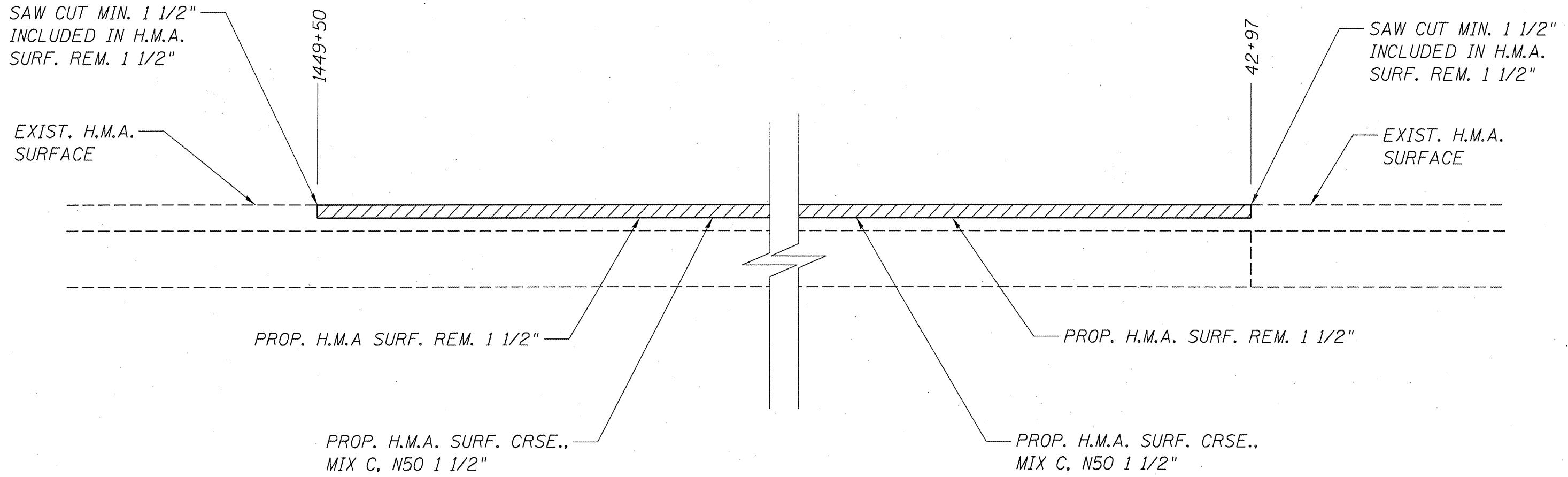
STA. EQ. 1435+40bk=9+39ah

MIXTURE REQUIREMENTS		
THE FOLLOWING MIXTURE REQUIREMENTS ARE APPLICABLE FOR THIS PROJECT		
MIXTURE USE(S):	H.M.A. S.C., MIX C, N50	PAVEMENT PATCHING
AC/PG	PG 64-22	PG 64-22
DESIGN AIR VOIDS:	4.0% @ N DESIGN = 50	4% @ N DESIGN = 50
MIXTURE COMP:	IL 9.5 OR 12.5	IL 19.0
FRICITION AGG:	MIX "C"	N/A

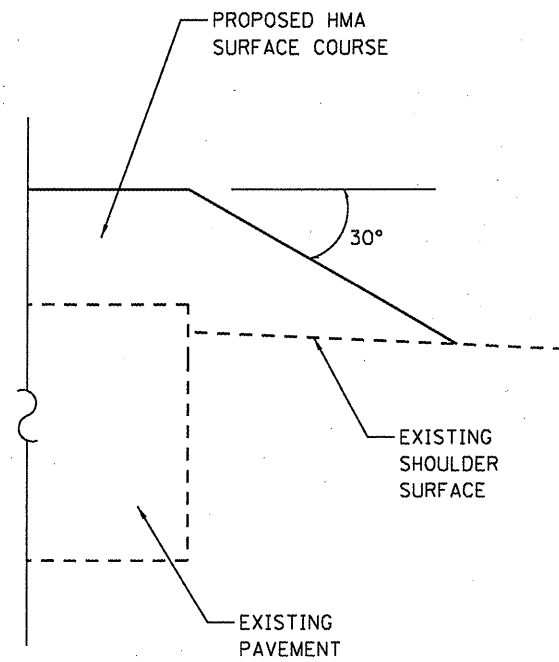
NOTES:

1. STATIONS ARE APPROXIMATE.

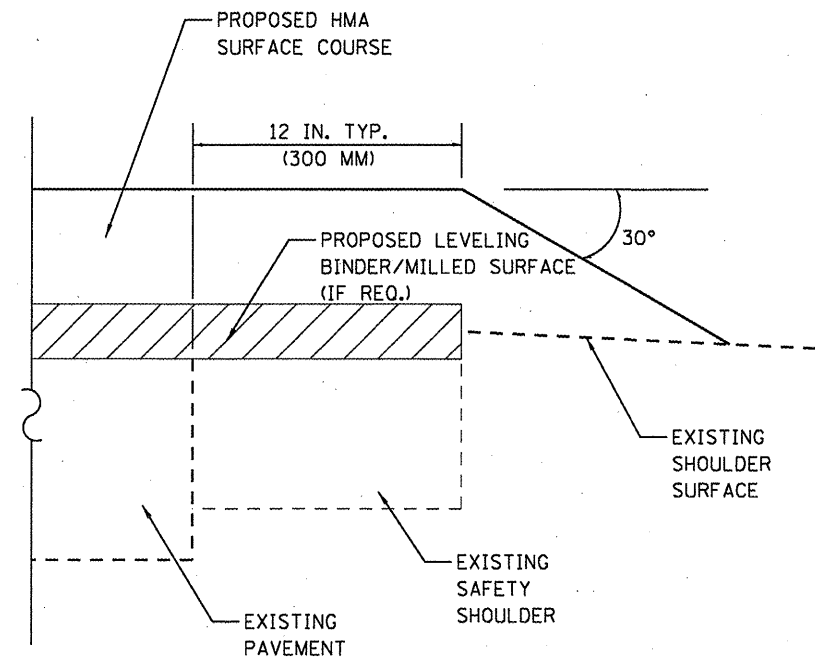
SCHEDULES
FAS 1613 (OLD US 36)
SECTION (25)RS-9.1-3
MORGAN COUNTY



BUTT JOINT
FAS 1613 (OLD US 36)
SECTION (25)RS-9,I-3
MORGAN COUNTY



SAFETY EDGE AT EDGE OF EXISTING PAVEMENT



SAFETY EDGE AT EDGE OF EXISTING SAFETY SHOULDER

SAFETY EDGE DETAILS
FAS 1613 (OLD US 36)
SECTION (25)RS-9.1-3
MORGAN COUNTY