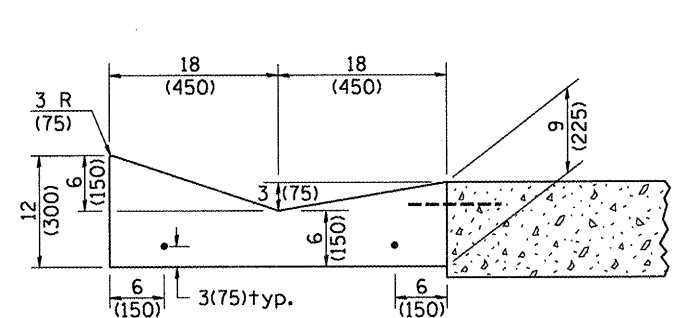


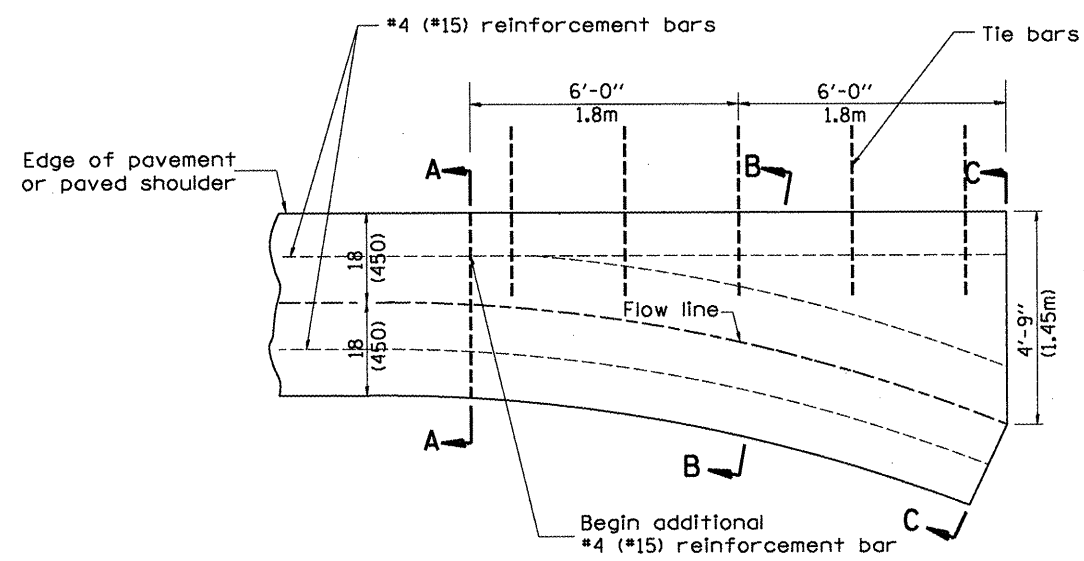
SHOULDER EDGE GUTTER

PAVEMENT EDGE GUTTER

TYPE A GUTTER (MODIFIED)



SECTION A-A

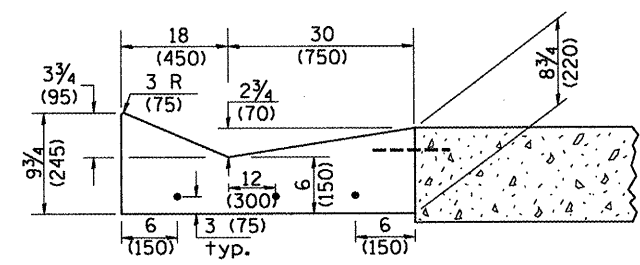


PLAN

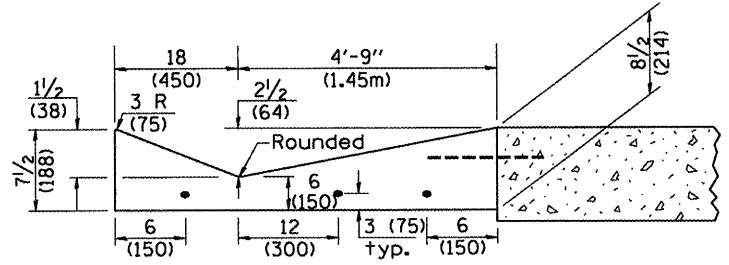
QUANTITY
Section C-C to A-A= 1.2 cu. yd.
(0.92 m³) concrete.

GENERAL NOTES:

1. TYPE A GUTTER (MODIFIED) shall conform to the applicable portions of Section 606.
2. Tie bars shall be No. 6 (No. 20) at 24" (600mm) centers unless otherwise shown.
3. Gutter, gutter inlets, gutter outlets, and gutter entrances shall be tied to rigid pavement in accordance with details shown on Standard 420001.
4. Joints shall be constructed in accordance with Article 606.06.
5. Welded wire fabric shall conform to Article 1006.10(c)(1), and shall not be less than 58 lbs/100 sq.ft. (2.83 kg/m²).



SECTION B-B



SECTION C-C

INLET

QUANTITIES	
CALC. BY:	DATE:
CHECKED BY:	DATE:
QUANTITY CALCULATIONS ARE ON FILE AT THE DISTRICT 4 OFFICE; BUREAU OF PROJECT IMPLEMENTATION; DOCUMENTATION SECTION	

NO.	DESCRIPTION	T.P.	DATE	REVISION	M.A.
01-01-97	RENUM. A-1.02, NEW REVISION BOX, ELIMINATED	T.P.	01-10-07	REVISED QUANTITY	M.A.
	EXPANSION ANCHOR TIES		11-16-07	REVISED QUANTITY	M.A.
02-28-02	ENTRANCE TYPICALS REVISED	M.A.			
10-16-06	REVISED TO 2007 SPEC.	M.A.			

STATE OF ILLINOIS
DEPARTMENT OF TRANSPORTATION

TYPE A GUTTER, (MODIFIED)
(INLET, OUTLET & ENTRANCE)

NOT TO SCALE

SHT. 1 OF 3
CADD STD. 606101-D4

All dimensions are in Inches (millimeters) unless otherwise noted.

F.A.P. RTE.	SECTION	COUNTY	TOTAL SHEETS	SHEET NO.
399	(35,36IN-1)	TAZEWELL	60	49
FED. ROAD DIST. NO. ILLINOIS FED. AID PROJECT			CONTRACT NO. 68A66	