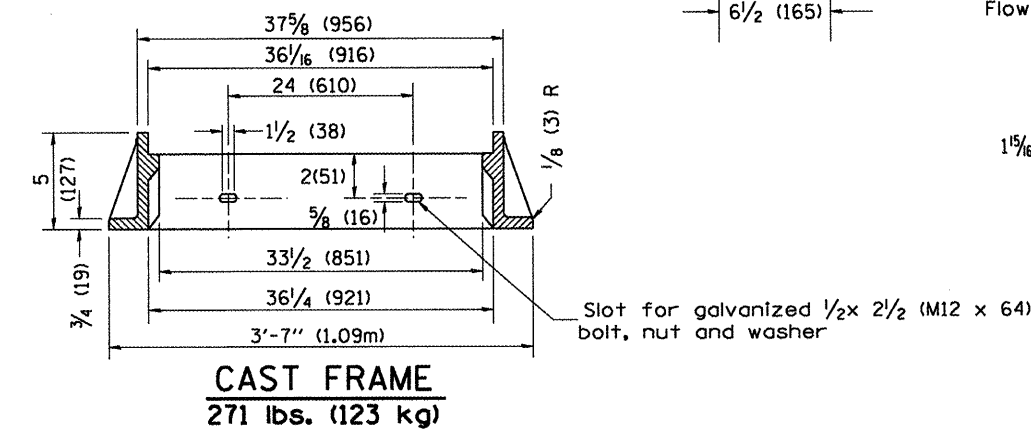


CAST DIAGONAL GRATE
(Reversible for flow)
217 lbs. (98 kg)



NOTE: Flow right shown

GENERAL NOTES

1. The frame and grate shown on this drawing are for use with all TYPE G-1 and TYPE G-1, SPECIAL DRAINAGE STRUCTURES. See plans for grate type and flow direction.
2. Flow direction: As viewed from street side.
3. Material: cast gray iron.

All dimensions are in inches (millimeters) unless otherwise noted.

01-01-97	RENUM. B-10.01, NEW REVISION BOX	T.P.
10-16-06	REVISED TO 2007 SPEC.	M.A.

STATE OF ILLINOIS
DEPARTMENT OF TRANSPORTATION

FRAME & GRATES FOR TYPE G-1 AND TYPE G-1,
SPECIAL DRAINAGE STRUCTURES

F.A.P. RTE.	SECTION	COUNTY	TOTAL SHEETS	SHEET NO.
399	(35,36)N-1	TAZEWELL	60	48
CONTRACT NO. 68A66				
FED. ROAD DIST. NO. [ILLINOIS] FED. AID PROJECT				

NOT TO SCALE

CADD STD. 604001-D4