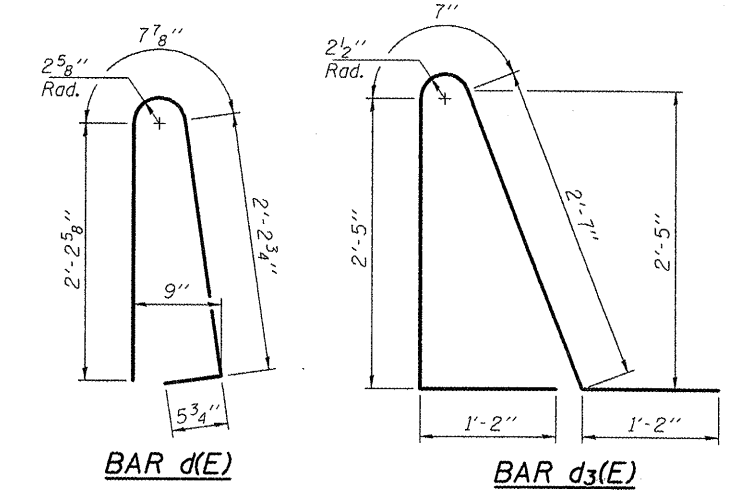
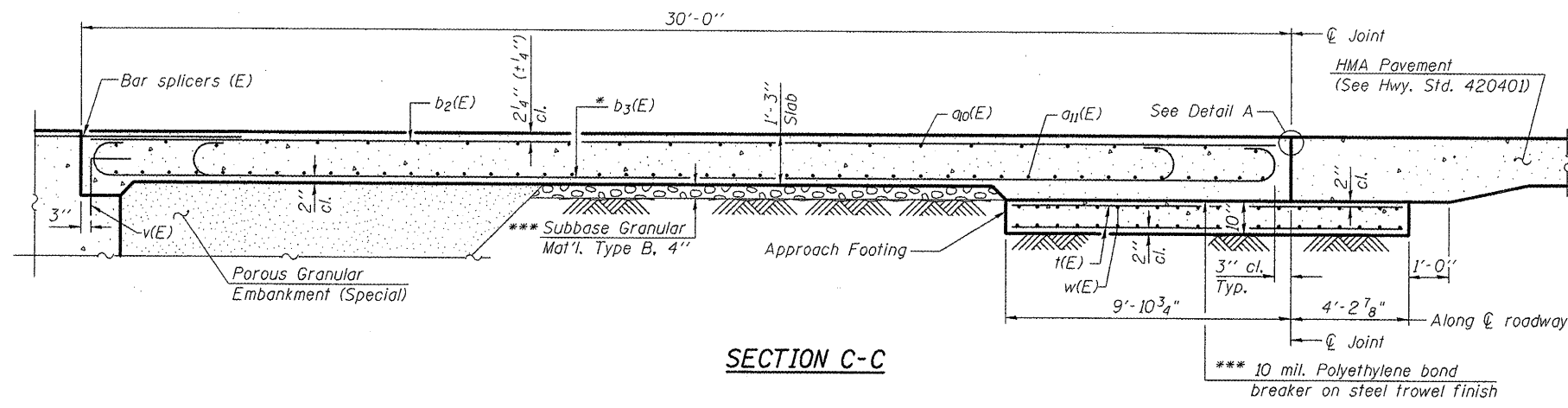
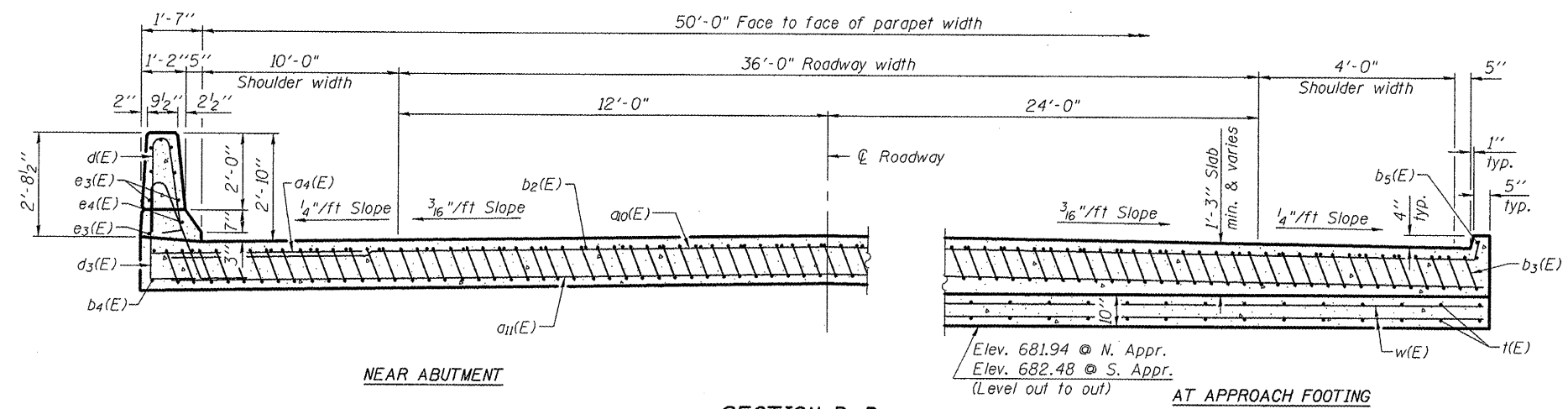


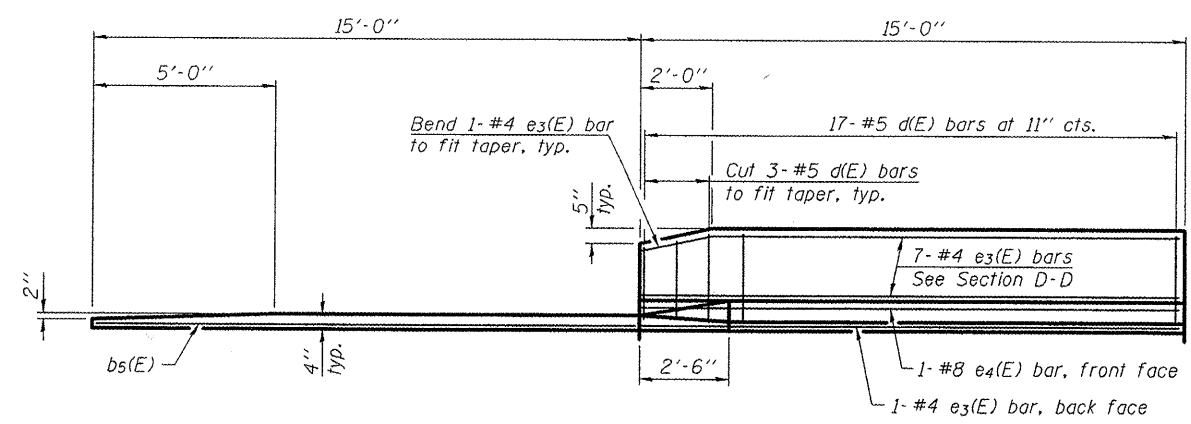
Notes:
 See sheet 18 of 35 for Detail A and View B-B.
 Approach slab and parapet concrete shall be paid for as Concrete Superstructure.
 Approach footing concrete shall be paid for as Concrete Structures.
 Reinforcement shall be paid for as Reinforcement Bars, Epoxy Coated.
 For v(E) bar details, see sheet 14 of 35.
 The approach footing maximum applied service bearing pressure (Omax) = 2.0 ksf.
 For bar splicer details, see sheet 30 of 35.
 Cost of excavation for approach footing included with Concrete Structures.
 For Porous Granular Embankment (Special) and drainage treatment details, see sheet 2 of 35.
 For additional parapet details, see sheet 14 of 35.



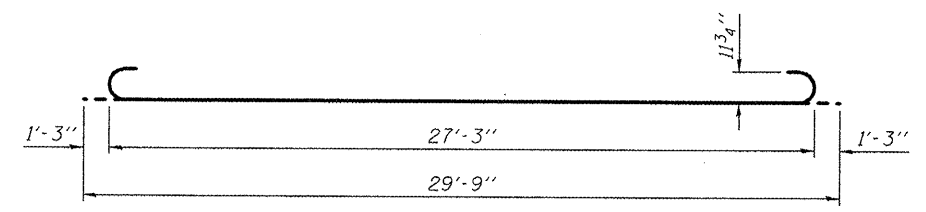
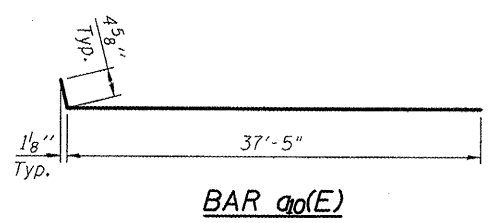
* Tilt #9 b3(E) bars as required to maintain clearance.
 *** Cost included with Concrete Superstructure.



SECTION D-D
 (See Plan for dimensions not shown)



VIEW E-E



**TWO APPROACHES
 BILL OF MATERIAL**

Bar	No.	Size	Length	Shape
a0(E)	48	#6	6'-6"	—
a1(E)	100	#4	37'-10"	—
a11(E)	184	#5	38'-2"	—
b2(E)	82	#4	29'-8"	—
b3(E)	238	#9	29'-9"	—
b4(E)	4	#4	14'-8"	—
b5(E)	4	#4	14'-2"	—
d(E)	68	#5	5'-7"	U
d3(E)	68	#5	7'-11"	U
e3(E)	32	#4	14'-8"	—
e4(E)	4	#8	14'-8"	—
f(E)	212	#4	13'-11"	—
w(E)	160	#5	38'-2"	—
Concrete Superstructure	Cu. Yd.		162.8	
Concrete Structures	Cu. Yd.		45.2	
Reinforcement Bars, Epoxy Coated	Pound		45,860	