

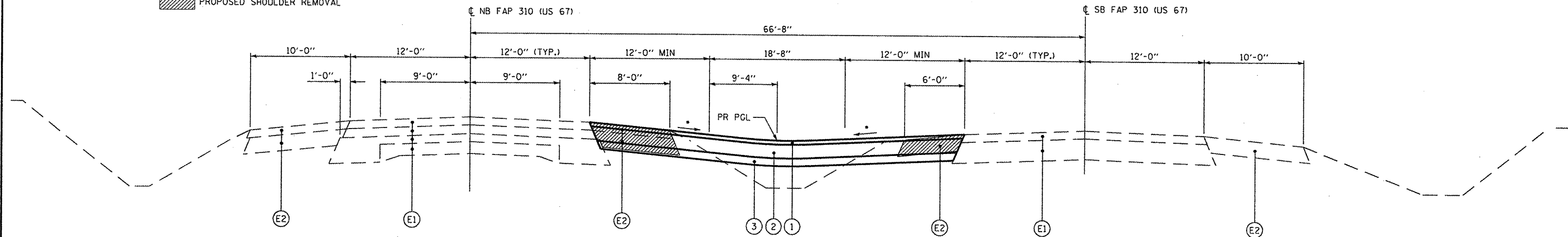
PRE-STAGE 1 TYPICAL CROSSOVER SECTION

NB LANES
 STA 140+50.00 TO STA 142+65.62
 STA 145+48.39 TO STA 150+63.40
 STA 154+42.20 TO STA 161+18.22
 STA 164+03.69 TO STA 166+40.00

SB LANES
 STA 140+50.00 TO STA 142+65.62
 STA 145+48.39 TO STA 147+20.00
 STA 159+45.00 TO STA 161+18.22
 STA 164+03.69 TO STA 166+40.00

LEGEND

- (E1) EXISTING HOT-MIX ASPHALT/PCC PAVEMENT
- (E2) EXISTING HOT-MIX ASPHALT/STABILIZED SHOULDERS
- (1) PROPOSED HOT-MIX ASPHALT SURFACE COURSE, 2"
- (2) PROPOSED HOT-MIX ASPHALT BINDER COURSE, 7"
- (3) PROPOSED SUB-BASE GRANULAR MATERIAL, TYPE C, 4"
- (4) PROPOSED SUB-BASE GRANULAR MATERIAL, TYPE B, 4"
- (5) PROPOSED AGGREGATE SHOULDERS, TYPE B
- (6) PROPOSED TOPSOIL, 4"
- [Hatched Box] PROPOSED SHOULDER REMOVAL



PRE-STAGE 1 TYPICAL CROSSOVER SECTION

NB LANES AND SB LANES
 STA 142+65.62 TO STA 145+48.39
 STA 161+18.22 TO STA 164+03.69

NOTE:
 • - 2.0% AND VARIES TO MATCH PROFILE GRADE

FILE NAME =	USER NAME = seb	DESIGNED -	REVISED -	STATE OF ILLINOIS DEPARTMENT OF TRANSPORTATION	MAINTENANCE OF TRAFFIC TYPICAL SECTIONS	F.A.P. RTE.	SECTION	COUNTY	TOTAL SHEETS	SHEET NO.
p:\07files\070286\phase2\cadd sheets\048691-sh1-typsec-crossover.dgn	DRAWN -	REVISED -	310			(38B-2)BR	MCDONOUGH	130	27	
PLOT SCALE = 41.2487' / IN.	CHECKED -	REVISED -	CONTRACT NO. 68691							
PLOT DATE = 12/7/2011	DATE -	REVISED -	ILLINOIS FED. AID PROJECT							
					SCALE: none	SHEET NO. 1 OF 18 SHEETS		STA.	TO STA.	