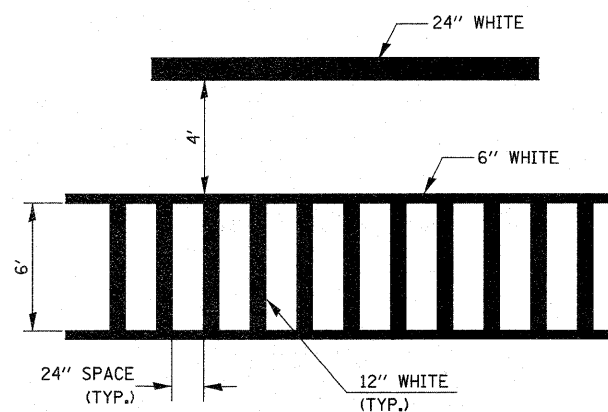
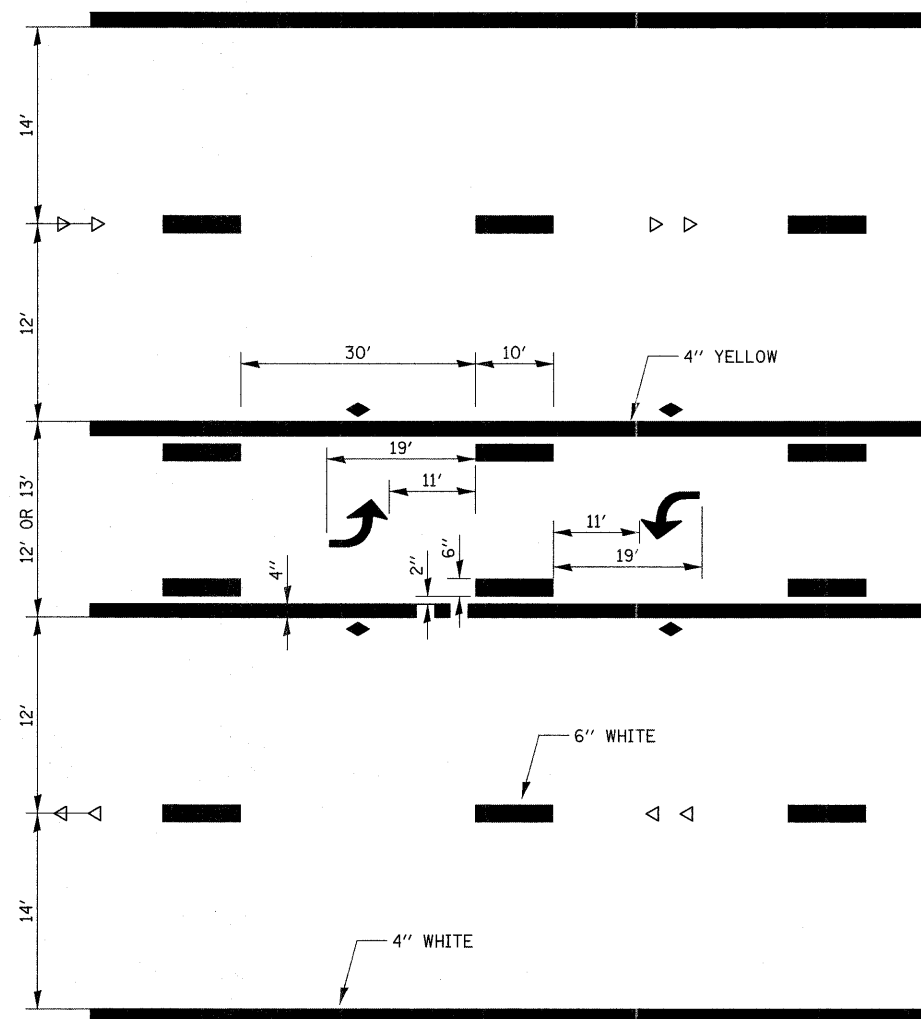


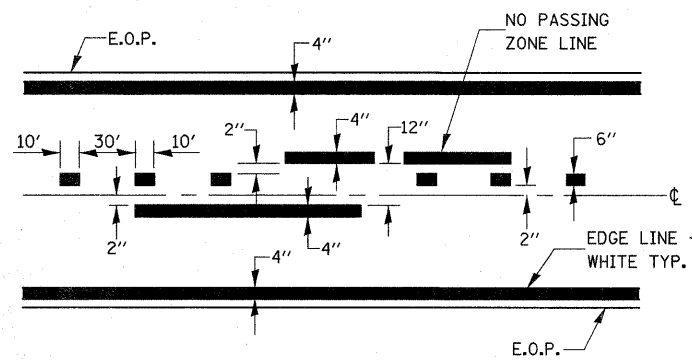
TYPICAL SPACING DETAIL FOR CROSSWALKS AND STOP BARS



TYPICAL SPACING DETAIL FOR CROSSWALKS AND STOP BARS

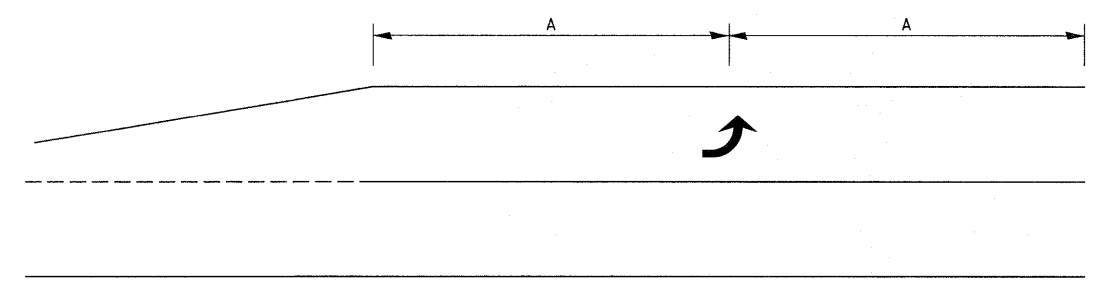


TYPICAL APPLICATION TWO WAY LEFT TURN LANE (TWLTL)

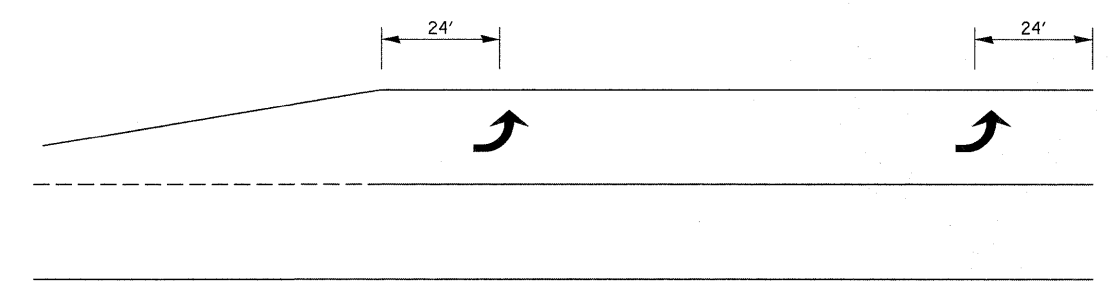


CENTERLINE & NO PASSING ZONE LINES - YELLOW (SEE TYPICAL SECTIONS)

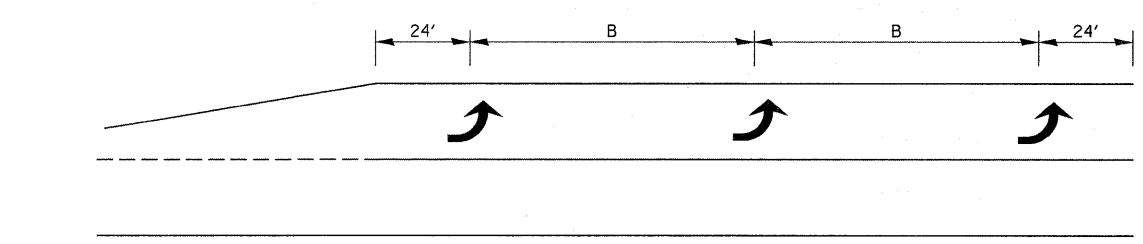
PAVEMENT MARKING



99' AND UNDER



100' TO 149'



150' AND LONGER

TYPICAL PLACEMENT OF ARROWS IN TURN LANES

URBAN PAVEMENT MARKING

FILE NAME =	USER NAME = leof.jw	DESIGNED -	REVISED -	STATE OF ILLINOIS DEPARTMENT OF TRANSPORTATION	DETAILS					F.A.P. RTE.	SECTION	COUNTY	TOTAL SHEETS	SHEET NO.
cd\pw_work\pwsdot\qasgleym\02262391\ED06504-shd-details.dgn		DRAWN -	REVISED -		330	(1,1R-2)RS	KANKAKEE	54	53					
PLOT SCALE = 50,0000' / 1" =		CHECKED -	REVISED -		CONTRACT NO. 66477									
PLOT DATE = 12/20/2011		DATE -	REVISED -		ILLINOIS FED. AID PROJECT									
				SCALE:	SHEET NO.	OF	SHEETS	STA.	TO STA.					