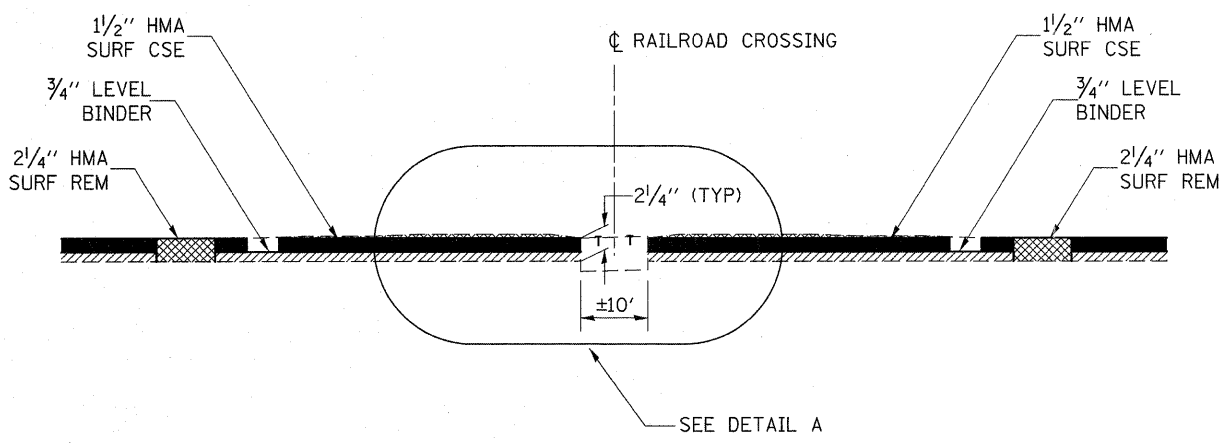
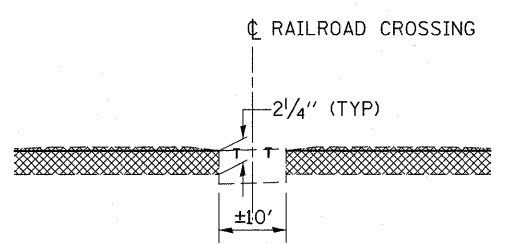


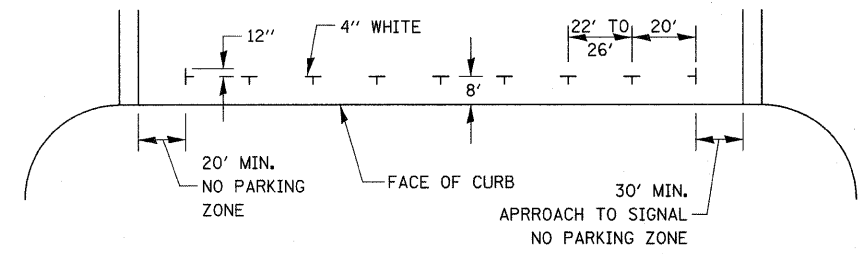
**PLAN VIEW AT THE IL 17 - KB & S
RAILROAD GRADE CROSSING**
(DOT/AAR NO. 533 142 N)



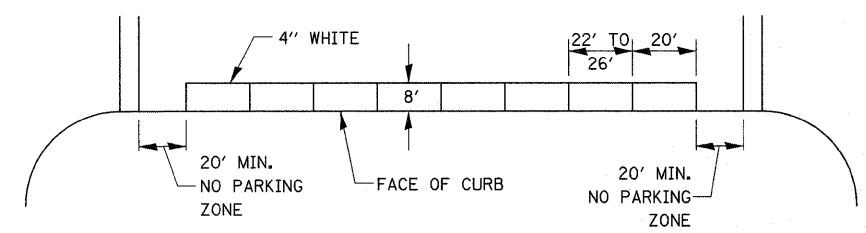
**MILLING DETAIL AT THE IL 17 - KB & S
RAILROAD GRADE CROSSING**
(DOT/AAR NO. 533 142 N)



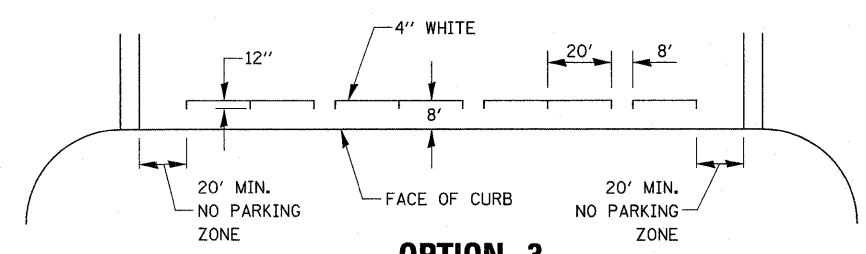
DETAIL A



PREFERRED METHOD



OPTION 2



OPTION 3

TYPICAL PARKING SPACING

| | | | | | | | | | | | | |
|---|---------------------|------------|-----------|---|----------------|-----|------------|---------------------------|---------|--------|--------------|-----------|
| FILE NAME = | USER NAME = leef.jw | DESIGNED - | REVISED - | STATE OF ILLINOIS DEPARTMENT OF TRANSPORTATION | DETAILS | | | F.A.P. RTE. | SECTION | COUNTY | TOTAL SHEETS | SHEET NO. |
| cd:\pw\work\pwsdot\quigley\1\0282391\ED086604-shr-details.dgn | | DRAWN - | REVISED - | | SCALE: | 330 | (1,1R-2)RS | KANKAKEE | 54 | 50 | | |
| PLOT SCALE = 50.0000' / 1in. | | CHECKED - | REVISED - | | SHEET NO. | OF | SHEETS | STA. | TO | STA. | | |
| PLOT DATE = 12/20/2011 | | DATE - | REVISED - | | | | | ILLINOIS FED. AID PROJECT | | | | |