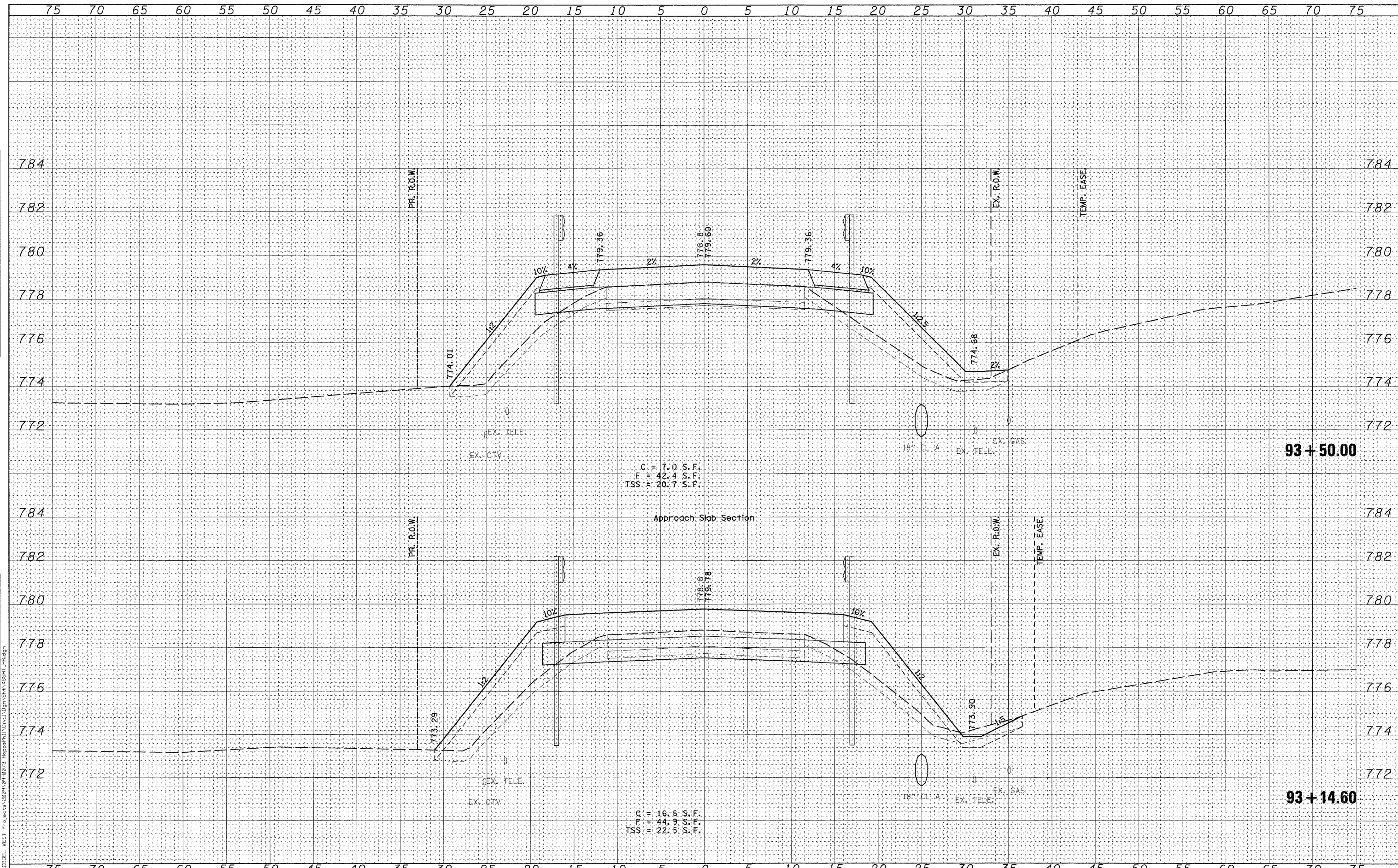


DATE	
BY	
FINAL SURVEY	
NOTE BOOK	
NO.	
AREAS CHECKED	

DATE	
BY	
ORIGINAL SURVEY	
NOTE BOOK	
NO.	
AREAS CHECKED	



WILLS BURKE KELSEY ASSOCIATES LTD.
116 West Main Street, Suite 201
St. Charles, Illinois 61774

USER NAME = rparis	DESIGNED - KMA	REVISED -
PLOT SCALE =	DRAWN - NDP	REVISED -
PLOT DATE = 12/16/2011	CHECKED - RPD	REVISED -
	DATE - 12/19/11	REVISED -

STATE OF ILLINOIS
DEPARTMENT OF TRANSPORTATION

CROSS SECTIONS HOPPS ROAD			
SCALE:	SHEET NO.	OF 80 SHEETS	STA. 93+14.60 TO STA. 93+50.00

T.R. RTE.	SECTION	COUNTY	TOTAL SHEETS	SHEET NO.
2442	04-08107-00-BR	KANE	80	74
FED. ROAD DIST. NO. ILLINOIS FED. AID PROJECT				CONTRACT NO. 63644