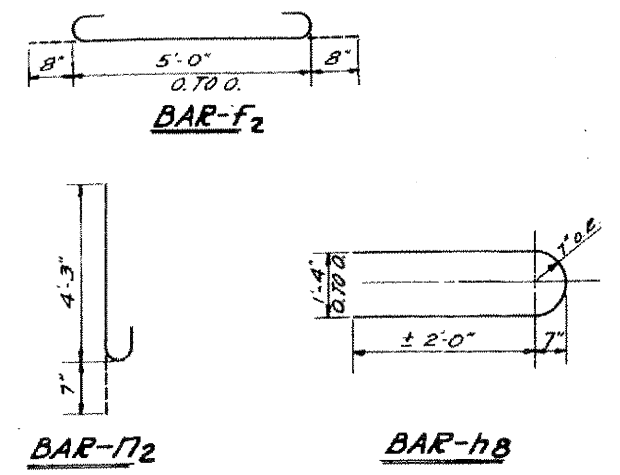
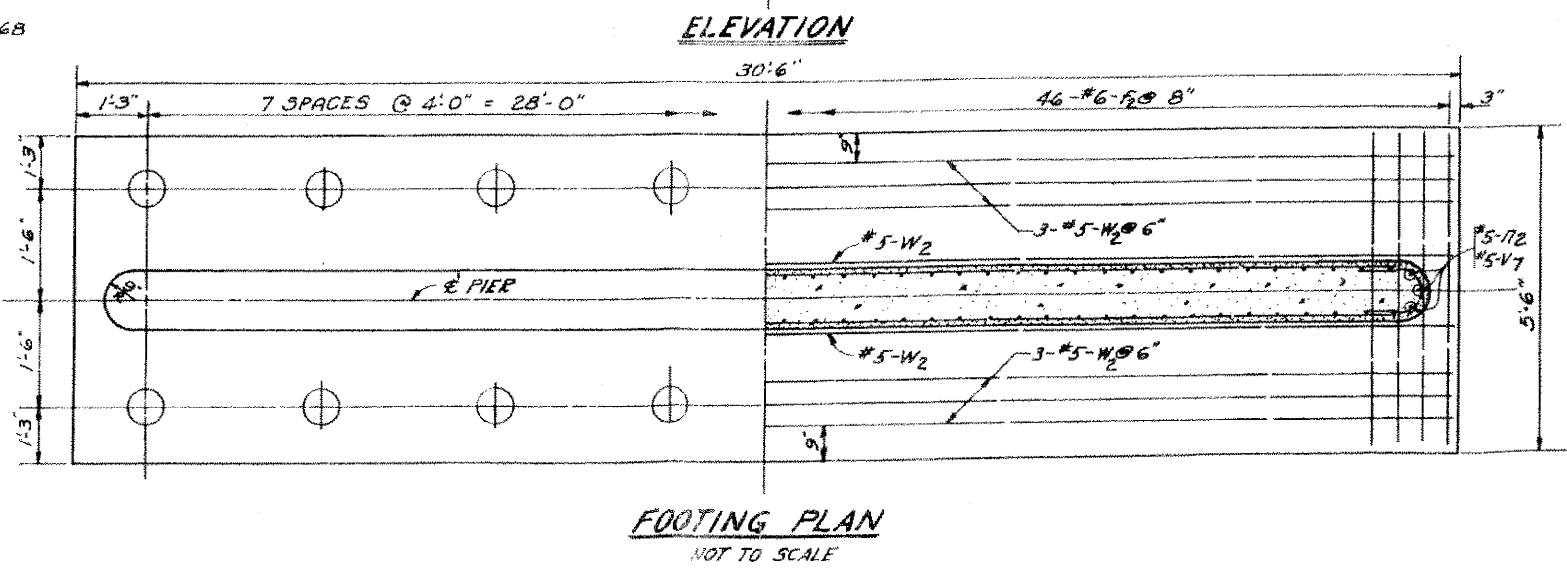
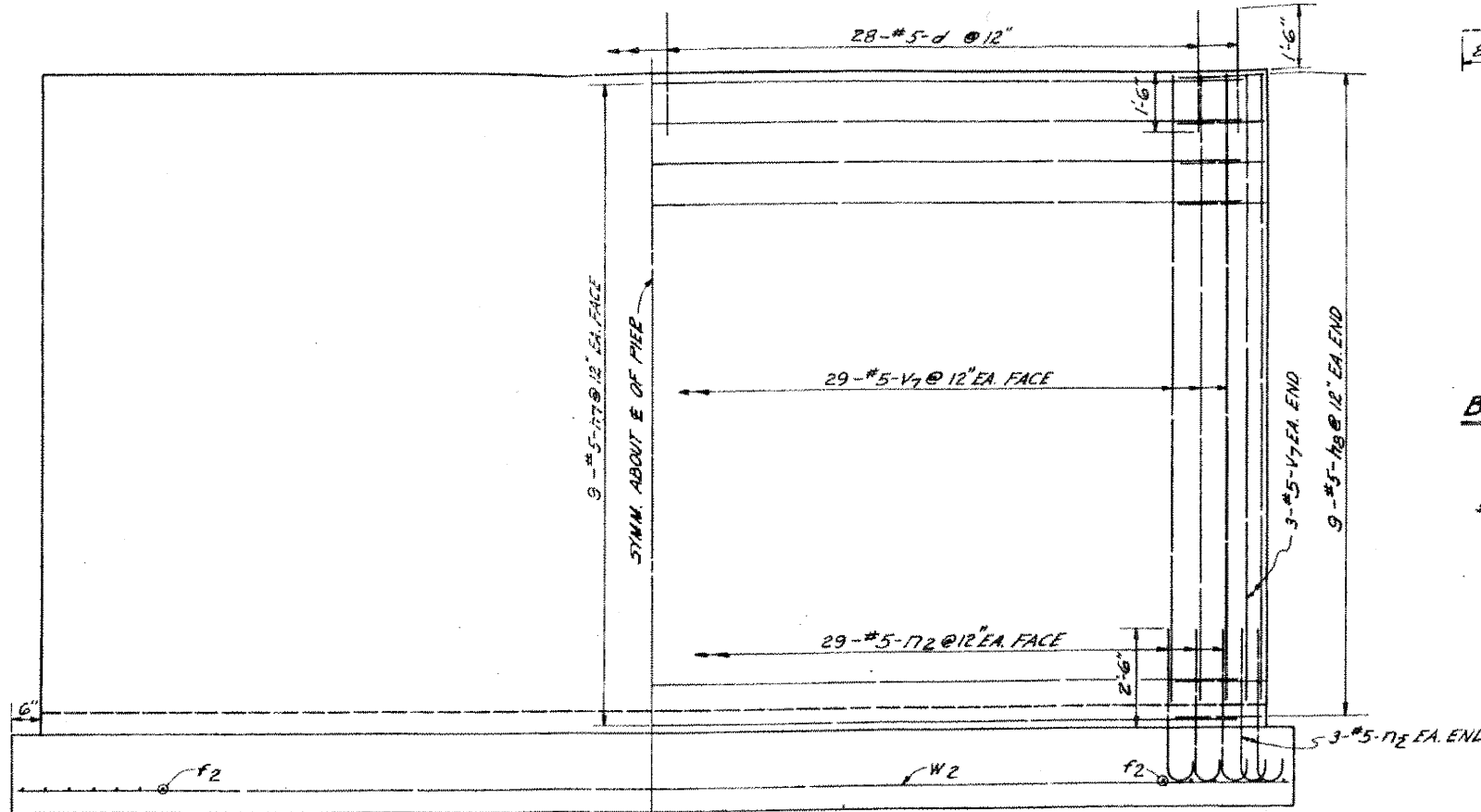
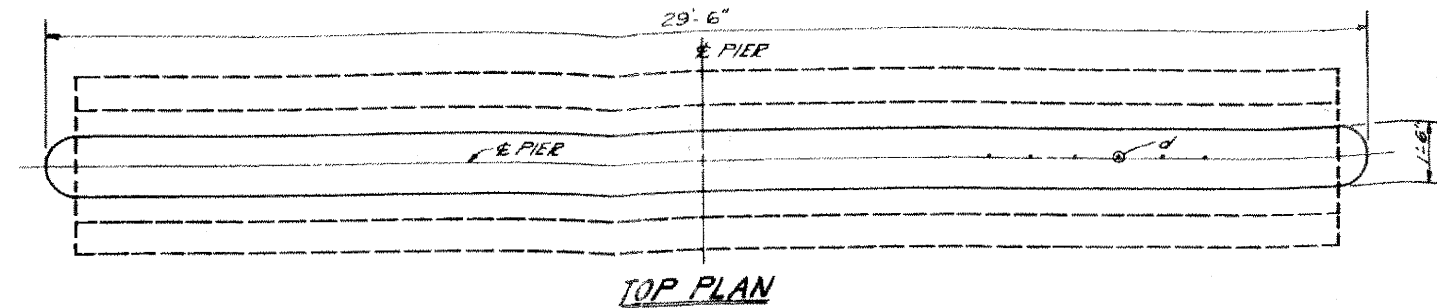
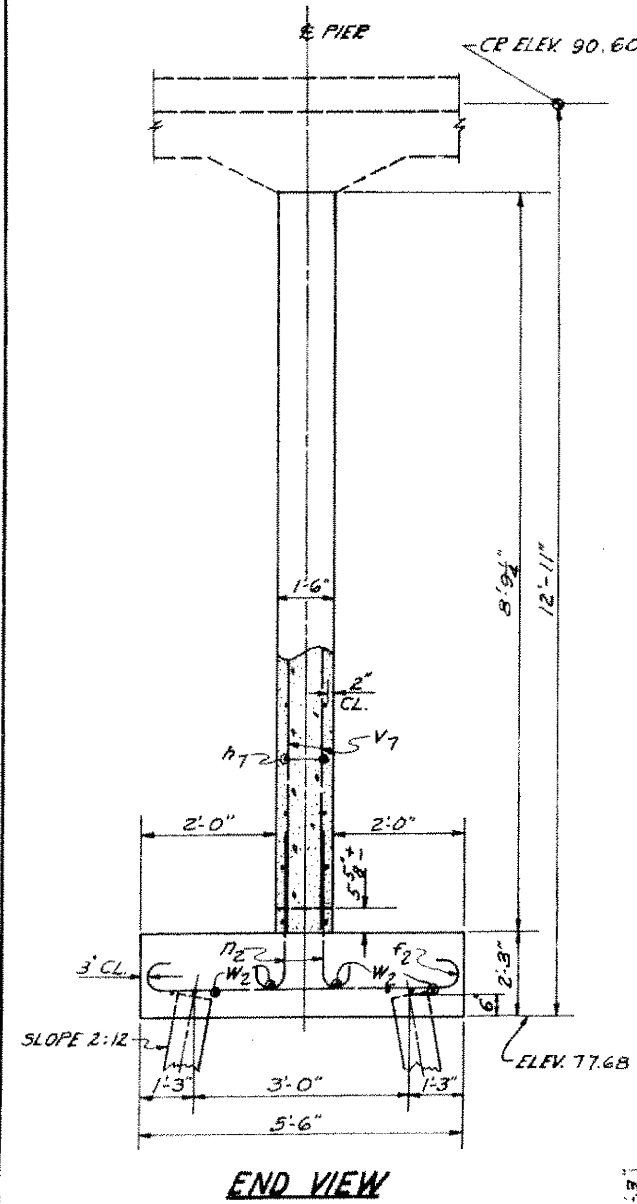


NOTE: THE DASH LINES SHOW THE CAP WHICH IS TO BE POURED MONOLITHICALLY WITH THE SLAB. FOR CAP DETAILS SEE BRIDGE SHEET NO.



**BILL OF MATERIAL - 1 PIER**

BAR	NO	SIZE	LENGTH	SHAPE
d	28	#5	3'-0"	
F2	46	#6	6'-4"	
h7	18	#5	28'-0"	
h8	18	#5	5'-10"	
W2	64	#5	4'-10"	
V7	64	#5	8'-2"	
W2	8	#5	30'-0"	
CLASS X CONCRETE			CU YDS	28.0
REINFORCEMENT BARS			LBS	2280
FURN. UNTR. PILES-UP TO 30'			LIN. FT.	240
DRIVING TIMBER PILES			LIN. FT.	240
TEST PILES			EACH	1
CLASS B EXCAV. FOR STRUCT.			CU YDS	49

**FILE DATA 1 PIER**  
 TYPE: UNTR. TIMBER  
 MIN. CAPACITY: 14 TONS  
 EST. LENGTH: 16 FT.  
 NO. REQUIRED: 15 + 1 TEST PILE  
 MIN. PENETRATION TO ELEV. 65.0



**BURTON BRIDGE**  
 KANE COUNTY  
 ELGIN ROAD DISTRICT  
 SECTION 107 & 118  
 STATION 92+52.50

FOR REFERENCE ONLY

FILE NAME = P:\CIBBEL WEST Projects\2009\09-0073 Hoppe\PHIL\Civil\11\Drawings\WBK\WBK.dwg

<b>WILLS BURKE KELSEY ASSOCIATES LTD.</b> 116 West Main Street, Suite 201 St. Charles, Illinois 60114	USER NAME = nparris PLOT SCALE = PLOT DATE = 12/16/2011	DESIGNED - DRAWN - CHECKED - RPD DATE - 12/19/11	REVISED - REVISED - REVISED - REVISED -	STATE OF ILLINOIS DEPARTMENT OF TRANSPORTATION	EXISTING STRUCTURE PLANS FOR REFERENCE ONLY	T.R. RTE. 2442 SECTION 04-08107-00-BR COUNTY KANE TOTAL SHEETS 80 SHEET NO. 55 CONTRACT NO. 63644
	SCALE: SHEET NO. 55 OF 80 SHEETS STA. TO STA.		45-6-1-5080		FED. ROAD DIST. NO. ILLINOIS FED. AID PROJECT	