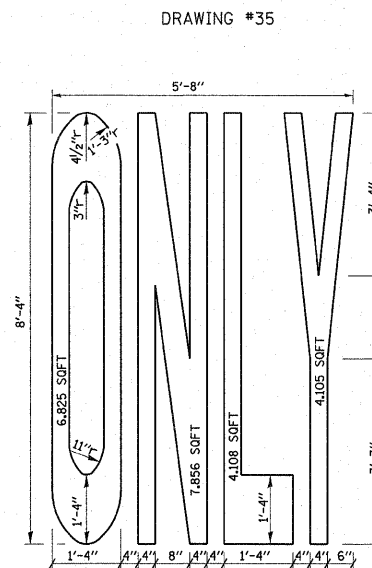
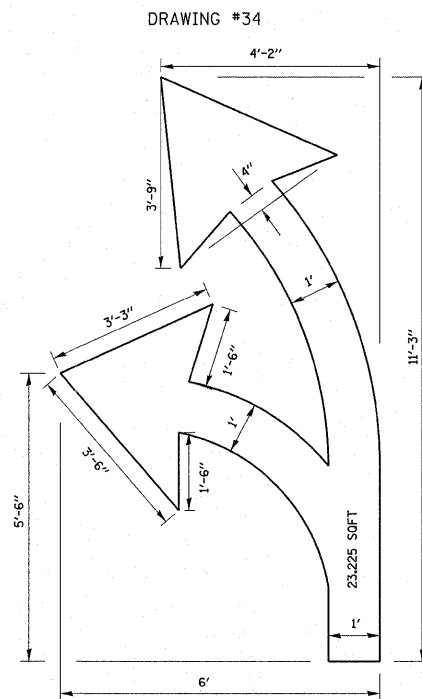
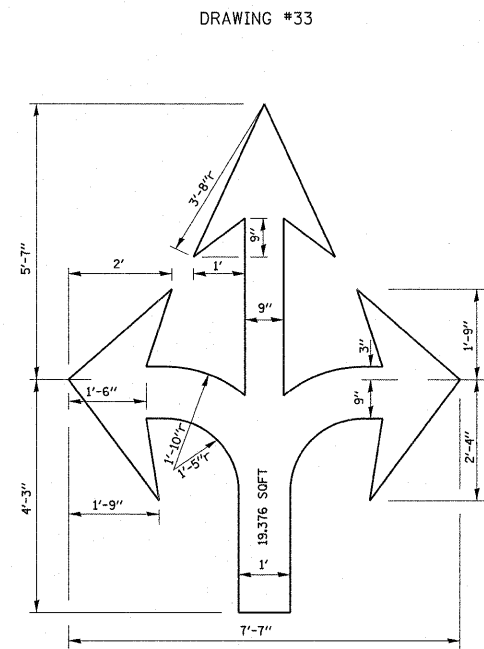
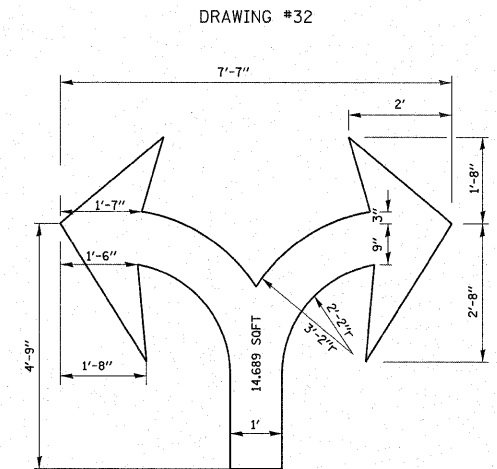
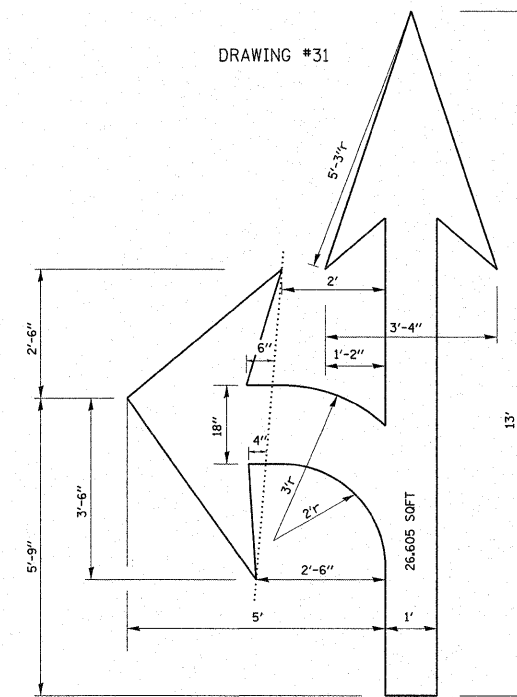
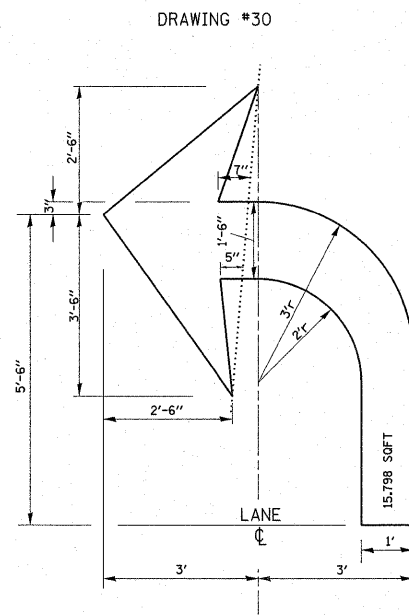
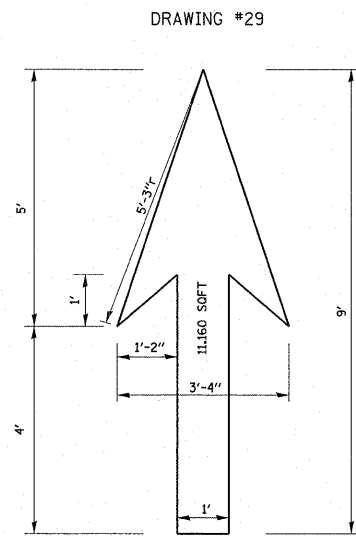


- NOTE:**
- FOR BIKE LANE SYMBOLS ONLY, USE PRE-FORMED THERMOPLASTIC WITH A MINIMUM THICKNESS OF 90 MILS, MINIMUM SKID RESISTANCE VALUE OF 60 BPN, & A MINIMUM INDEX OF REFRACTION OF 1.50.
 - THE RESIDENT ENGINEER SHALL CONTACT MR. BEN GOMBERG AT 312-744-8093 AT LEAST ONE CALENDAR WEEK PRIOR TO INSTALLING BIKE LANE SYMBOLS.

TYPICAL BIKE LANE SYMBOLS
DRAWING #28



NOTE: ALL MARKINGS SHALL BE SOLID WHITE UNLESS OTHERWISE NOTED IN THE PLANS

FILE NAME =	USER NAME = abebawa	DESIGNED -	REVISED - T. RAMMACHER 12-07-00
ci:\pw_work\pwidot\abebawa\d0284194\010611-sht-plan.dgn		DRAWN -	REVISED -
PLOT SCALE = 50,0000' / 1/16"		CHECKED -	REVISED -
PLOT DATE = 12/17/2011		DATE -	REVISED -

STATE OF ILLINOIS
DEPARTMENT OF TRANSPORTATION

CITY OF CHICAGO
TYPICAL PAVEMENT MARKINGS

SCALE: NONE SHEET NO. 2 OF 2 SHEETS STA. TO STA.

F.A.U. RTE.	SECTION	COUNTY	TOTAL SHEETS	SHEET NO.
3730	(1312,1314&3262) RS-5	COOK	32	30
TC-24		CONTRACT NO. 60R48		
FED. ROAD DIST. NO. 1 ILLINOIS FED. AID PROJECT				