

RTE.	SECTION	COUNTY	TOTAL SHEETS	SHEET NO.
T.R. 173	*	SHELBY	11	8
PROJECT BROS-173(144)				
* 01-18116-00-BR				

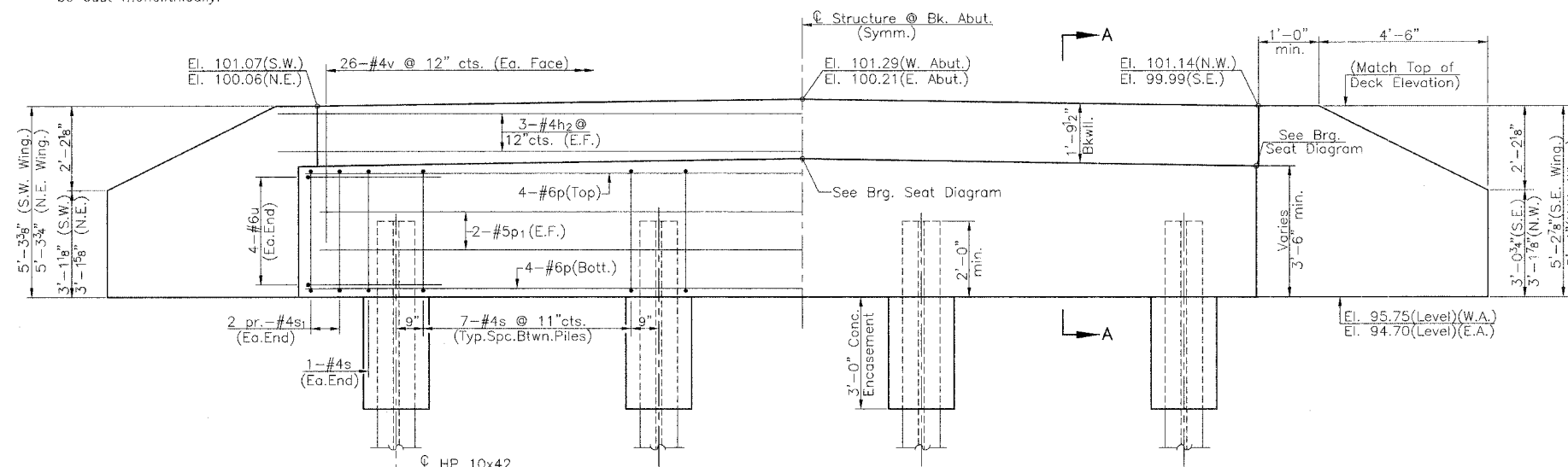
Note: Hatched area and wingwalls shall be poured after deck beams are anchored in place. Quantity for Concrete Structures is included in Bill of Material, this sheet.

NOTES

All exposed edges shall have standard 3/4" chamfer.
Space reinforcement in cap to miss beam anchor dowels.
Wingwalls and Backwalls may, at the contractor's option, be cast monolithically.

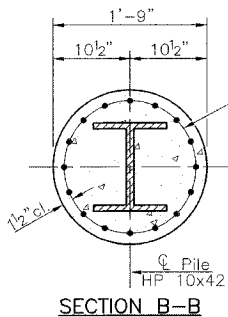
PILE DATA

W. Abut.	E. Abut.
Steel HP 10x42	Steel HP 10x42
Nominal Required Bearing: 335 kips	335 kips
Allowable Resistance Available: Driven to Refusal	Driven to Refusal
Estimated Pile Length: 27'	42'
Number of Production: 3	5
Number of Test Piles: 1	1



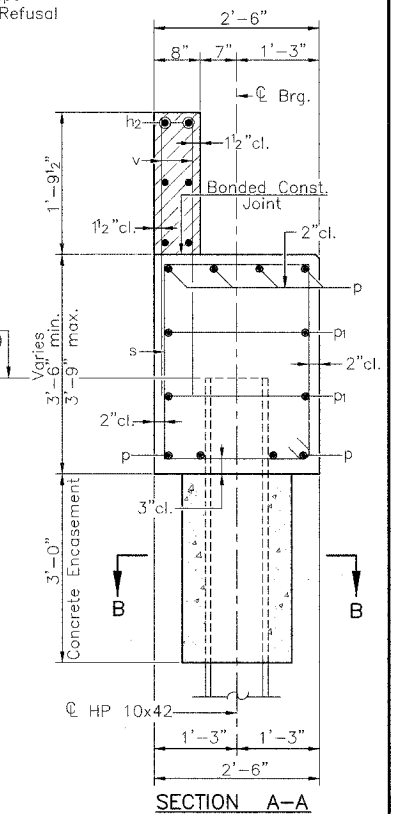
ELEVATION

(W. Abut. - Looking West)
(E. Abut. - Looking East)

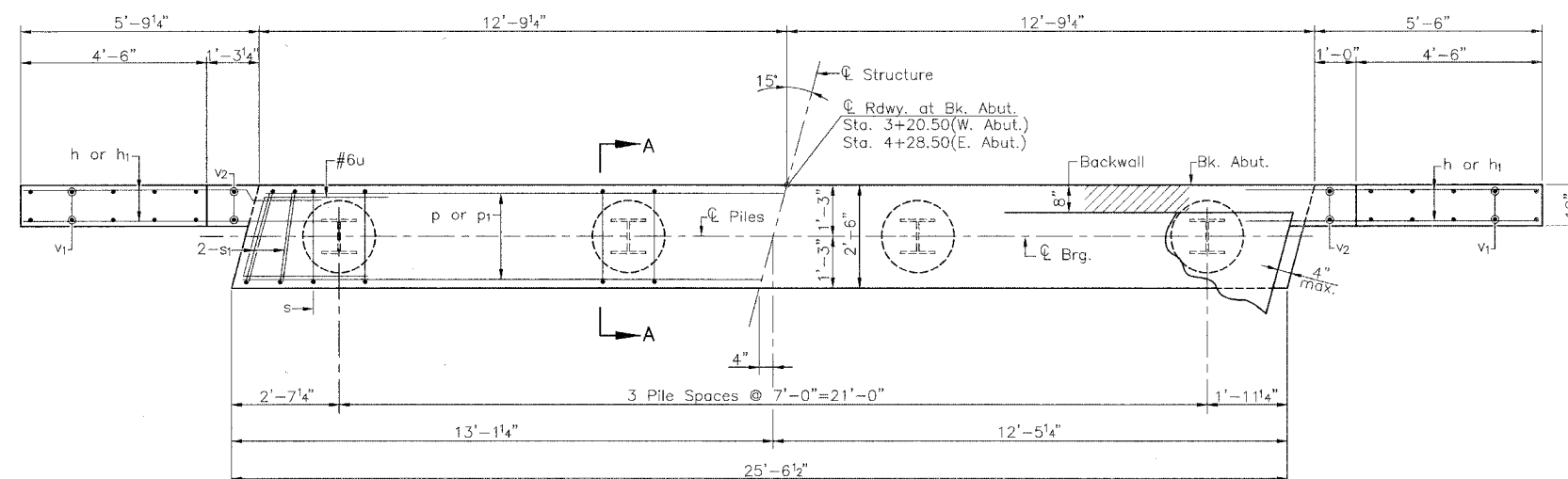


SECTION B-B

Cutoff Elev.
97.8(W. Abut.)
96.7(E. Abut.)



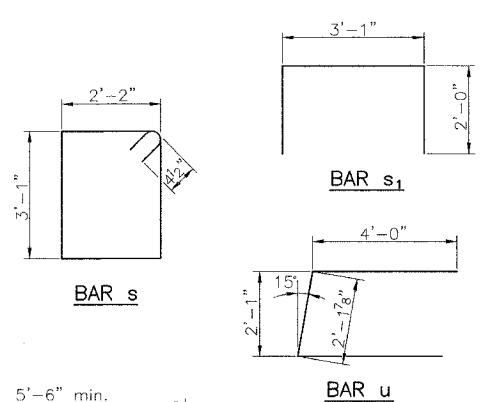
SECTION A-A



REINFORCEMENT

PLAN

DIMENSIONS



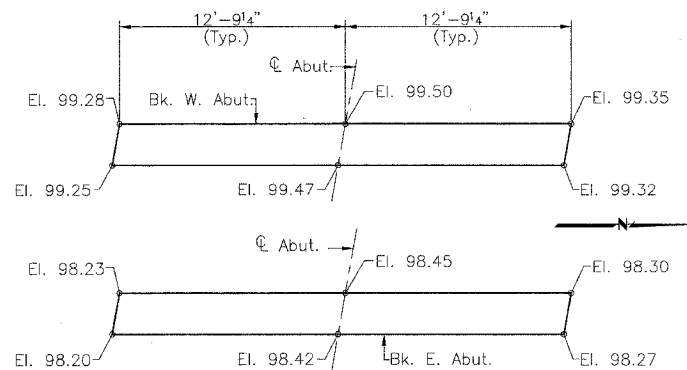
BAR s

BAR s1

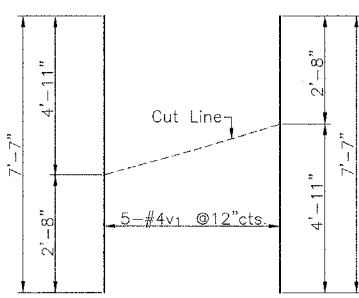
BAR u

TWO ABUTMENTS BILL OF MATERIAL

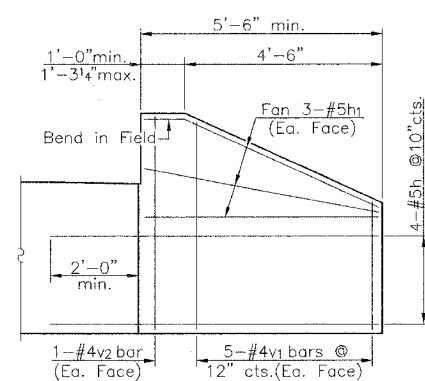
BAR	NO.	SIZE	LENGTH	SHAPE	
h	32	#5	7'-6"	—	
h1	24	#5	5'-2"	—	
h2	12	#4	27'-2"	—	
P	16	#6	25'-2"	—	
P1	8	#5	25'-2"	—	
s	46	#4	11'-3"	□	
s1	16	#4	7'-1"	□	
u	16	#6	10'-2"	□	
v	104	#4	3'-3"	—	
v1	20	#4	7'-7"	—	
v2	8	#4	4'-11"	—	
Concrete Structures				Cu. Yd.	23.9
Reinforcement Bars				Pound	2430
Structure Excavation				Cu. Yd.	102
Furnishing Steel Piles HP10x42				Foot	207
Driving Piles				Foot	207
Test Pile Steel HP 10x42				Each	2
Concrete Encasement				Cu. Yd.	2.2



BEARING SEAT DIAGRAM



v1 - BAR CUT DIAGRAM
Order v1 bars full length; Lay out in field according to diagram. Cut v1 bars along cut line. Use remainder of each bar in opposite face.



WINGWALL ELEVATION

(Showing Reinforcement)
* See v1-bar cut diagram

ABUTMENTS
I.R. 173 OVER MUD CREEK
SECTION 01-18116-00-BR
SHELBY COUNTY