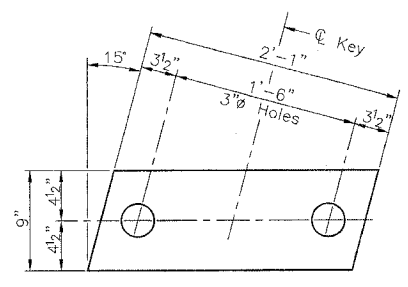
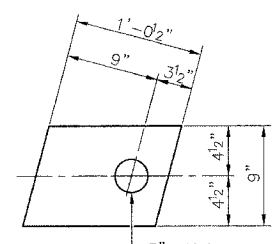


RTE.	SECTION	COUNTY	TOTAL SHEETS	SHEET NO.
T.R. 173	*	SHELBY	11	6
PROJECT BROS-173(144)				

* 01-18116-00-BR

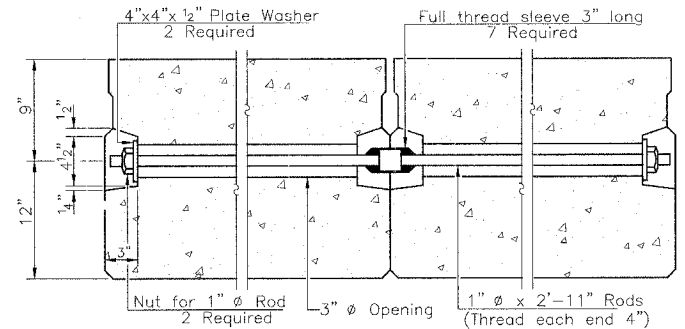
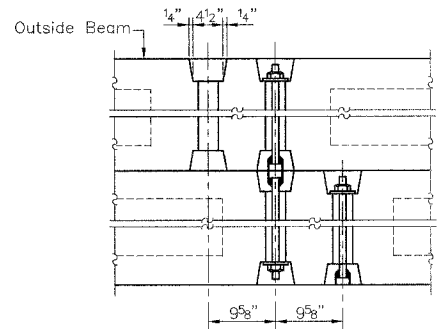


FABRIC BEARING PAD
Interior W_o
(36 Required)

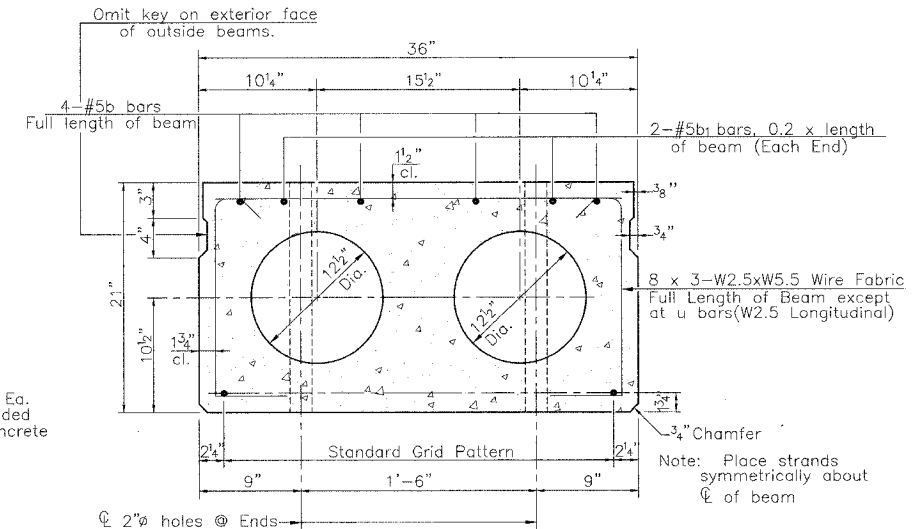


FABRIC BEARING PAD
Exterior W
(24 Required)

FIXED

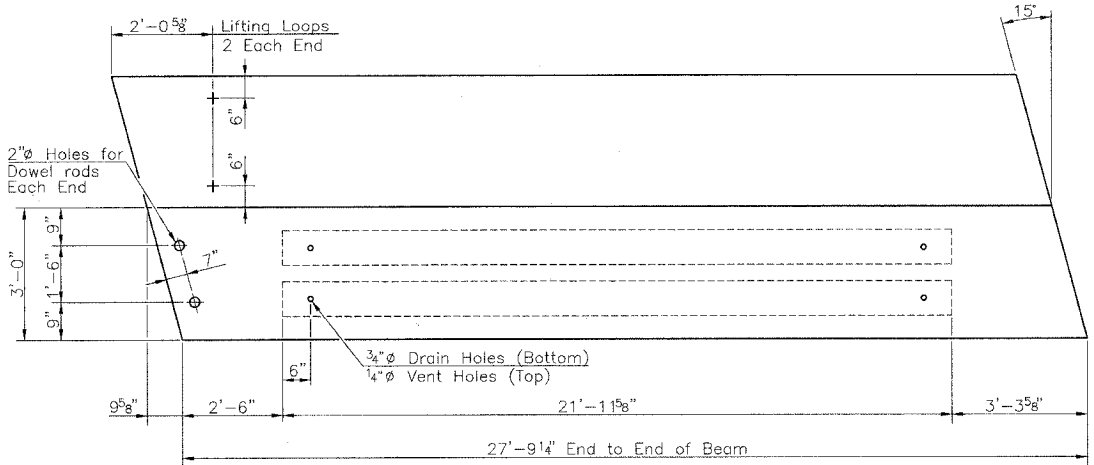


TYPICAL TRANSVERSE TIE ASSEMBLY



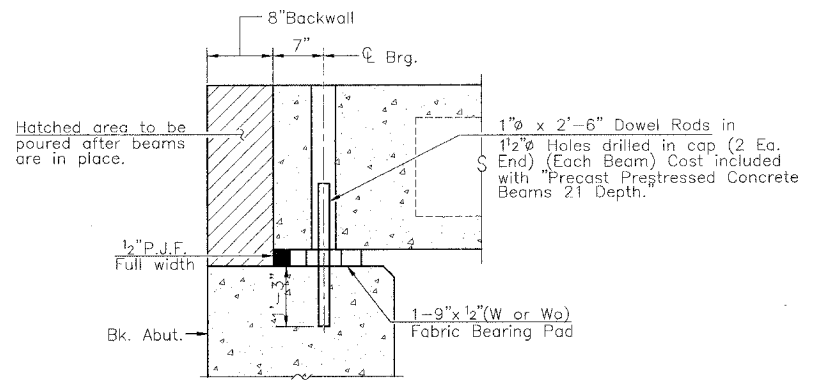
TYPICAL SECTION

1/2" Strands - Each Strand Stressed to 30,900 lbs.
6 Strands - 1 3/4" up (Spans 1 & 3)
6 - 1 3/4" up, 8 - 3/4" up, 2 - 12" up (Span 2)



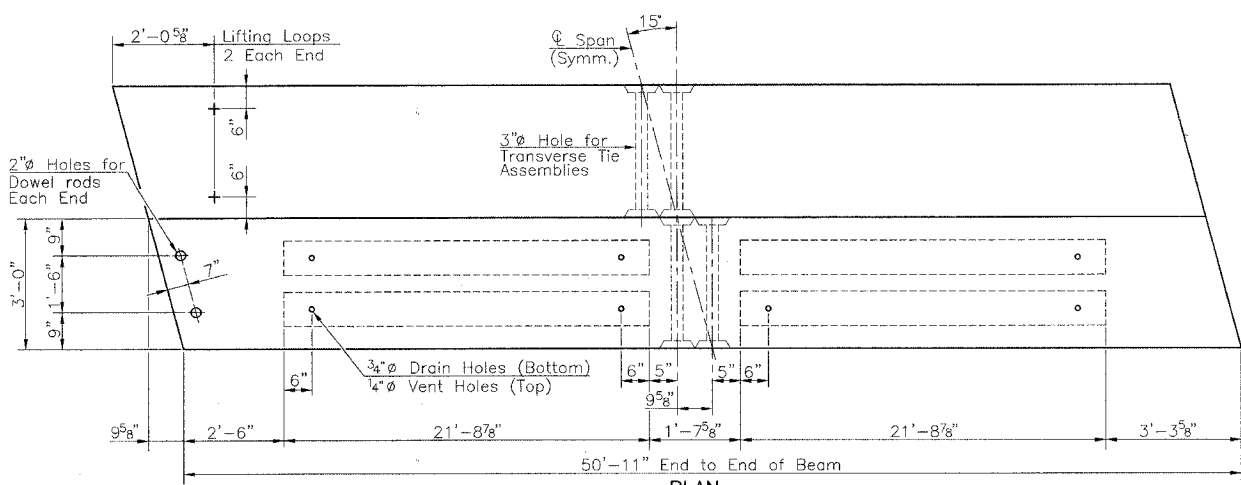
PLAN

(8 Beams Required - Spans 1 & 3)



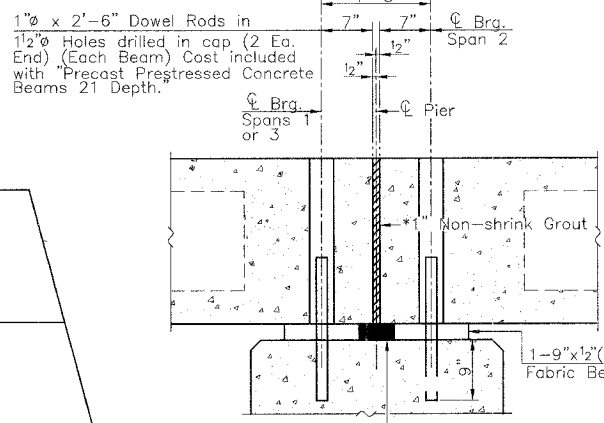
SECTION THRU ABUTMENT

(Dimensions @ Rt. Angles)



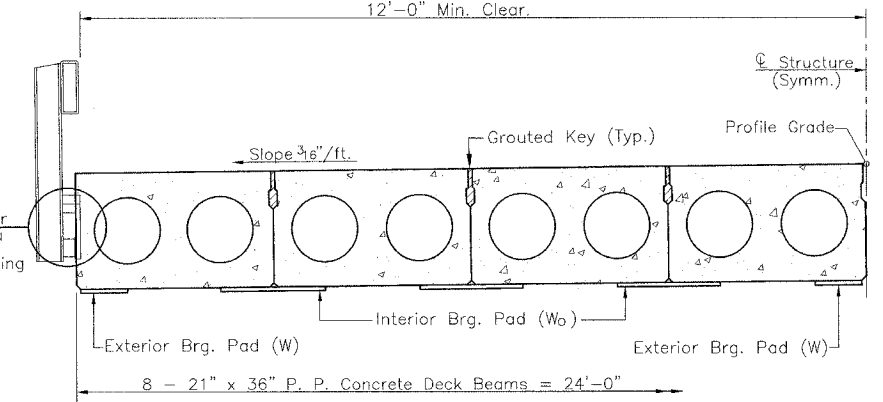
PLAN

(8 Beams Required - Span 2)



PIER ELEVATION

(Dimensions @ Rt. Angles)



HALF CROSS SECTION

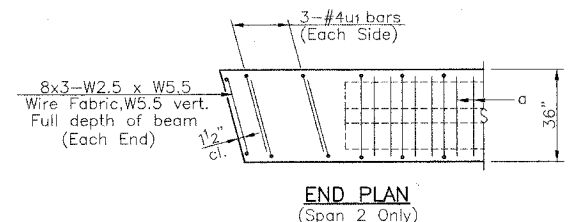
* 1" dimension may vary to accommodate tolerance in beam lengths.

NOTES

- After beams have been erected, holes shall be drilled into substructure and anchor dowels placed. Dowel holes shall be filled with non-shrink grout to top of beam and allowed to cure min. 24 hours prior to grouting the shear keys.
- Prestressing steel shall be uncoated high strength, low relaxation 7-wire strand, Grade 270.
- The nominal diameter shall be 1/2" and the nominal cross-sectional area shall be 0.153 sq. in.
- Lifting loops shall be 2 - 1/2" - 270 ksi strands as shown.
- The 1" rods in the Transverse Tie Assembly shall be tightened to a snug fit and the threads set. Pockets that receive transverse tie bar on outside shall be filled with grout after transverse tie assembly is in place.
- The bearing seat surfaces shall be adjusted by shimming to assure firm and even bearing. Two 1/8" fabric adjusting shims of the dimensions of the Exterior Bearing Pad shall be provided for each bearing.
- Keyway surfaces shall be cleaned to remove form oil or other bond breaking material prior to shipment of the beams. Cleaning shall be done by sandblasting the keyway areas between top of the beams and the bottom edge of the key.
- Corrosion Inhibitor, as covered in the Special Provisions, shall be used in the concrete for Precast Prestressed Concrete Deck Beams.
- Required Release Strength, f'ci, shall be 4000 p.s.i.

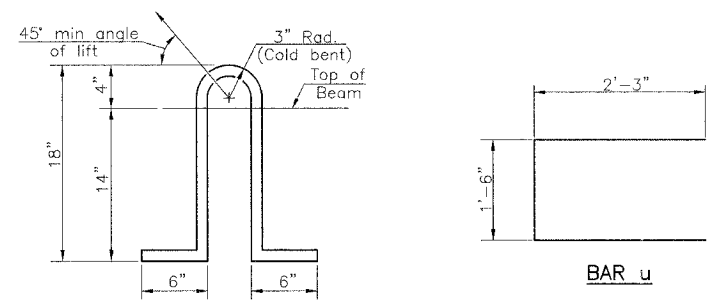
BILL OF MATERIAL

BAR	NO.	SIZE	LENGTH	SHAPE
Precast Prestressed Concrete Deck Beams (21")			Sq. Ft.	2555



END PLAN

(Span 2 Only)



LIFTING LOOP DETAIL

BAR u

FILE NAME: SC1238M (REV. 5/75/06)