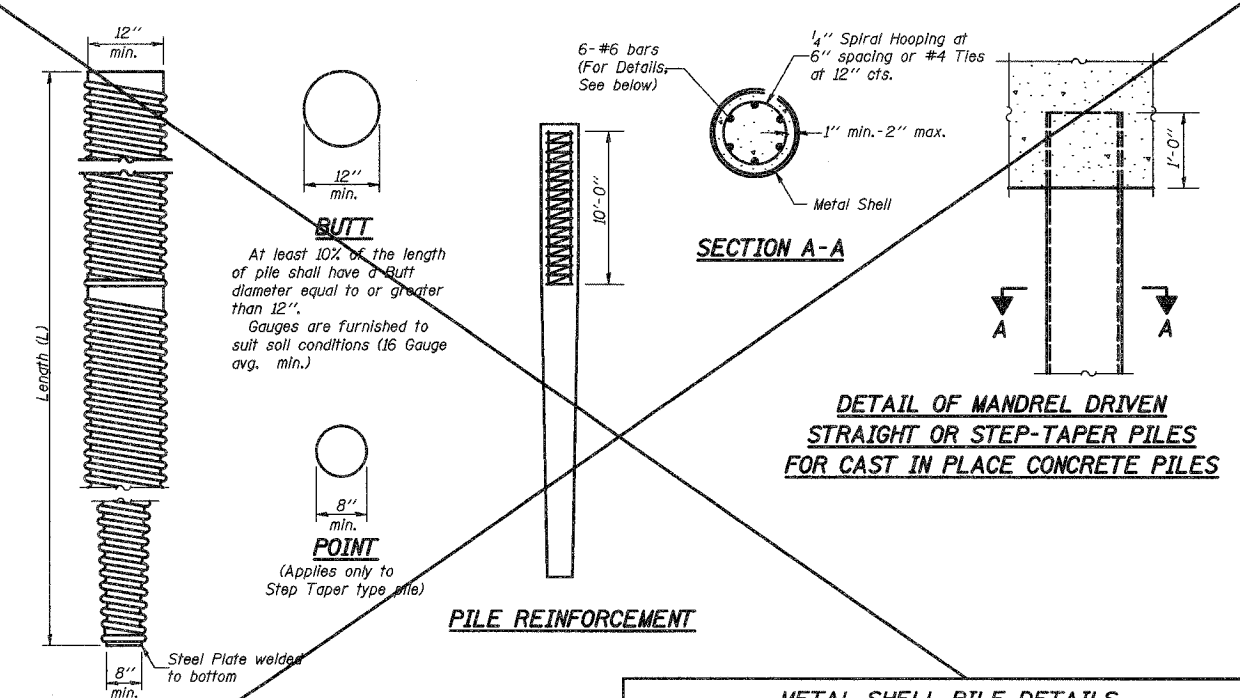
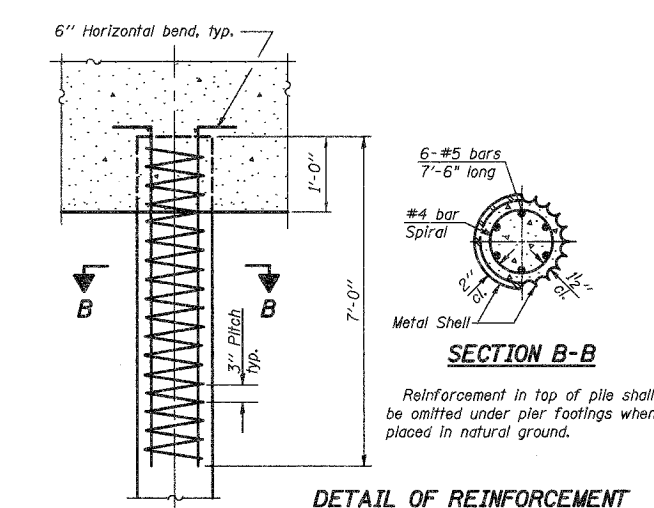
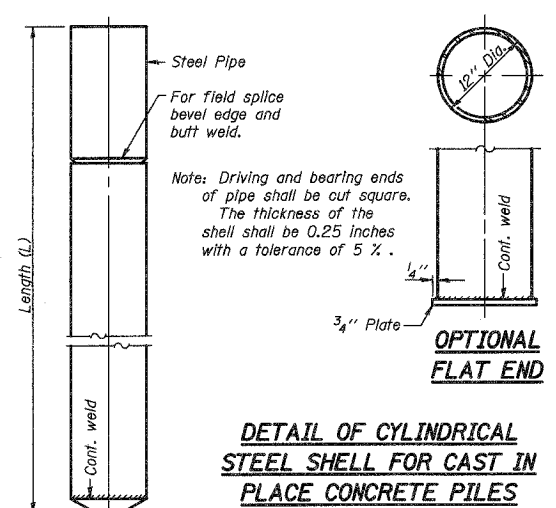
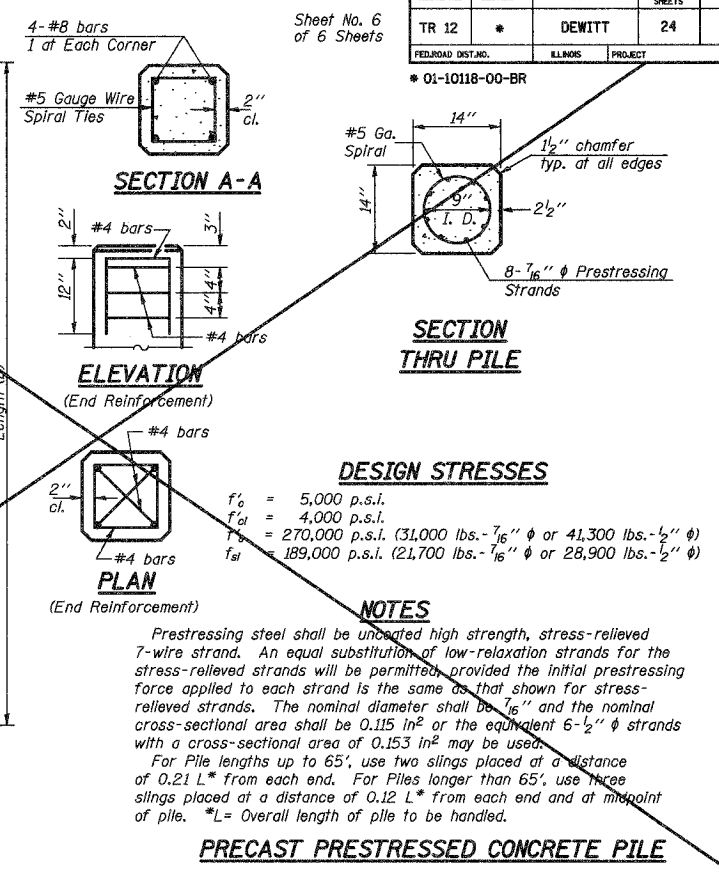
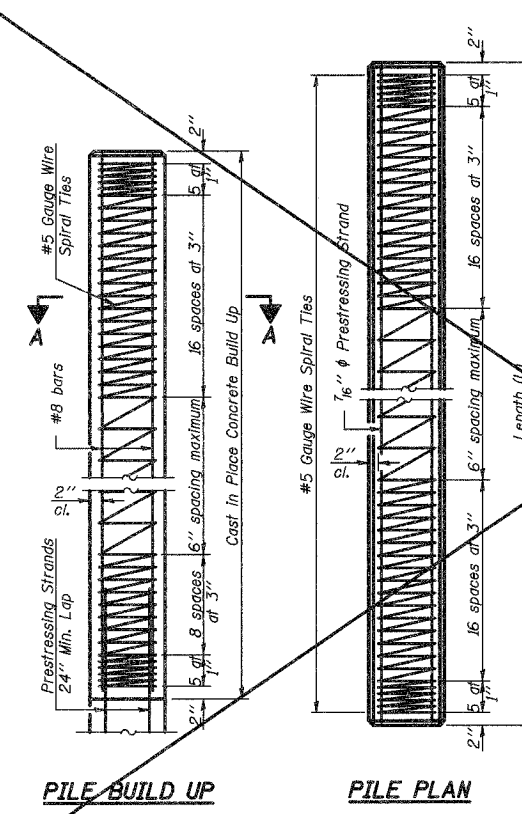
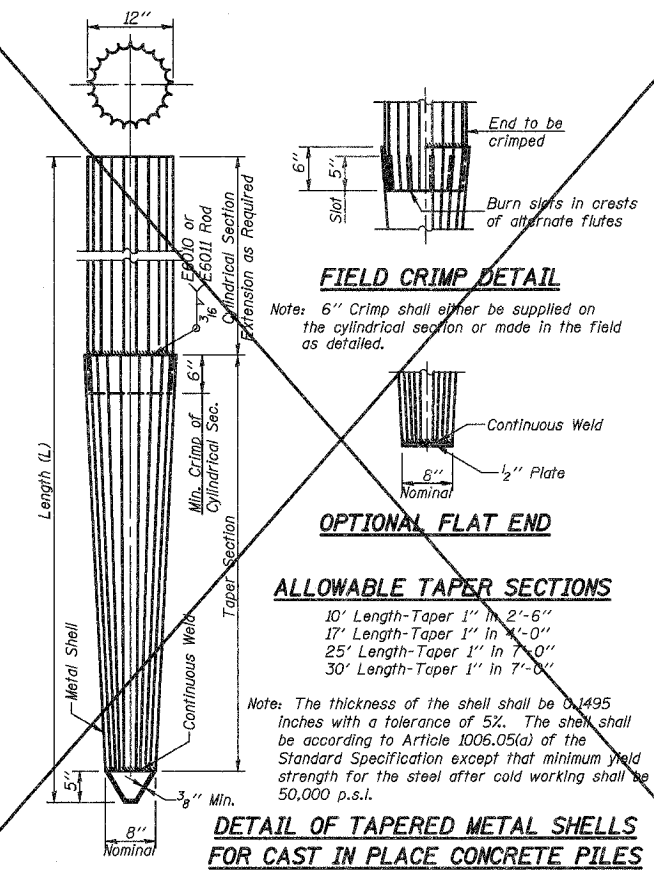
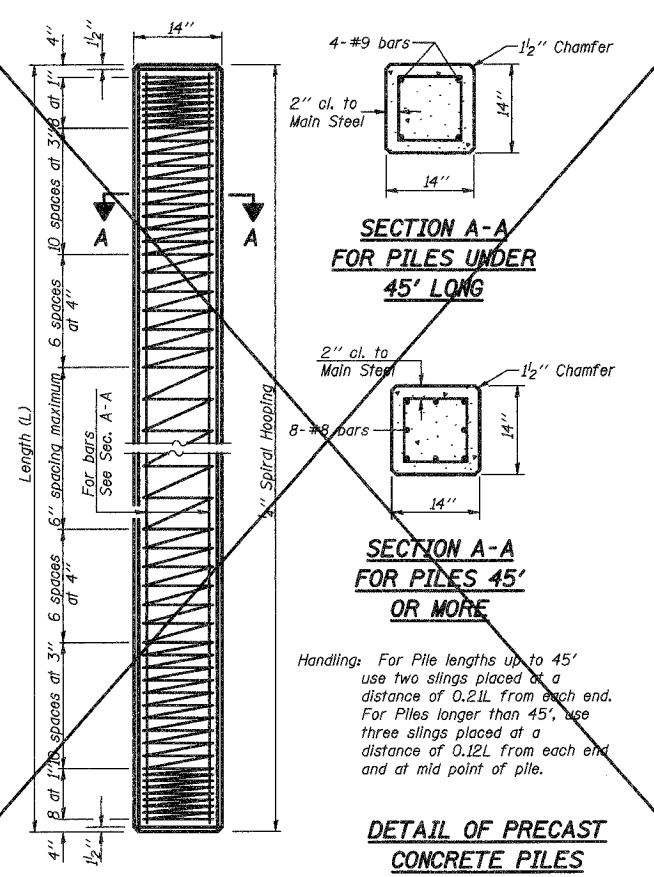


ROUTE NO.	SECTION	COUNTY	TOTAL SHEETS	SHEET NO.
TR 12	*	DEWITT	24	12
FEDROAD DIST. NO.	BLKMS	PROJECT		
* 01-10118-00-BR				

Sheet No. 6 of 6 Sheets



REVISIONS				SECTION 01-10118-00-BR		TR 12 OVER UNNAMED CREEK		DRAWN BY DATE	
No.	DATE	INITIALS						R KING	5/06
1									
2									
3									
4									
5									
6									
7									
8									
9									
10									

DEWITT	COUNTY	BOOK NUMBER
		480
		PROJECT NO.
		5137
		SHEET NO.

HOMER L. CHASTAIN & ASSOCIATES, LLP
CONSULTING ENGINEERS

DECATUR CHICAGO
(317) 422-8544 (773) 714-0650

ROCKFORD
(815) 489-0660