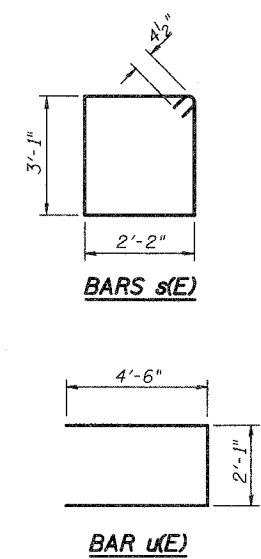
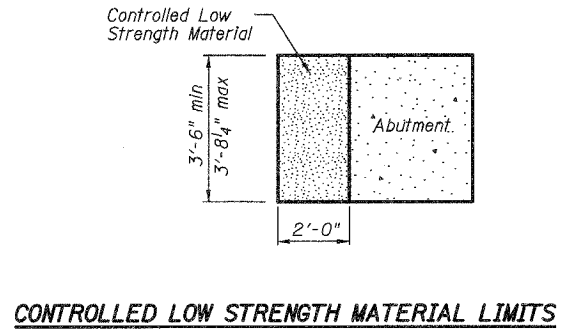
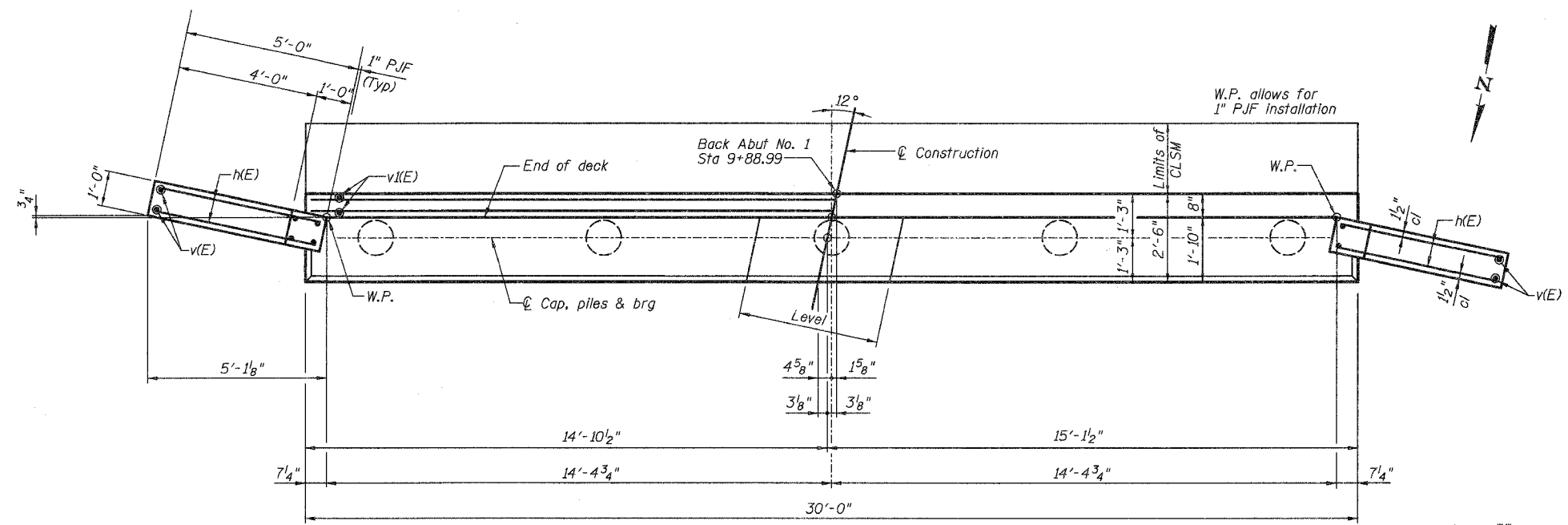
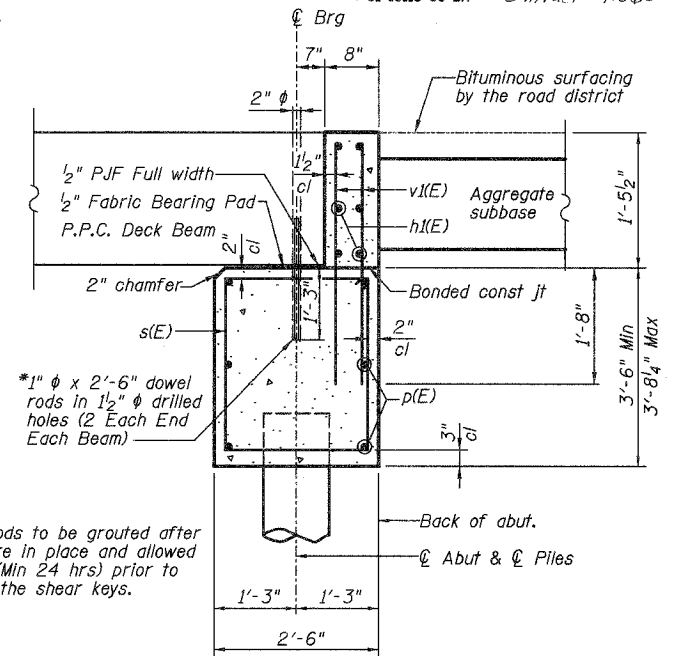


PILE DATA:

Type & Size: Metal Shell - 12 in dia x 0.250 in. walls
 Nominal Required Bearing: 192 kips
 Allowable Resistance Available: 64 kips
 Est. Length: 45 ft
 Number of Production Piles: 4
 Number of Test Piles: 1

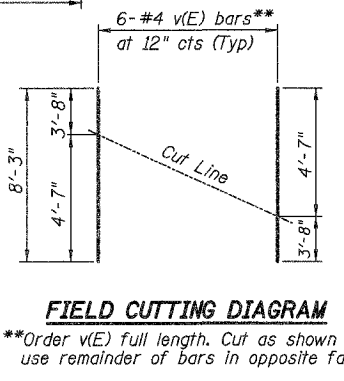
**Order bars full length and cut (Per Diagram) and use remainder of bars in opposite face



BILL OF MATERIAL

Bar No.	Size	Length	Shape
h(E)	24 #4	5'-1"	—
h(E)	6 #4	29'-8"	—
p(E)	6 #7	29'-8"	—
s(E)	30 #4	11'-3"	□
u(E)	8 #6	11'-1"	—
v(E)	12 #4	8'-3"	—
v(E)	62 #4	3'-0"	—
Test Pile Metal Shell			Each 1
Structure Excavation			Cu Yd 54
Concrete Structures			Cu Yd 12.5
Reinforcement Bars (Epoxy Coated)			Pound 1115
Furnishing Metal Shell Piles 12"			Foot 180
Driving Piles			Foot 180
Controlled Low Strength Material			Cu Yd 8

Reinforcement bars designated (E) shall be epoxy coated.



ABUTMENT NO. 1 DETAILS

REVISIONS	SECTION 01-10118-00-BR	TR 12 OVER UNNAMED CREEK	DRAWN BY DATE R KING 5/06
1	DEWITT	COUNTY	CHECKED BY DATE JMB 5/06
2			BOOK NUMBER 480
3			PROJECT No. 5137
4			SHEET No.
5	HOMER L. CHASTAIN & ASSOCIATES, LLP CONSULTING ENGINEERS 104-00377		DECATUR CHICAGO (317) 423-8541 (773) 714-0050 ROCKFORD (815) 489-0050