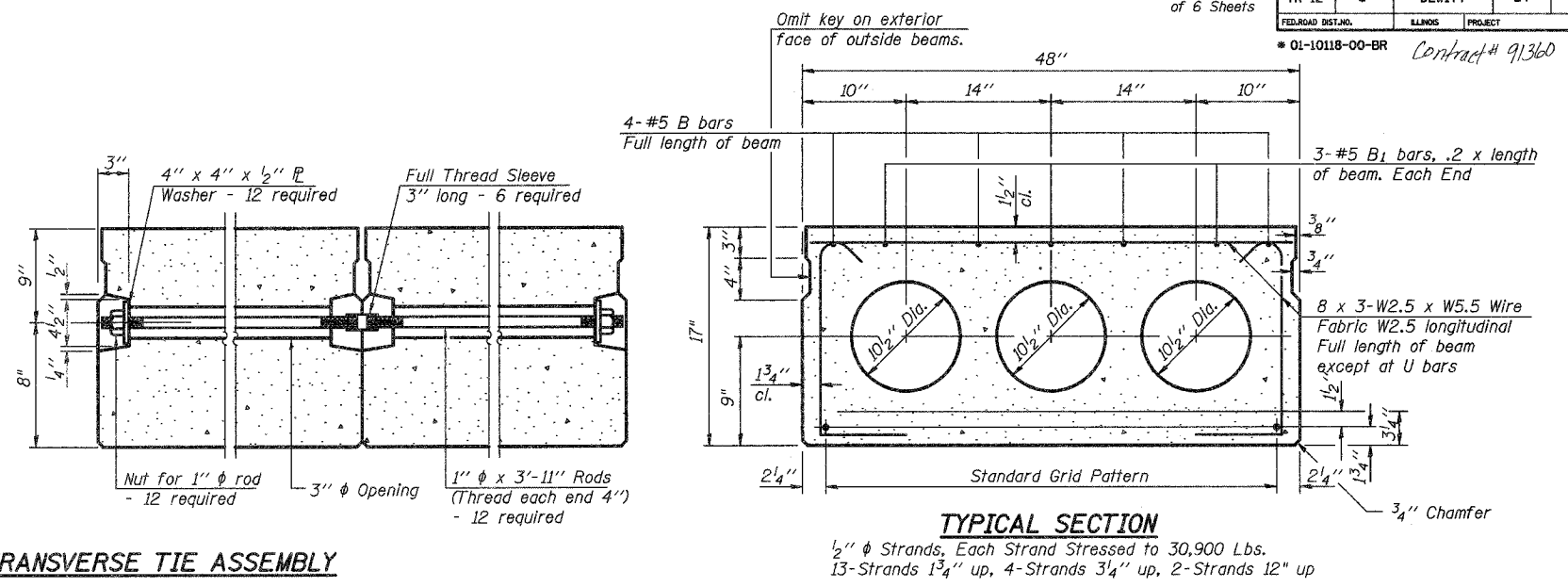
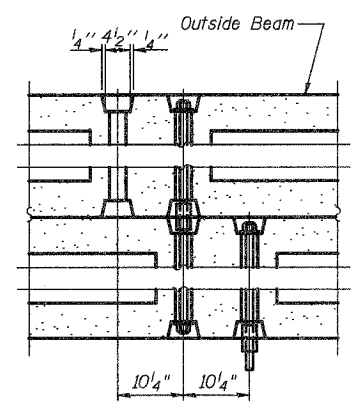
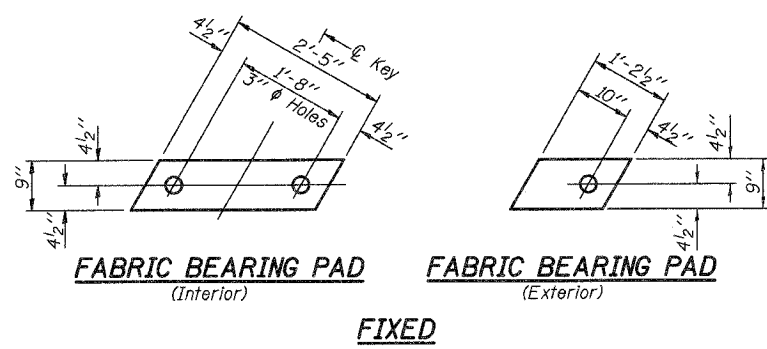
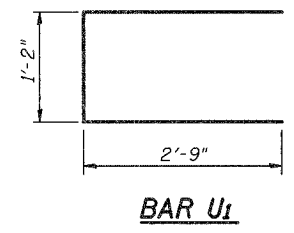
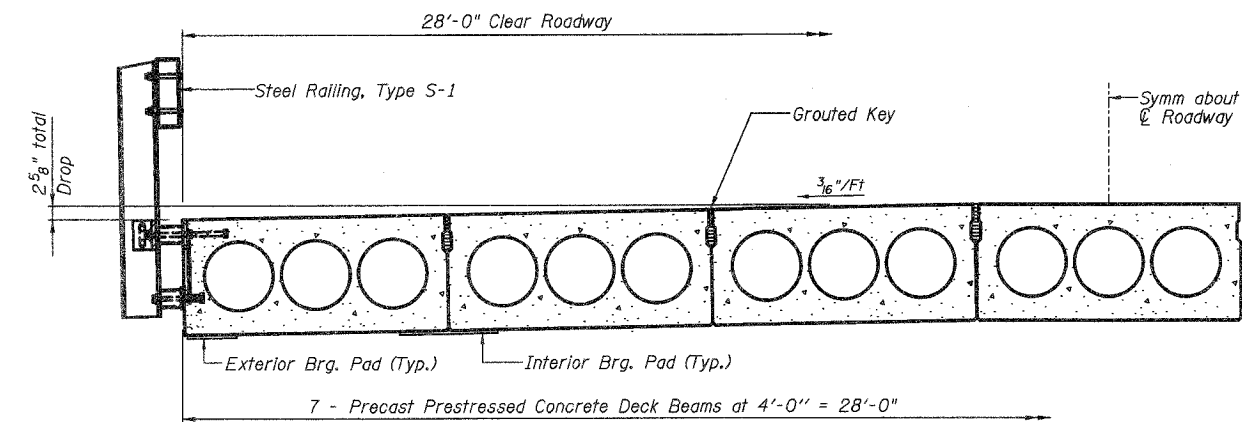
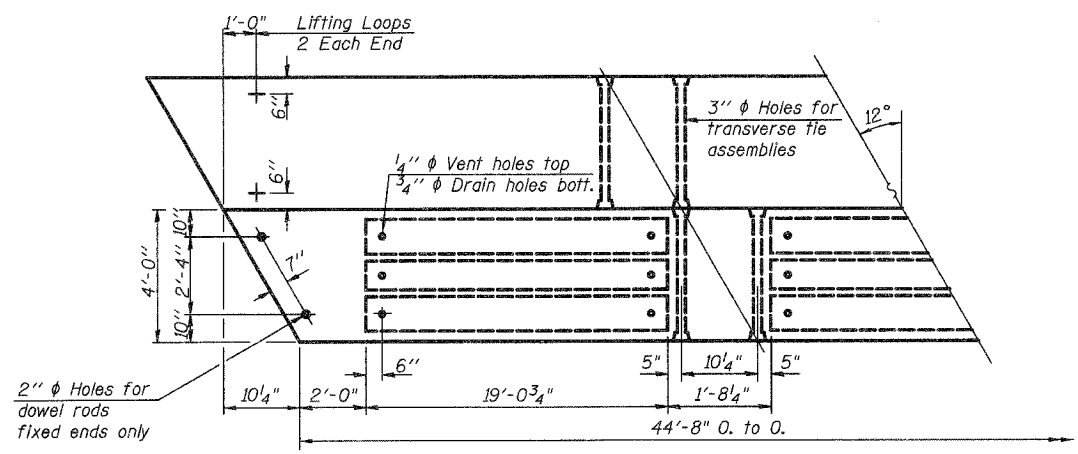


ROUTE NO.	SECTION	COUNTY	TOTAL SHEETS	SHEET NO.
TR 12	*	DEWITT	24	8
FEDERAL DIST. NO.	BLK. NO.	PROJECT		
* 01-10118-00-BR		Contract # 91360		



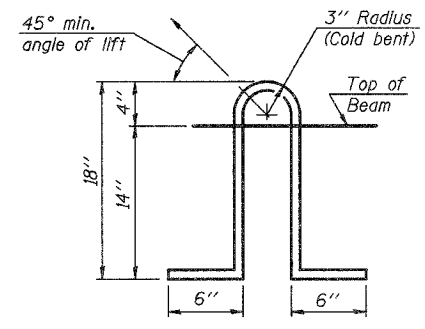
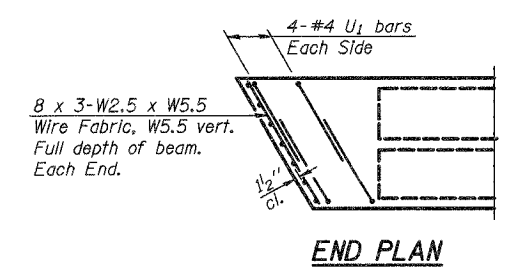
Note:  
Place strands symmetrically about centerline of beam.



**\*BILL OF MATERIAL**

Bar	No.	Size	Length	Shape
B	8	#5	23'-3"	—
B1	6	#5	9'-0"	—
U1	16	#4	6'-8"	U
Precast Prestressed Conc. Deck Bms.		Sq. Ft.	1251	

\*Note:  
Above bar list is for one (1) beam only.



**NOTES**

Prestressing steel shall be uncoated high strength, low relaxation 7-wire strand, Grade 270. The nominal diameter shall be 1/2" and the nominal cross-sectional area shall be 0.153 sq. in. Lifting loops shall be 5/8" - 1/2" phi - 270 ksi strands, as shown. The 1" phi rods in the transverse tie assembly shall be tightened to a snug fit and the threads set. Pockets that receive transverse tie bar on outside shall be filled with grout after transverse tie assembly is in place. Non prestressing steel shall conform to AASHTO M-31, M-42 or M-53 Grade 60. The bearing seat surfaces shall be adjusted by shimming to assure firm and even bearing. Two 1/8" fabric adjusting shims of the dimensions of the Exterior Bearing Pad shall be provided for each bearing. Keyway surfaces shall be cleaned to remove form all or other bond breaking material prior to shipment of the beams. Cleaning shall be done by sandblasting the keyway areas between top of the beam and the bottom edge of the key. Corrosion Inhibitor, as covered in the Special Provisions, shall be used in the concrete for precast prestressed concrete deck beams. Required Release Strength, f'ci, shall be 5000 p.s.i.

**BEAM DETAILS**

REVISIONS	SECTION 01-10118-00-BR	TR 12 OVER UNNAMED CREEK	DRAWN BY DATE
NO. DATE INITIALS	DEWITT	COUNTY	R KING 5/06
1			CHECKED BY DATE
2			JMB 5/06
3			BOOK NUMBER
4			480
5			PROJECT NO.
6			5137
7			SHEET NO.
8			
9			
10			

**CHASTAIN & ASSOCIATES, LLP**  
CONSULTING ENGINEERS  
ROCKFORD, ILL. 61107  
DECATUR, CHICAGO  
(312) 422-8844 (773) 714-0660  
(815) 499-0950