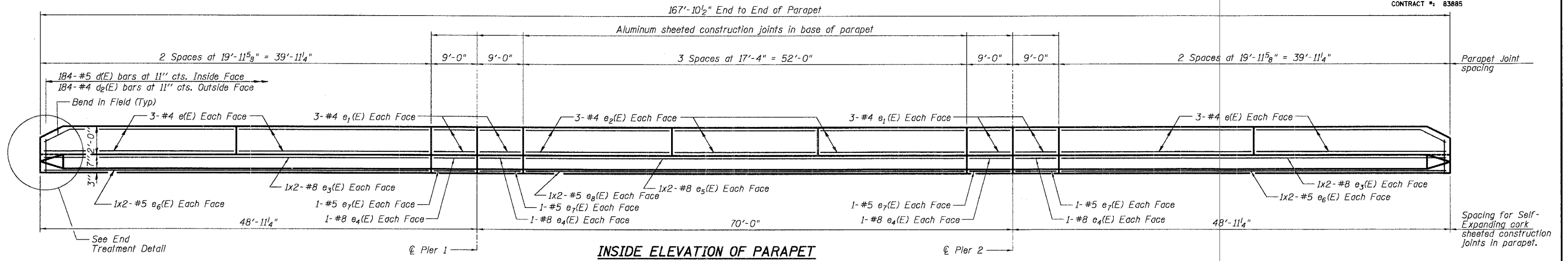


ROUTE NO.	SECTION	COUNTY	SHEET	SHEET
FAP 532	02-00117-21-BR	WILL	35	16
FED. ROAD DIST. NO.	ILLINOIS	FED. AID PROJECT-		
1				

SHEET NO. S-7
S-19 SHEETS

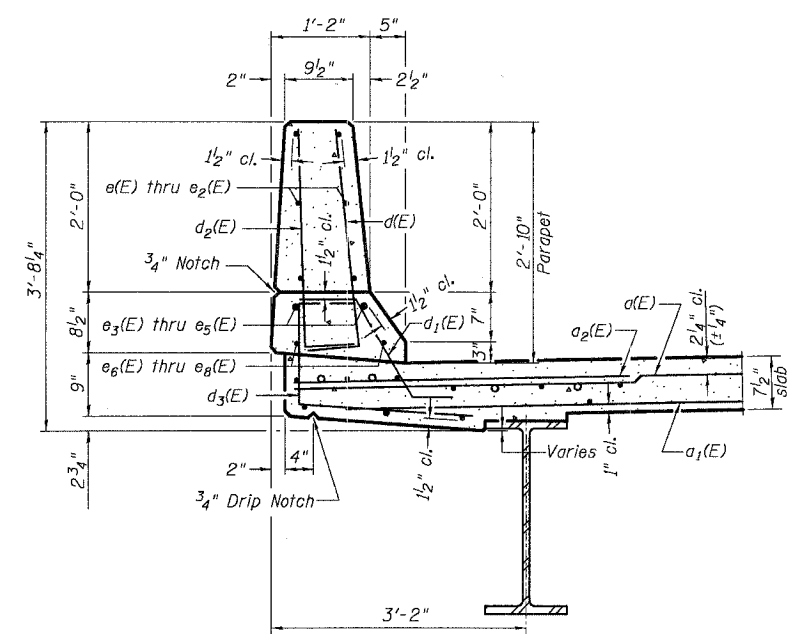
CONTRACT #: 83885



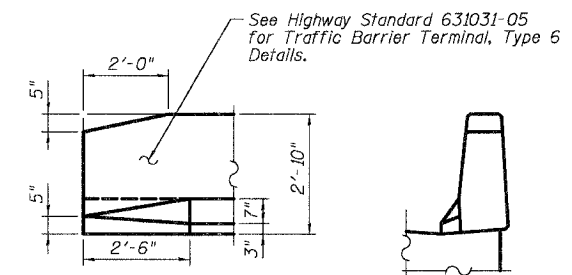
INSIDE ELEVATION OF PARAPET

MIN. BAR LAP

#5 bar = 1'-8"
#8 bar = 3'-5"

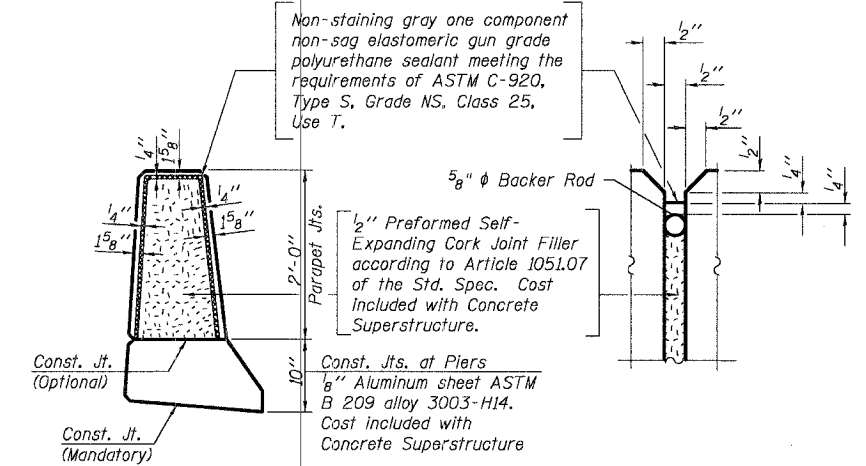


SECTION THRU PARAPET



ELEVATION **END VIEW**

END TREATMENT DETAIL
Not to Scale



PARAPET JOINT DETAILS

Notes:
Reinforcement bars designated (E) shall be epoxy coated.
Bars indicated thus 1 x 2-#5 etc. indicates 1 line of bars with 2 lengths per line.
See Sheet S-8 for Bill of Material.

DESIGNED	KMA
CHECKED	AEU
DRAWN	MDJ
CHECKED	RGD

SEC GROUP, INC.
Illinois Professional Design Firm # 184-000108
Soil Engineering Consultants • SEC Automation • SEC Planning
4550 Prime Parkway, Maitland, IL 60050
t. 815.385.1776 f. 815.385.1781
www.secgroupinc.com engineering@secgroupinc.com

WILL COUNTY DEPARTMENT OF HIGHWAYS
**SUPERSTRUCTURE DETAILS
MANHATTAN-ARSENAL ROAD
OVER JACKSON CREEK
WILL COUNTY
SECTION NO. 02-00117-21-BR
STRUCTURE NO. 099-3395**
DATE 12-8-2006

COMPANY NAME, SEC, INC. MANHATTAN-ARSENAL ROAD
 CLIENT, ILLINOIS DEPARTMENT OF TRANSPORTATION
 PROJECT NO. 02-00117-21-BR
 DRAWING NO. S-19 SHEETS
 DATE 12-8-2006