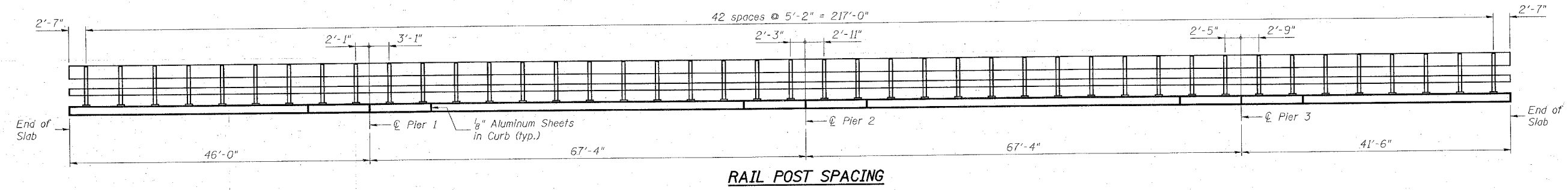


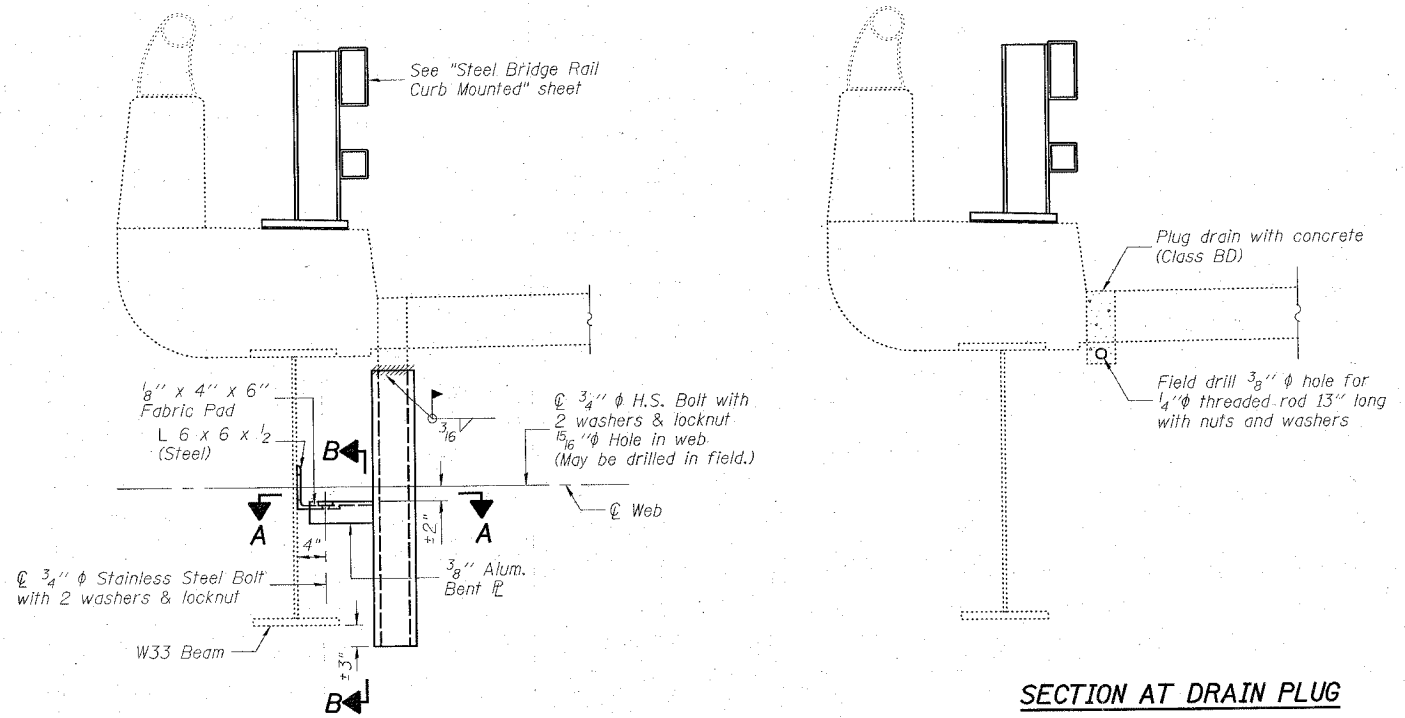
STATE OF ILLINOIS
DEPARTMENT OF TRANSPORTATION

SHEET 3
OF 4

F.A.I. R.T.E.	SECTION	COUNTY	TOTAL SHEETS	SHEET NO.
70	60-10HB-1	MADISON	156	125
FED. ROAD DIST. NO.	ILLINOIS	FED. AID PROJECT		
			CONTRACT NO. 76857	

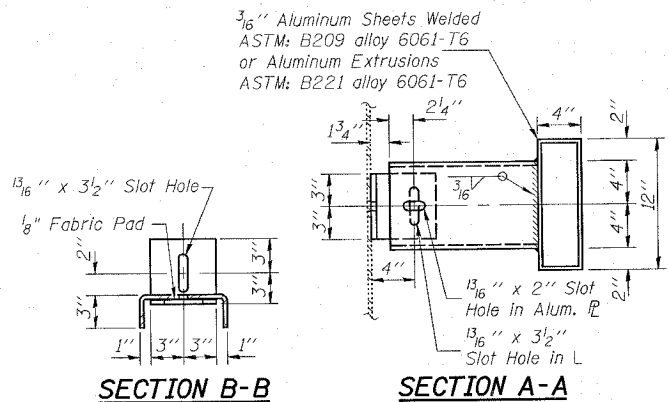


RAIL POST SPACING



SECTION AT DRAIN EXTENSION

SECTION AT DRAIN PLUG



SECTION B-B

SECTION A-A

BILL OF MATERIAL

Floor Drain Extension	Each	12
Plug Existing Deck Drains	Each	14

JD Johnson, Depp & Quisenberry
CONSULTING ENGINEERS
Springfield, Illinois

DESIGNED: CDB	DRAWN: P. Ray
CHECKED: DCD	CHECKED: CDB/DCD

SUPERSTRUCTURE
STAUNTON ROAD (CH 21) OVER
INTERSTATE 70
FAI ROUTE 70 SECTION 60-10HB-1
MADISON COUNTY
STATION 1013+34.43
STRUCTURE NO. 060-0182

DATE: \$DATE\$ - \$TIME\$ USER: \$USER\$ FILE: \$FILES\$