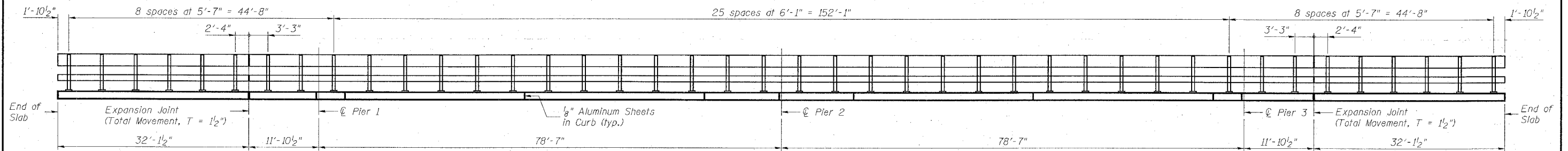


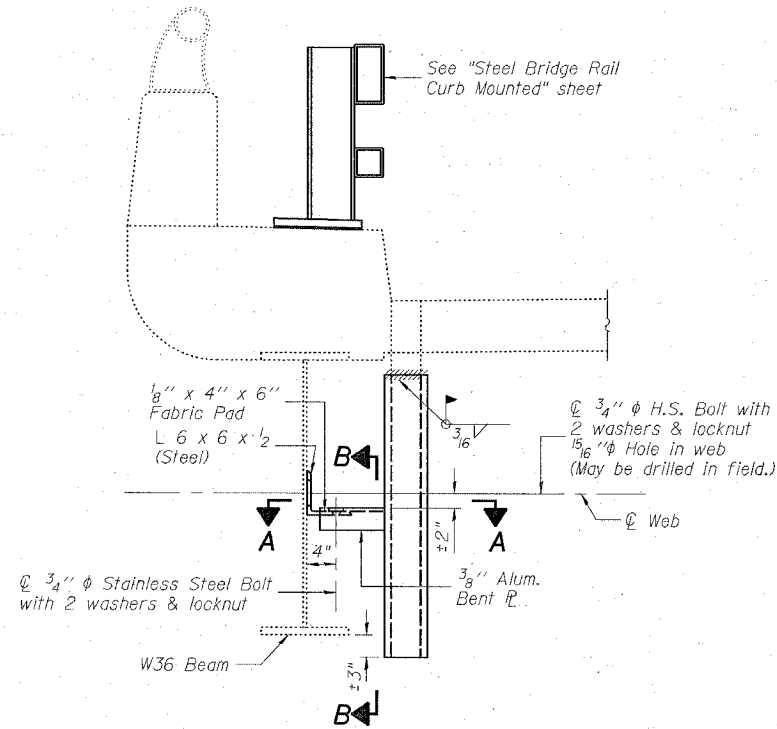
STATE OF ILLINOIS
DEPARTMENT OF TRANSPORTATION

SHEET 3
OF 4

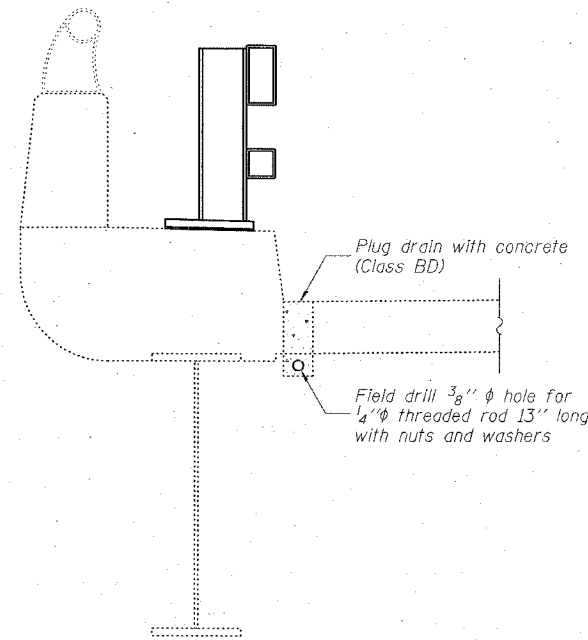
F.A.I. RTE.	SECTION	COUNTY	TOTAL SHEETS	SHEET NO.
70	60-10HB-2	MADISON	156	120
FED. ROAD DIST. NO.	ILLINOIS	FED. AID PROJECT		
CONTRACT NO. 76857				



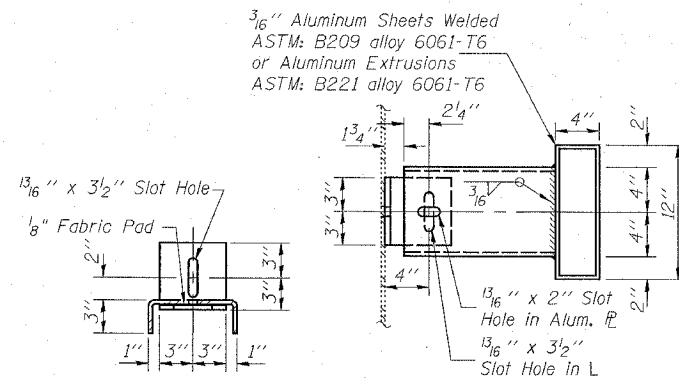
RAIL POST SPACING



SECTION AT DRAIN EXTENSION

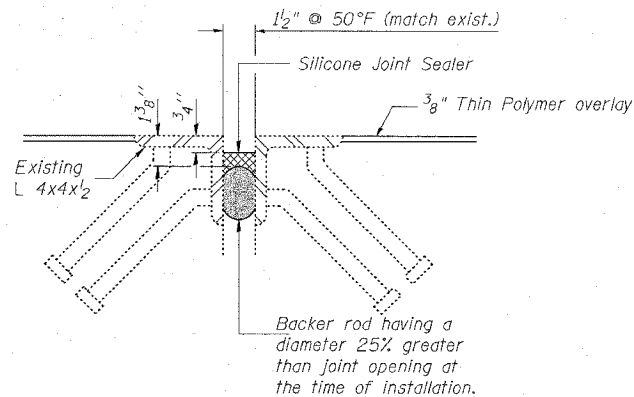


SECTION AT DRAIN PLUG

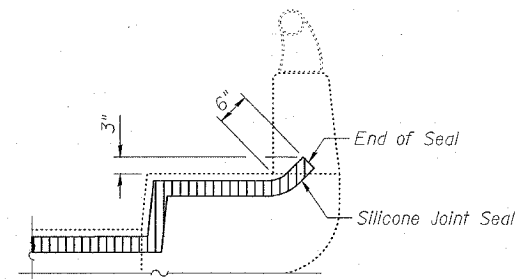


SECTION B-B

SECTION A-A



SILICONE JOINT SEALER DETAIL



TYPICAL END OF SEAL TREATMENT AT EXPANSION JOINT

BILL OF MATERIAL

Floor Drain Extension	Each	8
Plug Existing Deck Drains	Each	20
Silicone Joint Sealer, 1.5"	Foot	62

SUPERSTRUCTURE
RIGGIN ROAD (TR 208) OVER
INTERSTATE 70
FAI ROUTE 70 SECTION 60-10HB-2
MADISON COUNTY
STATION 959+42.70
STRUCTURE NO. 060-0173

JD Johnson, Depp & Quisenberry
CONSULTING ENGINEERS
Springfield, Illinois

DESIGNED: CDB	DRAWN: P. Ray
CHECKED: DCD	CHECKED: CDB/DCD

FILE: #FILES
USER: #USERS
DATE: #DATES