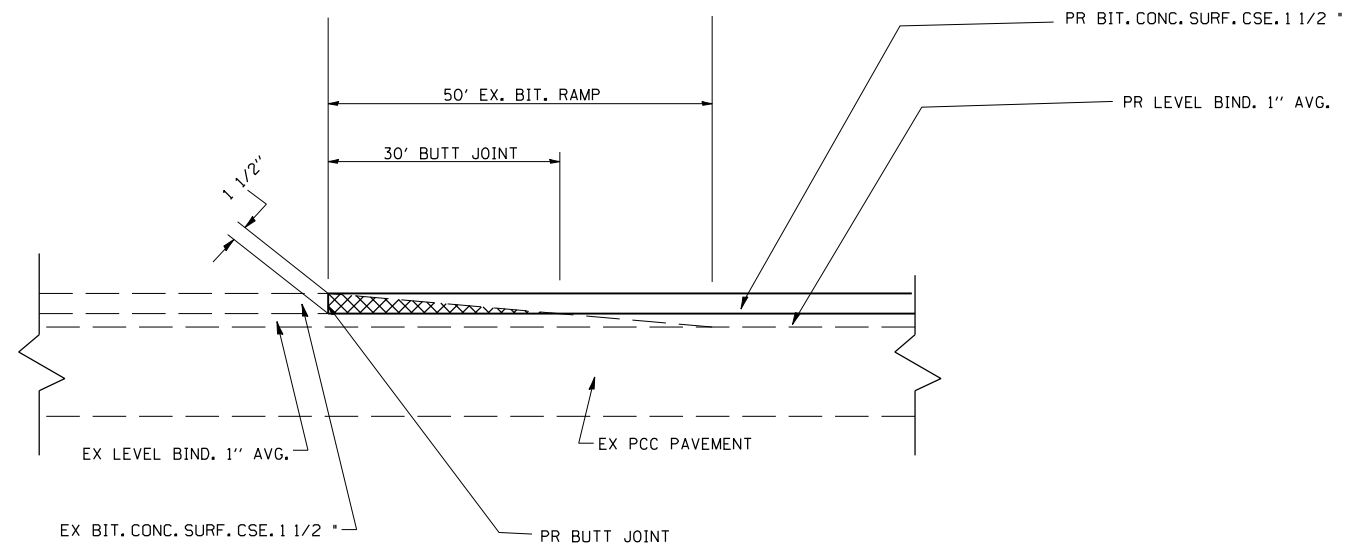
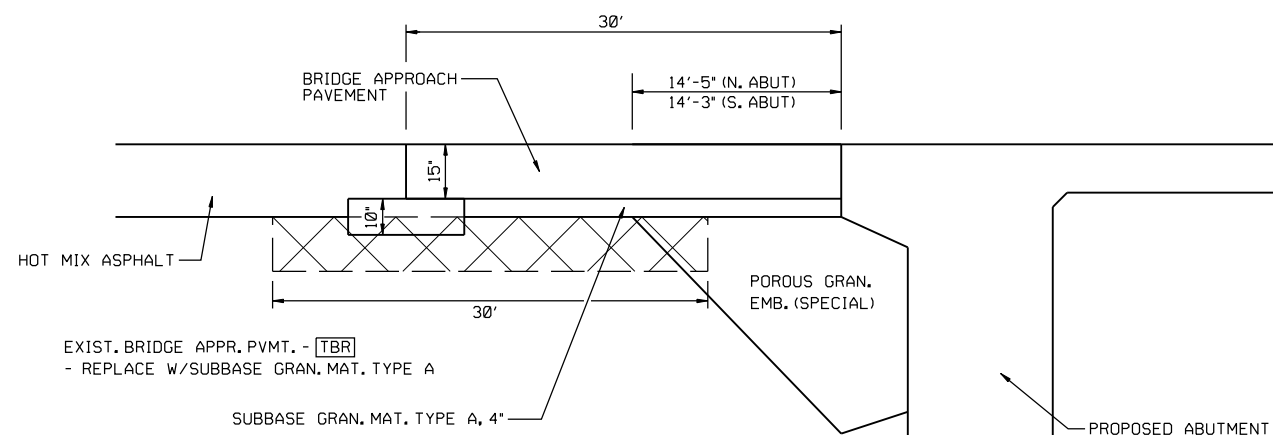


F.A. RTE.	SECTION	COUNTY	TOTAL SHEETS	SHEET NO.
662	(V,T)B-2		66	10A
STA.		TO STA.		
FED. ROAD DIST. NO.	ILLINOIS	FED. AID PROJECT		



BIT. RAMP DETAIL
 STA 441+00.00 TO STA 441+50.00
 STA 451+50.00 TO STA 452+00.00



REVISIONS	
NAME	DATE

ILLINOIS DEPARTMENT OF TRANSPORTATION

BUTT JOINT DETAILS

SCALE: VERT. / HORIZ.
 DATE / DRAWN BY / CHECKED BY

PLOT DATE : 2/22/2007
 FILE NAME : c:\projects\652695\shdetail.dgn
 PLOT SCALE : 1/8"=1'-0" / IN.
 USER NAME : laughlin-1