

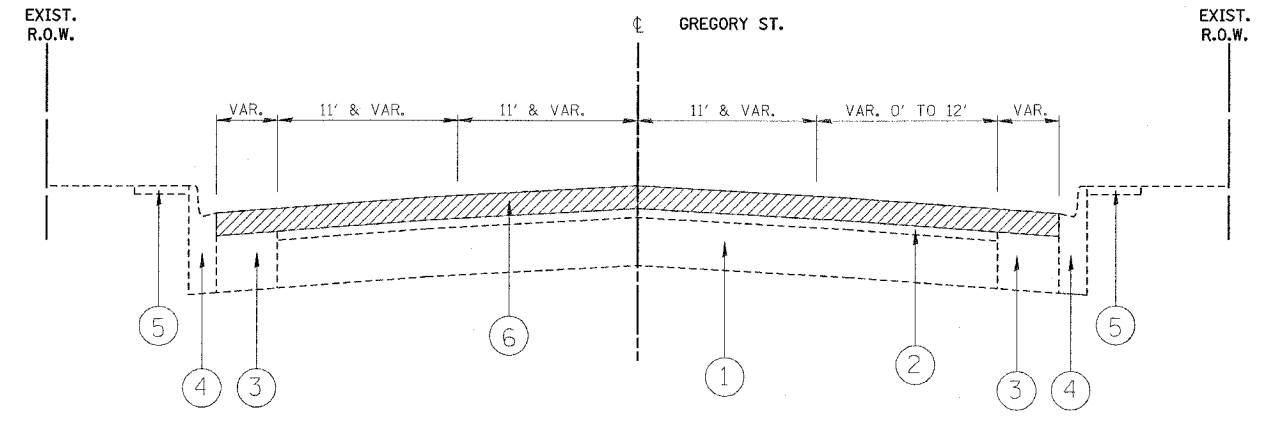
F.A.U. RTE.	SECTION	COUNTY	TOTAL SHEETS	SHEET NO.
2846	55-1414R-RS	COOK	25	5
STA.	TO STA.			
FED. ROAD DIST. NO. 1	ILLINOIS	HIGHWAY PROJECT		

60B69

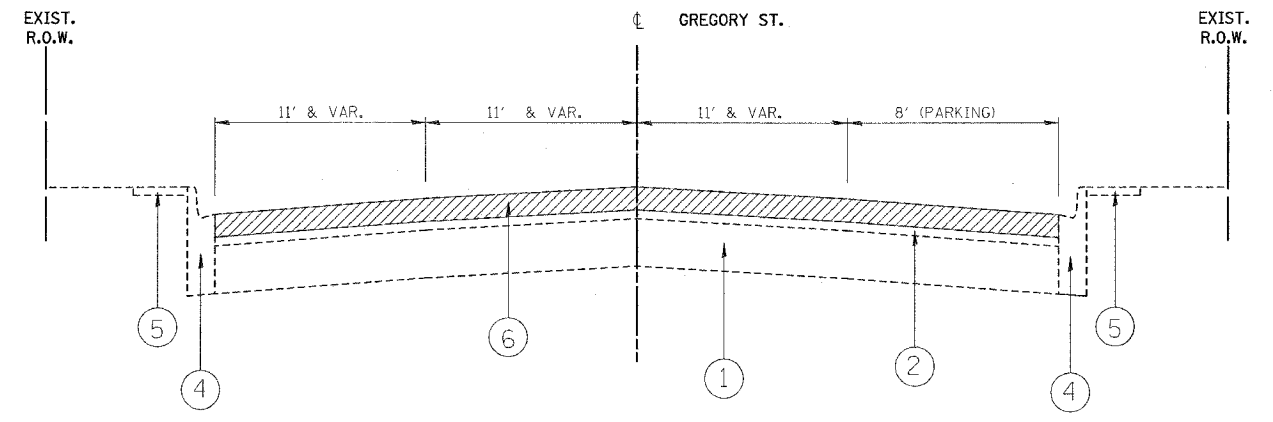
**LEGEND:**

- ① EXISTING P.C.C. PAVEMENT, 10" (±)
- ② EXISTING HMA OVERLAY, 3" (±)
- ③ EXISTING HMA SHOULDERS
- ④ EXISTING COMBINATION CONCRETE CURB & GUTTER, TYPE B-6.12
- ⑤ EXISTING P.C.C. SIDEWALK
- ⑥ PROPOSED HMA SURFACE REMOVAL, 2 1/4 "
- ⑦ PROPOSED POLYMERIZED LEVELING BINDER (MACHINE METHOD), IL-4.75, N50, 3/4 "
- ⑧ PROPOSED HMA SURFACE COURSE, MIX "D", N70, 1 1/2 "

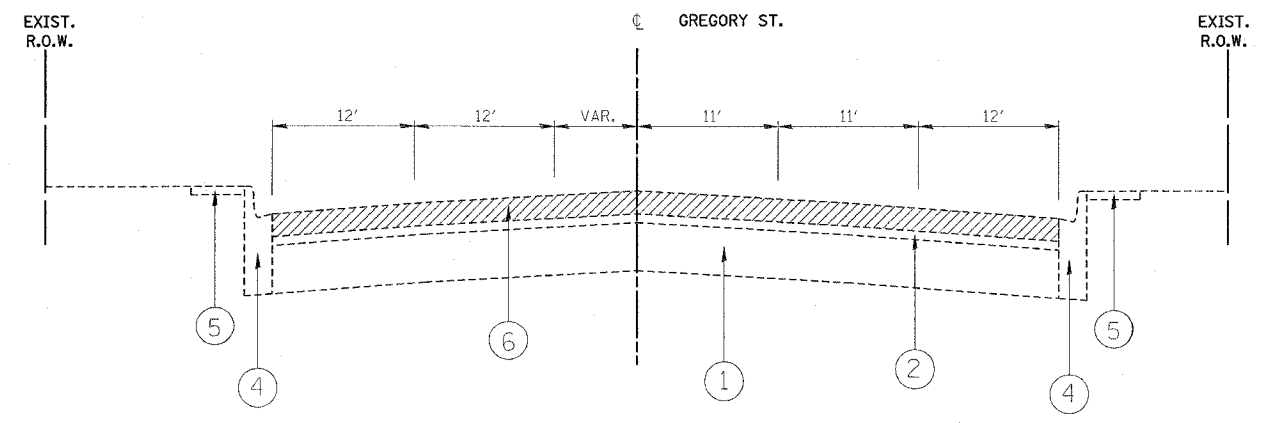
 EXISTING SURFACE REMOVAL



EXISTING TYPICAL SECTION GREGORY ST.  
STA. 11+49 TO STA. 24+18



EXISTING TYPICAL SECTION GREGORY ST.  
STA. 24+18 TO STA. 33+35



EXISTING TYPICAL SECTION GREGORY ST.  
STA. 33+35 TO STA. 35+64

REVISIONS	
NAME	DATE

ILLINOIS DEPARTMENT OF TRANSPORTATION  
FAU 2846: GREGORY ST.  
**EXISTING TYPICAL SECTIONS**  
SCALE: N.T.S. DRAWN BY

12/20/2006  
c:\proj\leis\139\06\design\...  
-REF-  
VI-