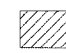


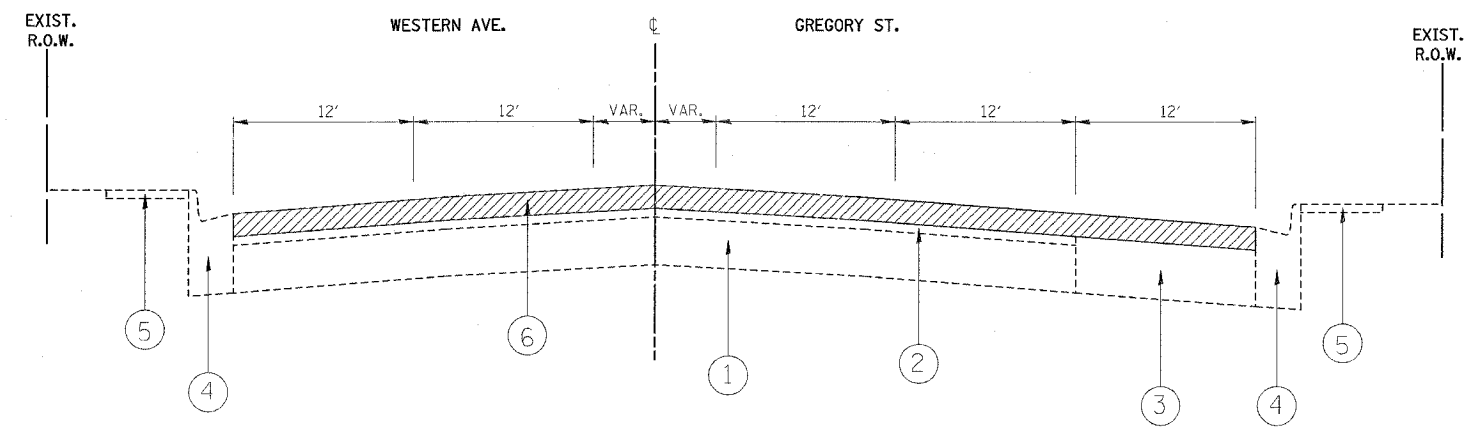
F.A.U. RTE.	SECTION	COUNTY	TOTAL SHEETS	SHEET NO.
2846	55-1414R-RS	COOK	25	4
STA.		TO STA.		
FED. ROAD DIST. NO. 1		ILLINOIS	HIGHWAY PROJECT	

60B69

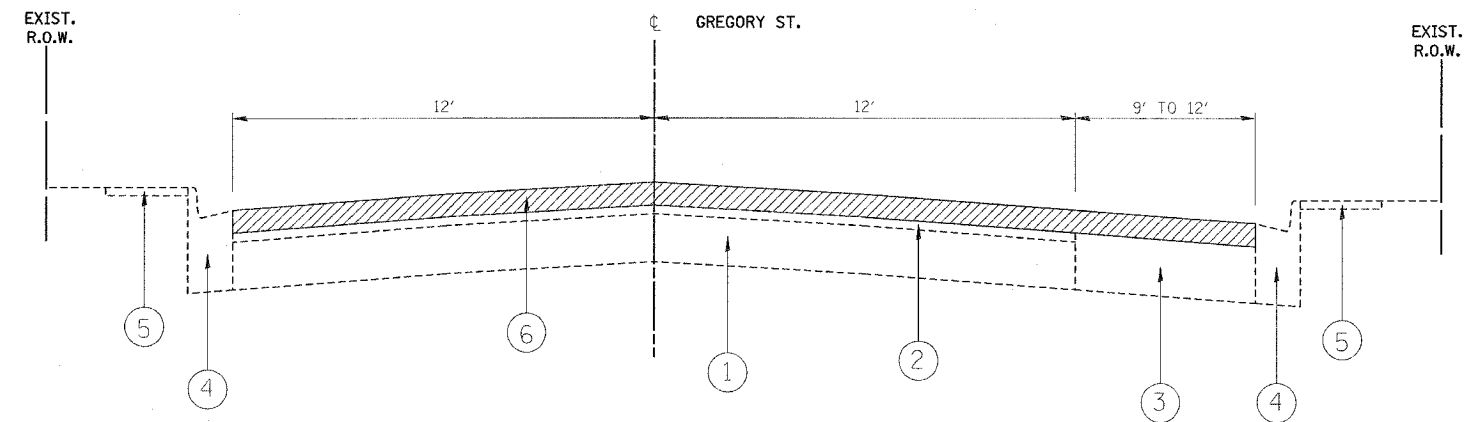
LEGEND:

- ① EXISTING P.C.C. PAVEMENT, 10" (±)
- ② EXISTING HMA OVERLAY, 3" (±)
- ③ EXISTING HMA SHOULDERS
- ④ EXISTING COMBINATION CONCRETE CURB & GUTTER, TYPE B-6.12
- ⑤ EXISTING P.C.C. SIDEWALK
- ⑥ PROPOSED HMA SURFACE REMOVAL, 2 1/4 "
- ⑦ PROPOSED POLYMERIZED LEVELING BINDER (MACHINE METHOD), IL-4.75, N50, 3/4 "
- ⑧ PROPOSED HMA SURFACE COURSE, MIX "D", N70, 1 1/2 "

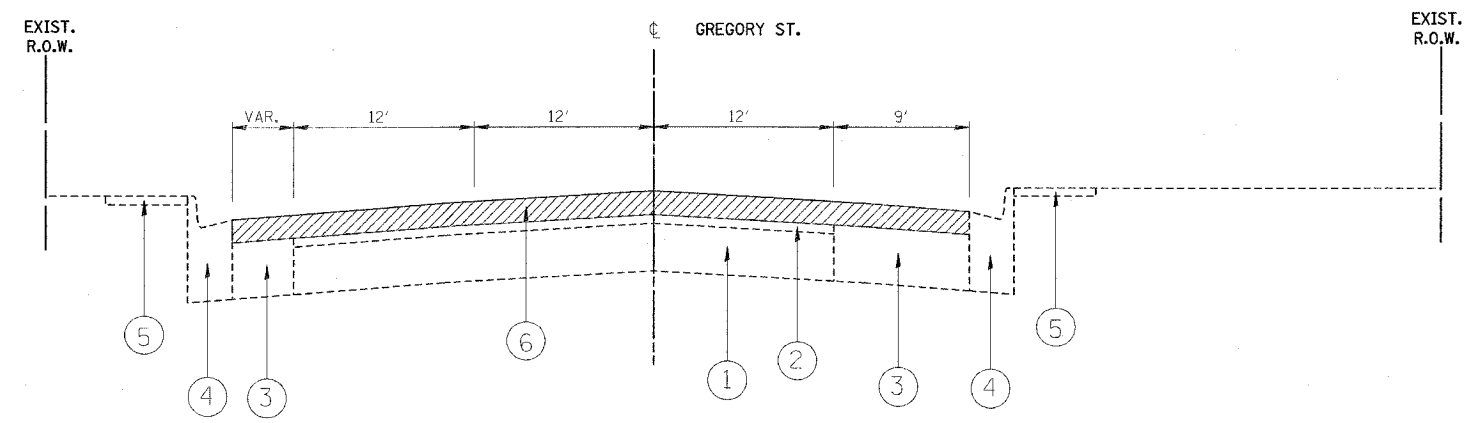
 EXISTING SURFACE REMOVAL



EXISTING TYPICAL SECTION GREGORY ST.
STA. 3+29 TO STA. 4+06



EXISTING TYPICAL SECTION GREGORY ST.
STA. 4+06 TO STA. 7+57



EXISTING TYPICAL SECTION GREGORY ST.
STA. 7+57 TO STA. 9+47

REVISIONS	
NAME	DATE

ILLINOIS DEPARTMENT OF TRANSPORTATION
FAU 2846: GREGORY ST.

EXISTING TYPICAL SECTIONS

SCALE: N.T.S. DRAWN BY

12/20/2006
c:\p\ref\ref\139406\des\gn_aad.dgn
REF-
VI=