

STATE OF ILLINOIS
DEPARTMENT OF TRANSPORTATION

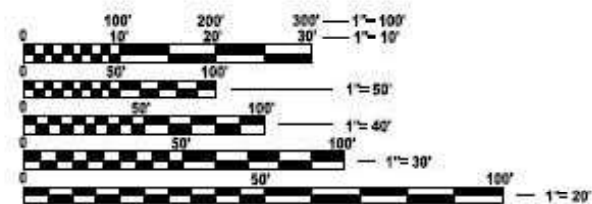
**PROPOSED
HIGHWAY PLANS**

FOR INDEX OF SHEETS, SEE SHEET NO. 2

ROUTES: VARIOUS
SECTION: 2023 VAR GRAFFITI/LITTER
DEBRIS / LITTER PICKING, GRAFFITI CLEANING & UNARMED
SECURITY PATROL
COOK COUNTY
C-91-121-24

F.A. RTE.	SECTION	COUNTY	TOTAL SHEETS	SHEET NO.
VAR	2023 VAR GRAFFITI/LITTER	COOK	7	1
		ILLINOIS	CONTRACT NO. 62W28	

D-91-107-24



FULL SIZE PLANS HAVE BEEN PREPARED USING STANDARD ENGINEERING SCALES. REDUCED SIZED PLANS WILL NOT CONFORM TO STANDARD SCALES. IN MAKING MEASUREMENTS ON REDUCED PLANS, THE ABOVE SCALES MAY BE USED.

J.U.L.I.E.
JOINT UTILITY LOCATION INFORMATION FOR EXCAVATION
1-800-892-0123
OR 811

PROJECT ENGINEER: RODRIGO LEDEZMA (847) 705-4580
PROJECT MANAGER: J. ALAIN MIDY (847) 221-3056

CONTRACT NO. 62W28

**SEE SHEETS 4 THROUGH
5 FOR LOCATION MAPS**

STATE OF ILLINOIS
DEPARTMENT OF TRANSPORTATION

SUBMITTED *November 22, 2023*

Jose Rios / OAS
REGIONAL ENGINEER

February 2, 2024
John A. Etk
ENGINEER OF DESIGN AND ENVIRONMENT

February 2, 2024
Stephen M. Lewis
DIRECTOR OF HIGHWAYS PROJECT IMPLEMENTATION

**PRINTED BY THE AUTHORITY
OF THE STATE OF ILLINOIS**

INDEX OF SHEETS

STATE STANDARDS

SHEET NO.	DESCRIPTION	STANDARD NO.	DESCRIPTION
1	TITLE SHEET	701106-02	OFF-ROAD OPERATION MULTILANE, MORE THAN 15' AWAY
2	INDEX OF SHEETS, APPLICABLE STATE STANDARDS	701426-09	LANE CLOSURE, MULTILANE, INTERMITTENT OR MOVING OPER., FOR SPEEDS > 45 MPH
3	SUMMARY OF QUANTITIES, SCHEDULE OF UNARMED SECURITY PATROL	701901-09	TRAFFIC CONTROL DEVICES
4	EXPRESSWAY CLEANING, GRAFFITI REMOVAL AND PATROL: I-90 (KENNEDY) RIVER ROAD TO CONGRESS		
5	EXPRESSWAY CLEANING, GRAFFITI REMOVAL AND PATROL: I-290 (EISENHOWER) MANNHEIM ROAD TO WELLS STREET		
6	EXPRESSWAY CLEANING, GRAFFITI REMOVAL AND PATROL: I-55 (STEVENSON) HARLEM AVENUE TO LAKE SHORE DRIVE		
7	TRAFFIC CONTROL DETAILS FOR FREEWAY SHOULDER CLOSURES AND PARTIAL RAMP CLOSURES (TC-17)		

MODEL: C:\n\10101 (Sheet)
 FILE NAME: P:\10101\10101.dwg
 PLOT DATE: 12/19/2023
 PLOT SCALE: 0.16666633 1/in.
 USER: rodrigo.ledezma

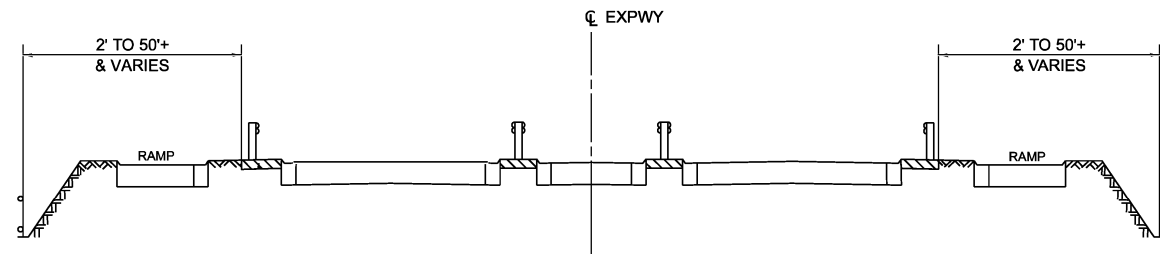
USER NAME = rodrigo.ledezma	DESIGNED -	REVISED -
	DRAWN -	REVISED -
PLOT SCALE = 0.16666633 1/in.	CHECKED -	REVISED -
PLOT DATE = 12/19/2023	DATE -	REVISED -

**STATE OF ILLINOIS
DEPARTMENT OF TRANSPORTATION**

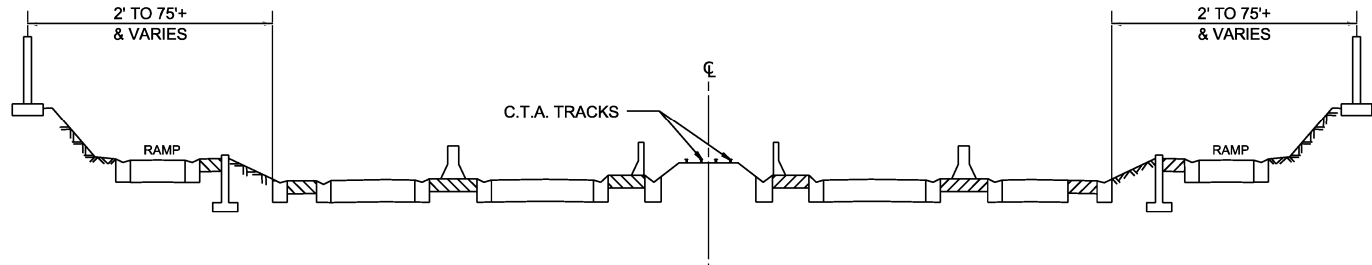
INDEX OF SHEETS, STATE STANDARDS AND GENERAL NOTES

SCALE: NONE SHEET 000 OF 4 SHEETS STA. TO STA.

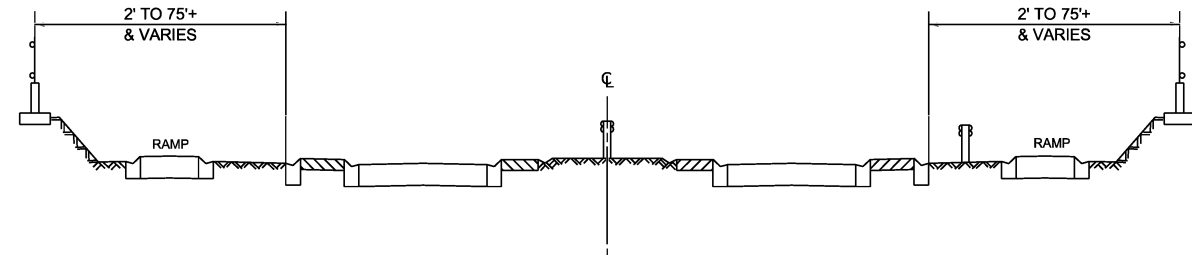
F.A.P. RTE.	SECTION	COUNTY	TOTAL SHEETS	SHEET NO.
66	SECTION	COUNTY	8	2
CONTRACT NO. C4561				
ILLINOIS FED. AID PROJECT				



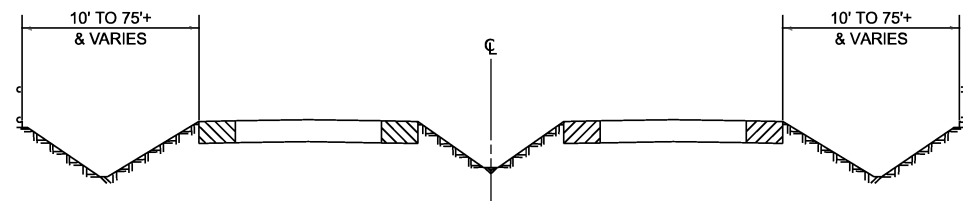
TYPICAL EXPRESSWAY CROSS-SECTION NO. 1



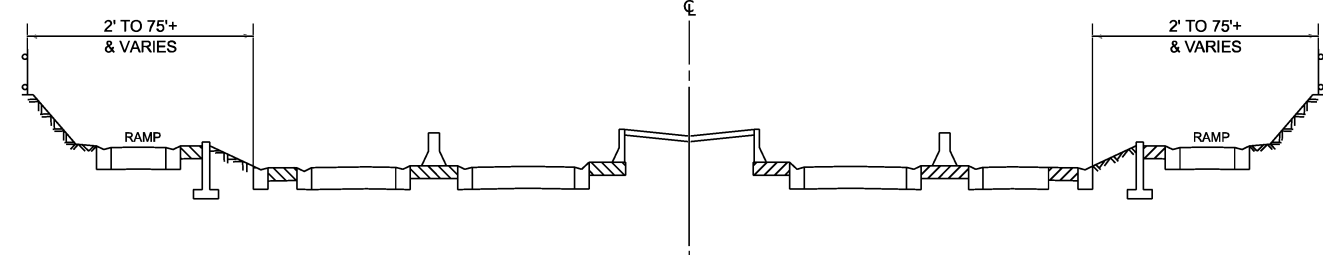
TYPICAL EXPRESSWAY CROSS-SECTION NO. 2



TYPICAL EXPRESSWAY CROSS-SECTION NO. 3



TYPICAL EXPRESSWAY CROSS-SECTION NO. 4



TYPICAL EXPRESSWAY CROSS-SECTION NO. 5

NOTES:

1. SCHEDULE MAY VARY AS DIRECTED BY THE ENGINEER.
2. ALL SCHEDULES OF ANTICIPATED STARTING DATES SHOWN ARE TENTATIVE AS DETERMINED BY THE DEPARTMENT'S OPERATIONAL NEEDS.
3. NO DAILY CONTRACTOR LITTER CLEANING AND GRAFFITI REMOVAL WORK REQUESTS/ SCHEDULING SHALL BE AUTHORIZED OR APPROVED TO START WHEN IT IS DETERMINED BY THE ENGINEER THAT WEATHER CONDITIONS WILL BE UNFAVORABLE. APPROVAL OF ALL DAILY CONTRACTOR WORK SCHEDULE REQUEST SHALL BE SOLELY DETERMINED BY THE ENGINEER AND OR PROJECT SUPERVISOR.
4. ALL SHOULDER CLOSURES SHALL BE IMMEDIATELY REMOVED DURING ALL ADVERSE WEATHER CONDITIONS **WITHOUT EXCEPTION**, INCLUDING BUT NOT LIMITED TO RAIN, WET ROAD SURFACE (SPRAY FROM TIRES), MIST, DRIZZLE, SLEET, SNOW, FOG AND ANY OTHER CIRCUMSTANCE DETERMINED UNSAFE BY THE ENGINEER. **THE CONTRACTOR SHALL IMPLEMENT THIS CONTRACT REQUIREMENT IMMEDIATELY WITHOUT WAITING FOR DEPARTMENT INSTRUCTIONS.**
5. **NO** WORK WILL BE ALLOWED ON THE FOLLOWING DATES UNLESS IT IS CONSIDERED AN EMERGENCY, IMMEDIATE HAZARD OR ANY WORK AS DESIGNATED BY THE DEPARTMENT THAT REQUIRES FIRST PRIORITY CORRECTIVE ACTION:

 EASTER HOLIDAY
 MEMORIAL DAY HOLIDAY
 INDEPENDENCE DAY HOLIDAY
 LABOR DAY HOLIDAY
 THANKSGIVING HOLIDAY
 CHRISTMAS EVE / NEW YEARS HOLIDAY
6. SOME LOCATIONS MAY REQUIRE WORK TO BE PERFORMED WITHIN RAILROAD RIGH T OF WAY. THE CONTRACTOR SHALL BE RESPONSIBLE FOR THE COST OF RAILROAD FLAGGING SERVICES, PRELIMINARY ENGINEERING, CONSTRUCTION ENGINEERING, FIELD INSPECTION, OBTAINING RAILROAD PROTECTIVE LIABILITY AND PROPERTY DAMAGE LIABILITY INSURANCE IN ACCORDANCE WITH ARTICLES 107.11 AND 107.12 OF THE STANDARD SPECIFICATIONS. THIS WORK SHALL BE PAID IN ACCORDANCE WITH ARTICLE 109.04 AND 109.05 OF THE STANDARD SPECIFICATIONS. THE CONTRACTOR SHALL PAY ALL COSTS FOR REQUIRED PERMITS TO OBTAIN PERMISSION FOR RIGHT OF ENTRY ON THE RAILROAD RIGHT OF WAY. THE COSTS FOR SUCH PERMITS WILL NOT BE PAID FOR SEPARATELY BUT SHALL BE INCLUDED AS PART OF THE CONTRACT.

SUMMARY OF QUANTITIES

CODE NO.	ITEM	UNIT	URBAN	100 % STATE
			TOTAL QUANTITIES	EXPRESSWAY
X0300062	GRAFFITI REMOVAL	SQ YD	35000	35000
X0326643	LITTER PICKING	MILE	294	294
X0323879	SERVICE PATROL	CAL DAY	9	9

MODEL: Typical (Sheet)
 FILE NAME: c:\p\work\civil\ledezma\mmd0926688D110724-shr-typical.dgn

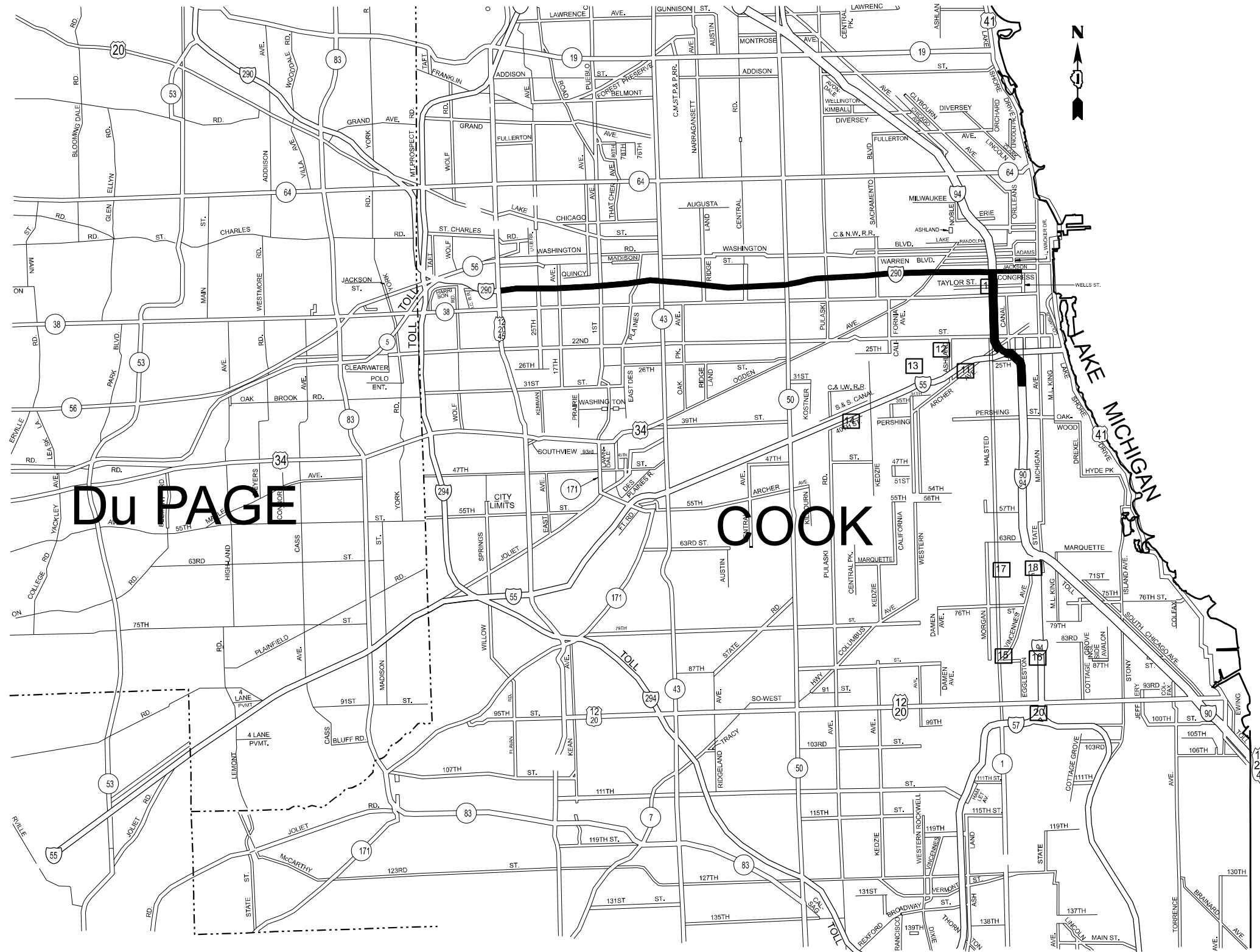
USER NAME = rodrigo.ledezma	DESIGNED -	REVISED -
	DRAWN -	REVISED -
PLOT SCALE = 0.16666633' / in.	CHECKED -	REVISED -
PLOT DATE = 12/18/2023	DATE -	REVISED -

**STATE OF ILLINOIS
DEPARTMENT OF TRANSPORTATION**

EXPRESSWAY TYPICAL CROSS SECTION

SCALE: SHEET OF 1 SHEETS STA. TO STA.

F.A. RTE.	SECTION	COUNTY	TOTAL SHEETS	SHEET NO.
VAR	2023 VAR GRAFFITI/LITTER	COOK	7	3
CONTRACT NO. 62W28				
ILLINOIS FED. AID PROJECT				



DEBRIS / LITTER PICKING

Eisenhower Expressway

Interstate 290 and its appurtenances from Wells St. to U.S. 12/20/45 (Mannheim Rd.) right hand side and all ramps. The eastbound collector-distributor lanes and ramps at the U.S. 12/20/45 (Mannheim Rd.) interchange.

Dan Ryan Expressway

Interstate 94 from Congress Parkway to 35th St right hand side of both local and express lanes and all ramps except slip ramps between local and express lanes.

GRAFFITI REMOVAL & UNARMED SECURITY PATROL

Eisenhower Expressway

Interstate 290 (Eisenhower) Expressway and all ramps from 1st Ave to Wells Street.

Dan Ryan Expressway

Interstate 90/94 (Dan Ryan) Expressway and all ramps from Ontario Street to 35th Street including Ohio Street and Ontario Street feeder ramps, Chinatown feeder ramps, and all other ramps within limits.

ACCIDENT INVESTIGATION SITES:

FOR LOCATIONS 1-10, SEE INNER CITY EXPRESSWAY (NORTH SECTION)

- 11 INBOUND INTERSTATE 55 AT HALSTED STREET
- 12 OUTBOUND INTERSTATE 55 AT THROOP STREET
- 13 INBOUND INTERSTATE 55 AT WOOD STREET. (LOCATED UNDER I-55)
- 14 OUTBOUND INTERSTATE 55 AT KEDZIE AVENUE
- 15 INTERSTATE 90/94 AT 87th STREET (NORTHBOUND AND SOUTHBOUND)
- 16 INTERSTATE 90/94 AT 71st STREET (NORTHBOUND AND SOUTHBOUND)
- 17 INTERSTATE 90/94 AT POLK STREET
- 18 INTERSTATE 90/94 AT KING DRIVE

DISTRICT NO. 1

- STATE HIGHWAYS & EXPRESSWAYS WITHIN STATE JURISDICTION (EXCEPT TOLLWAYS)
- STATE HIGHWAYS & EXPRESSWAYS TO BE CLEANED
- FUTURE HIGHWAYS
- VARIOUS AGENCIES HIGHWAYS

MODEL: D:\m102 (Sheet)
 FILE NAME: P:\MIDOT\Documents\DOT Office\District 1\ORD Project\Debris and Litter Contracts\2024\10724\CD\Map\CD\DebrisD1\0724-Debris.dwg

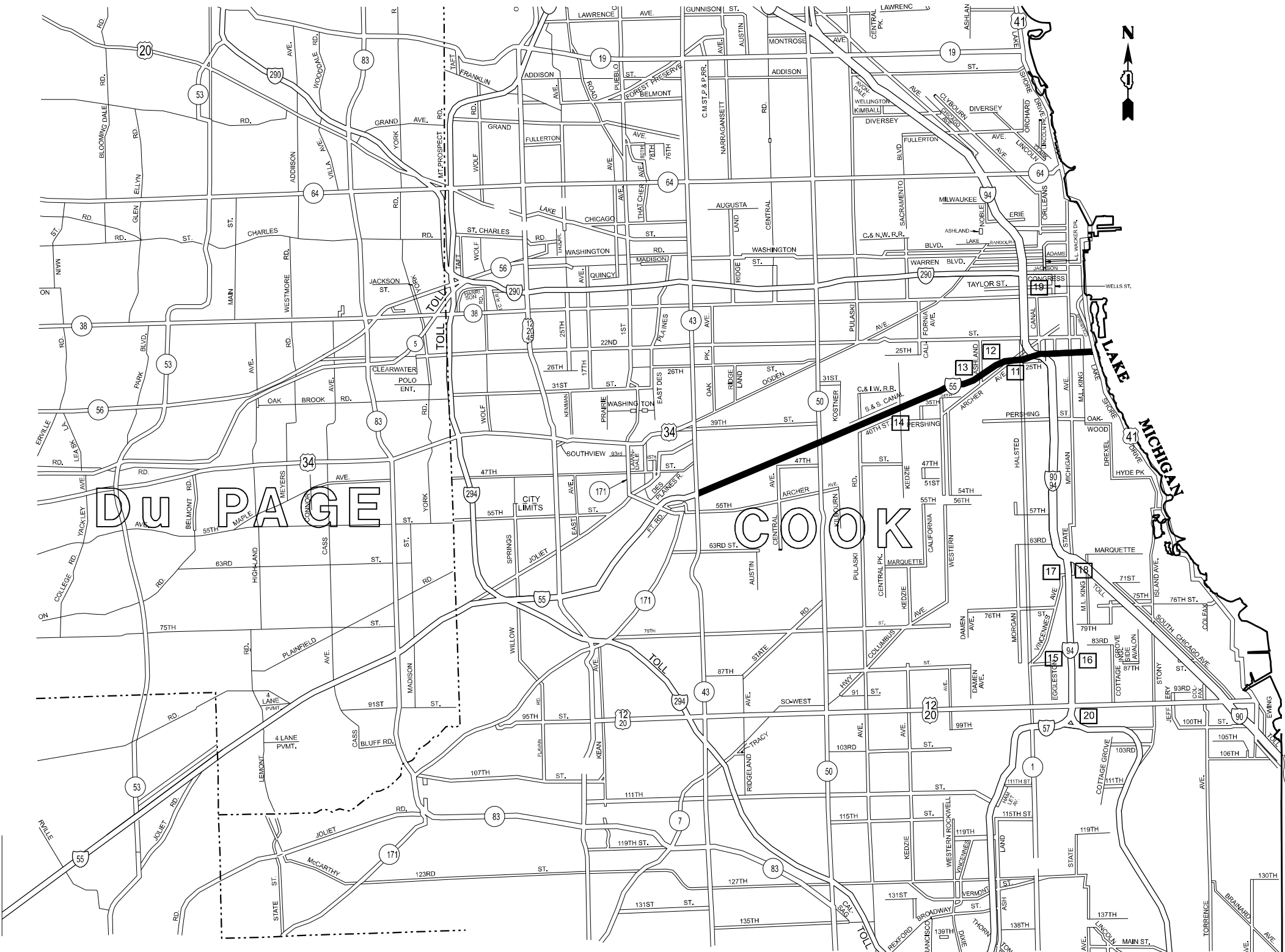
USER NAME = rodrigo.ledezma	DESIGNED -	REVISED -
	DRAWN -	REVISED -
PLOT SCALE = 0.16666833 / in.	CHECKED -	REVISED -
PLOT DATE = 12/19/2023	DATE -	REVISED -

**STATE OF ILLINOIS
DEPARTMENT OF TRANSPORTATION**

**EXPRESSWAY LITTER PICKING & GRAFFITI CLEANING
I-55 (STEVENSON) & I-90/94 (DAN RYAN)**

SCALE: SHEET 2 OF 3 SHEETS STA. TO STA.

F.A. RTE.	SECTION	COUNTY	TOTAL SHEETS	SHEET NO.
VAR	2023 VAR GRAFFITI/LITTER	COOK	7	5
			CONTRACT NO. 62W28	
ILLINOIS FED. AID PROJECT				



DEBRIS / LITTER PICKING

Stevenson Expressway
 Interstate 55 (Stevenson Expressway) from Lake Shore Drive to ILL. Route 43 (Harlem Ave.), including First Avenue, from 43rd Street to Archer Avenue, and all accident investigation sites within the aforementioned limits, excluding the entire Stevenson - Dan Ryan Interchange.

GRAFFITI REMOVAL & UNARMED SECURITY PATROL

Stevenson Expressway
 Interstate 55 (Stevenson) Expressway and all ramps from Harlem to Lake Shore Drive.

- ACCIDENT INVESTIGATION SITES:**
 FOR LOCATIONS 1-10, SEE INNER CITY EXPRESSWAY (NORTH SECTION)
- 11 INBOUND INTERSTATE 55 AT HALSTED STREET
 - 12 OUTBOUND INTERSTATE 55 AT THROOP STREET
 - 13 INBOUND INTERSTATE 55 AT WOOD STREET. (LOCATED UNDER I-55)
 - 14 OUTBOUND INTERSTATE 55 AT KEDZIE AVENUE
 - 15 INTERSTATE 90/94 AT 87th STREET (NORTHBOUND AND SOUTHBOUND)
 - 16 INTERSTATE 90/94 AT 71st STREET (NORTHBOUND AND SOUTHBOUND)
 - 17 INTERSTATE 90/94 AT POLK STREET
 - 18 INTERSTATE 90/94 AT KING DRIVE
 - 19 INTERSTATE 90/94 AT KING DRIVE
 - 20 INTERSTATE 90/94 AT KING DRIVE

DISTRICT NO. 1

- STATE HIGHWAYS & EXPRESSWAYS WITHIN STATE JURISDICTION (EXCEPT TOLLWAYS)
- STATE HIGHWAYS & EXPRESSWAYS TO BE CLEANED
- FUTURE HIGHWAYS
- VARIOUS AGENCIES HIGHWAYS

MODEL: D:\m103 (Sheet) FILE NAME: p:\boc\poc\staff\com\p\m\DOT\Documents\DOT Office\District 1\ORD Projects\Debris and Litter Contracts\2024\10724\CD\Draw\CD\DrawSheetD1\0724-eh\eh.dwg

USER NAME = rodrigo.ledezma	DESIGNED -	REVISED -
	DRAWN -	REVISED -
PLOT SCALE = 0.16666833 / in.	CHECKED -	REVISED -
PLOT DATE = 12/19/2023	DATE -	REVISED -

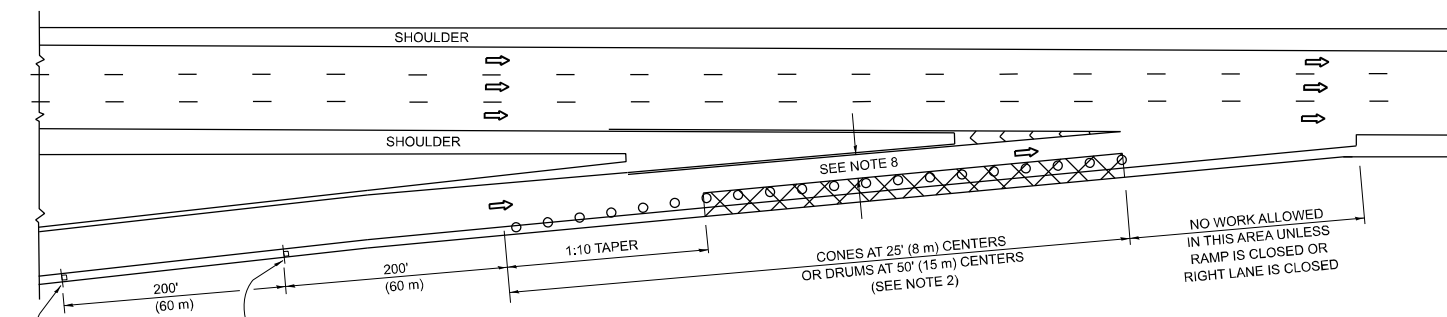
**STATE OF ILLINOIS
 DEPARTMENT OF TRANSPORTATION**

**EXPRESSWAY LITTER PICKING & GRAFFITI CLEANING
 I-55 (STEVENSON)**

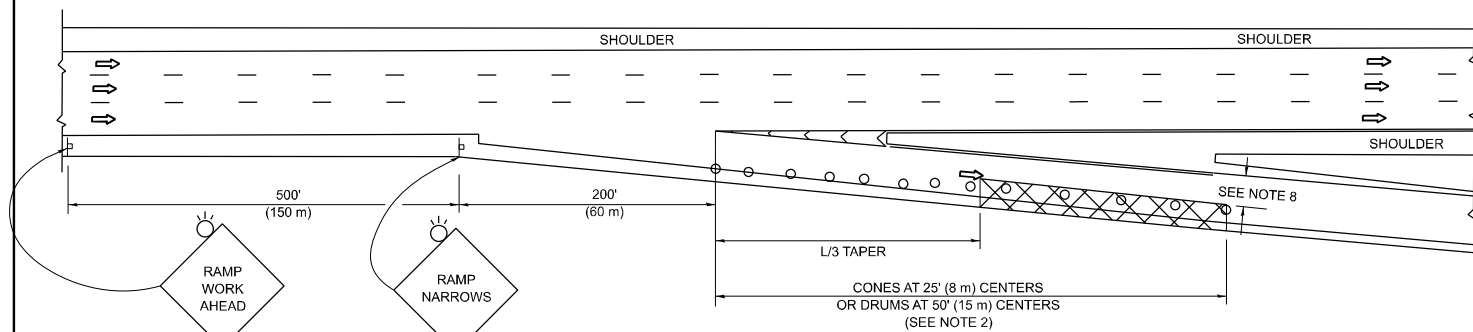
SCALE: SHEET 3 OF 3 SHEETS STA. TO STA.

F.A. RTE.	SECTION	COUNTY	TOTAL SHEETS	SHEET NO.
VAR	2023 VAR GRAFFITI/LITTER	COOK	7	6
			CONTRACT NO. 62W28	
ILLINOIS FED. AID PROJECT				

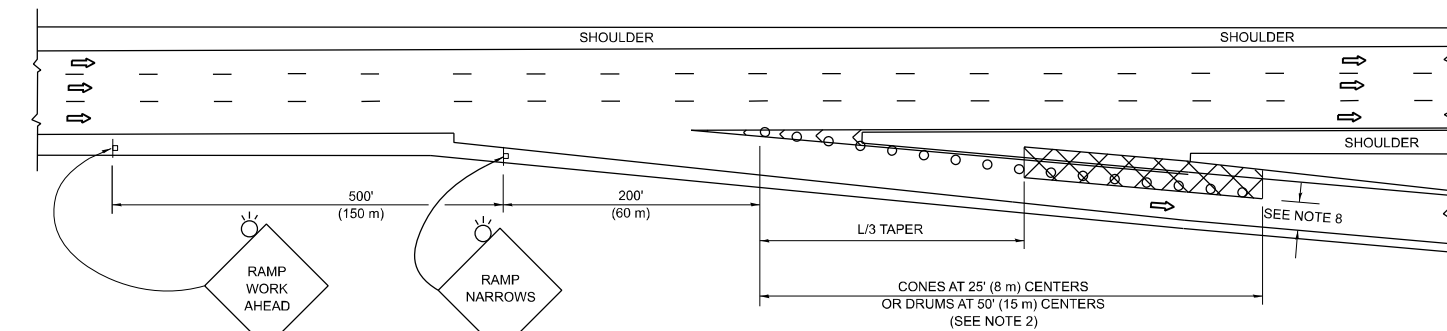
PARTIAL RAMP CLOSURE DETAILS



TYPICAL ENTRANCE RAMP



TYPICAL EXIT RAMP



TYPICAL EXIT RAMP

SYMBOLS

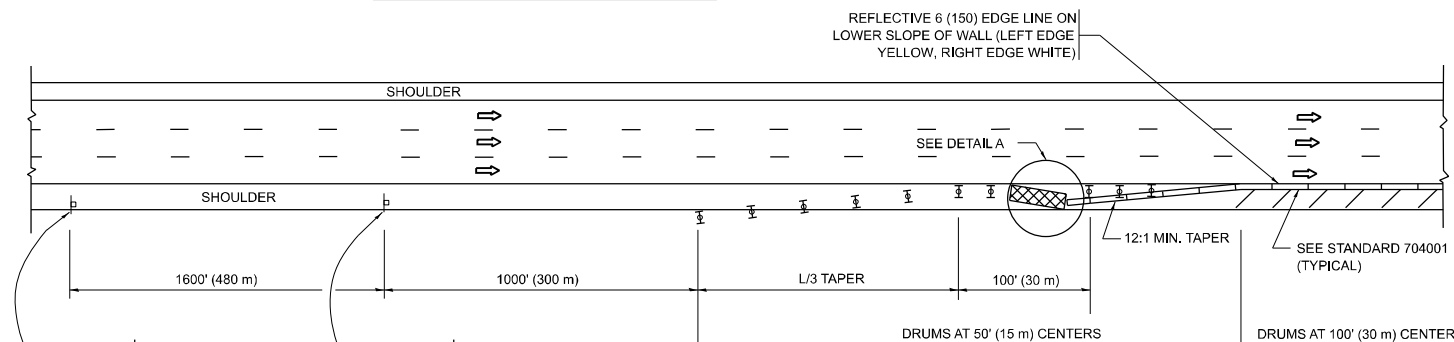
- ACTIVE WORK AREA
- SIGN ON PORTABLE OR PERMANENT SUPPORT
- FLAGGER WITH CONTROL SIGN
- TYPE II BARRICADE OR DRUM
- CONE, DRUM OR BARRICADE
- IMPACT ATTENUATOR OF TYPE AND TEST LEVEL SPECIFIED

GENERAL NOTES:

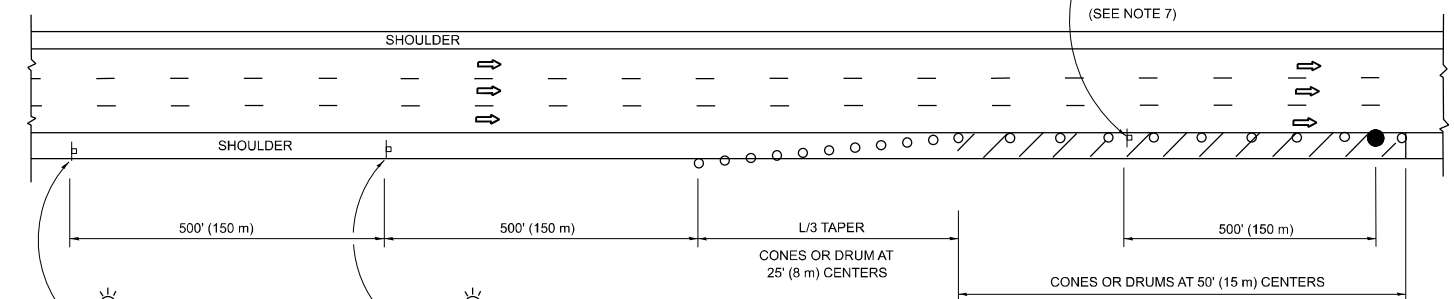
1. THE "L" DISTANCE EQUALS:

SPEED LIMIT	FORMULAS
45 mph (80 km/h) OR GREATER:	METRIC ENGLISH L=0.65(W)(S) L=(W)(S)
W = WIDTH OF OFFSET IN FEET (METERS) S = NORMAL POSTED SPEED MPH (KM/H)	
2. TYPE II BARRICADES OR DRUMS ARE REQUIRED FOR ALL NIGHTTIME CLOSURES. TYPE II BARRICADES OR DRUMS WITH MONODIRECTIONAL STEADY BURN LIGHTS ARE REQUIRED FOR DELINEATING OBSTACLES, EXCAVATIONS, OR HAZARDS EXCEEDING 100 FT (30m) IN LENGTH AT NIGHT.
3. ALL SIGNS SHALL BE POST MOUNTED IF THE CLOSURE TIME EXCEEDS FOUR DAYS.
4. FLASHING LIGHTS SHALL BE USED DURING THE HOURS OF DARKNESS AND SHALL BE INSTALLED ABOVE THE FIRST TWO SETS OF SIGNS.

SHOULDER CLOSURE DETAILS

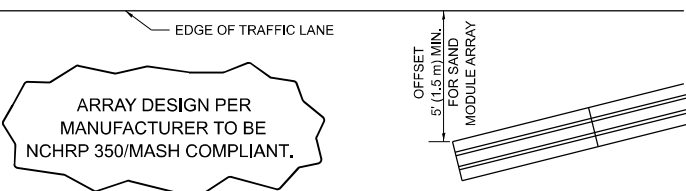


PERMANENT SHOULDER CLOSURE



TEMPORARY SHOULDER CLOSURE

- THIS DETAIL IS USED WHERE:
1. VEHICLES, EQUIPMENT, WORKERS OR THEIR ACTIVITIES ENCR OACH IN AN AREA CLOSER THAN 15' (4.5 m) TO THE EDGE OF PAVEMENT FOR A PERIOD IN EXCESS OF 15 MINUTES.



**DETAIL "A"
IMPACT ATTENUATOR, TEMPORARY
(SEE NOTE 5)**

5. THE IMPACT ATTENUATOR, TEMPORARY IS NOT REQUIRED WHEN THE TEMPORARY CONCRETE BARRIER WALL IS PROTECTED BY OR IS TIED INTO THE EXISTING GUARDRAIL. IF OFFSET IS LESS THAN 5 FEET USE NARROW USE TYPE DEVICE TO MEET NCHRP350/MASH.
6. AUTHORIZATION FROM THE DISTRICT'S BUREAU OF TRAFFIC IS REQUIRED FOR ALL FREEWAY CLOSURES.
7. THE FLAGGER AND FLAGGER SIGN ARE REQUIRED AT THE ABOVE WORK SITES WHEN:
 - a. FOUR OR MORE WORK VEHICLES ENTER THE TRAFFIC LANES IN A ONE HOUR PERIOD.
 - b. THE WORK AVTIVITY REQUIRES FREQUENT ENCR OACHMENT INTO THE LANE OPEN TO TRAFFIC.
 THE FLAGGER SHALL BE STATIONED APPROXIMATELY 100' (30 m) TO 200' (60 m) IN ADVANCE OF THE WORKERS.
8. 12' MIN. WIDTH TANGENT SECTION
16' MIN. WIDTH CURVE SECTION.
9. TEMPORARY SHOULDER AND NON-SYSTEM INTERCHANGE PARTIAL RAMP CLOSURES ARE ALLOWED WEEKDAYS BETWEEN 9:00 A.M. AND 3:00 P.M. AND BETWEEN 7:00 P.M. AND 5:00 A.M. OR AS APPROVED BY THE EXPRESSWAY TRAFFIC OPERATIONS ENGINEER. PERMANENT SHOULDER AND PARTIAL RAMP CLOSURES WILL ONLY BE PERMITTED IF CALLED FOR IN THE PLANS OR AS APPROVED BY THE EXPRESSWAY OPERATIONS ENGINEER.

ALL DIMENSIONS ARE IN INCHES (MILLIMETERS) UNLESS OTHERWISE SHOWN.

MODEL: TC-17 (Sheet)
FILE NAME: c:\p\work\wv\wv\ledezma\m\026688\110724-shl-DistStatus.dgn

USER NAME = rodrigo.ledezma	DESIGNED -	REVISED - S.P.B. 12-09
	DRAWN - D.W.S.	REVISED - M.D. 06-13
PLOT SCALE = 0.16666833 / in.	CHECKED -	REVISED - M.D. 01-18
PLOT DATE = 10/31/2023	DATE - 11-96	REVISED - M.D. 10-20

**STATE OF ILLINOIS
DEPARTMENT OF TRANSPORTATION**

**TRAFFIC CONTROL DETAILS FOR FREEWAY
SHOULDER CLOSURES AND PARTIAL RAMP CLOSURES**

SCALE: NONE SHEET 1 OF 1 SHEETS STA. TO STA.

F.A. RTE.	SECTION	COUNTY	TOTAL SHEETS	SHEET NO.
VAR	2023 VAR GRAFFITULITER	COOK	7	7
TC-17			CONTRACT NO. 62W28	
ILLINOIS FED. AID PROJECT				