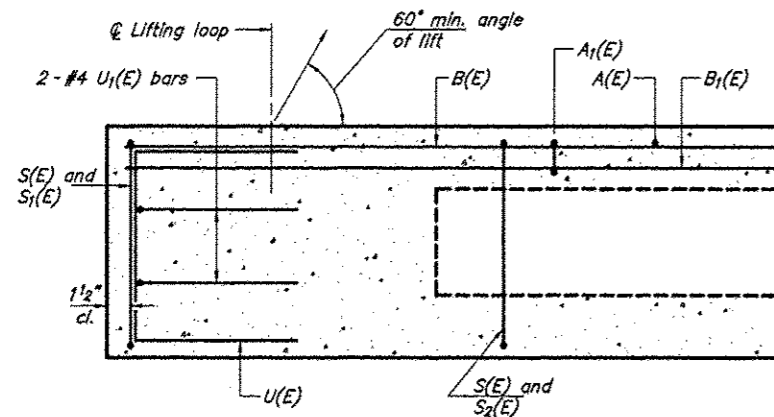
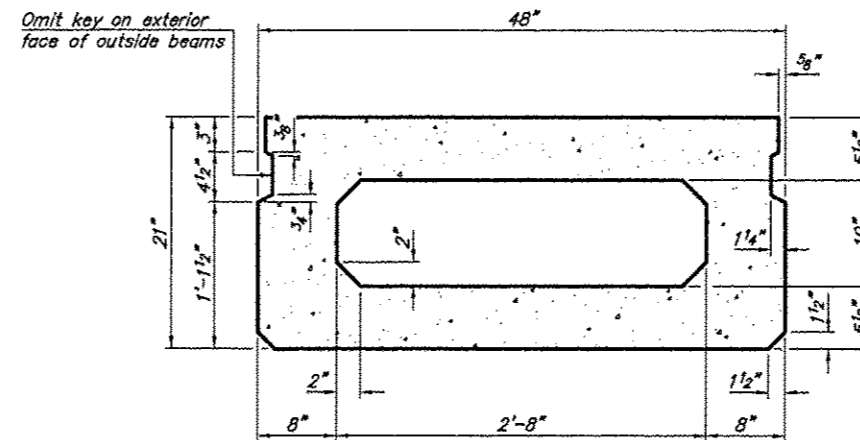


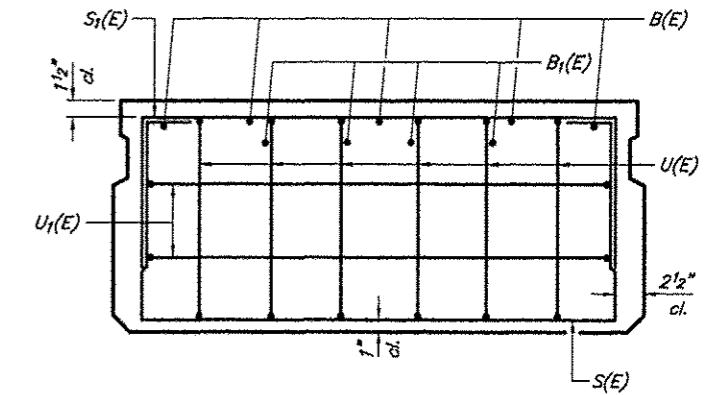
ROUTE	SECTION	COUNTY	TOTAL SHEETS	SHEET NO
TR 44	11-01164-00-BR	ALEXANDER	12	6
PROJECT NO. BROS-0003(128)			CONTRACT NO. 99461	



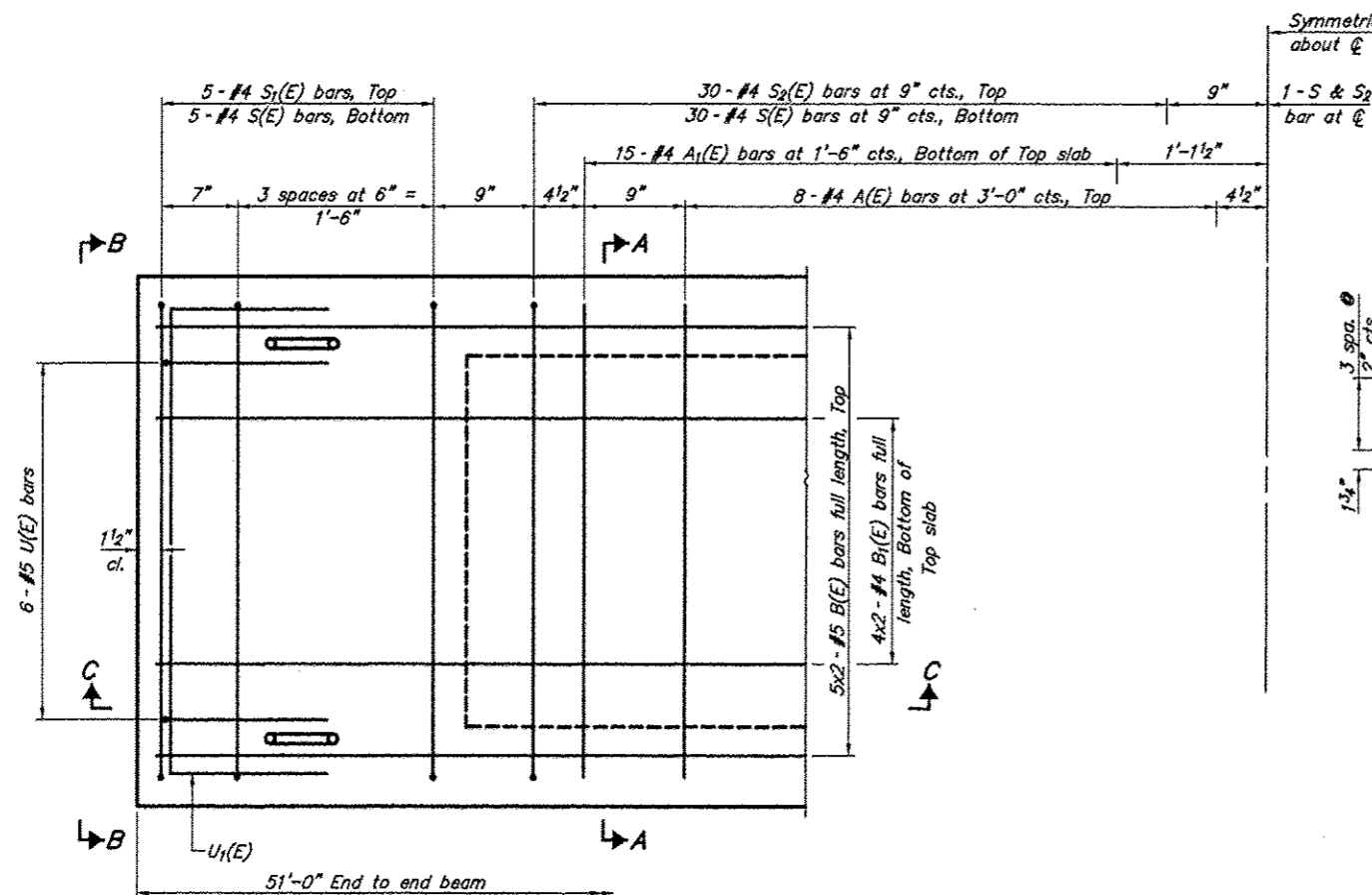
SECTION C-C



SECTION A-A
(Showing dimensions)

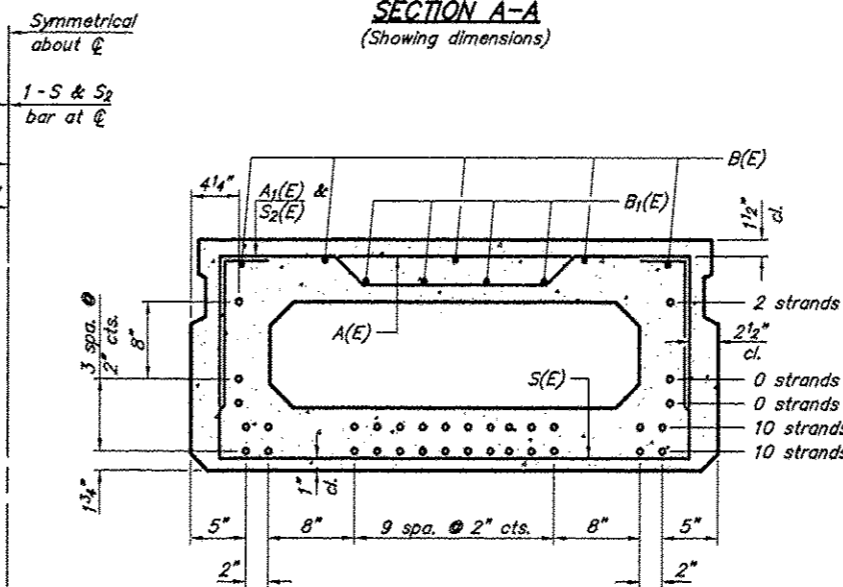


VIEW B-B



PLAN VIEW

Note: Spacing of S(E) and S₂(E) bars may be adjusted up to 4" in the immediate area of the transverse tie diaphragms to miss the block outs for the transverse ties.



SECTION A-A
(Showing reinforcement and permissible strand locations)

Note: Place the number of strands specified in each row symmetrically about the centerline of beam in the permissible strand locations shown.

BAR LIST
ONE BEAM ONLY
(For information only)

Bar	No.	Size	Length	Shape
A(E)	16	#4	3'-7"	—
A ₁ (E)	30	#4	3'-10"	—
B(E)	10	#5	26'-5"	—
B ₁ (E)	8	#4	26'-2"	—
S(E)	71	#4	7'-5"	□
S ₁ (E)	10	#4	5'-11"	□
S ₂ (E)	61	#4	6'-2"	□
U(E)	12	#5	4'-0"	□
U ₁ (E)	4	#4	6'-0"	□

Bar Laps #4 bars = 1'-8"
#5 bars = 2'-2"

21" X 48" PPC DECK BEAM
TOWNSHIP ROUTE 44 (TWENTY CROSSING ROAD)
TRIBUTARY TO CIRCLE DITCH
SECTION 11-01164-00-BR
ALEXANDER COUNTY
STRUCTURE NO. 002-3110