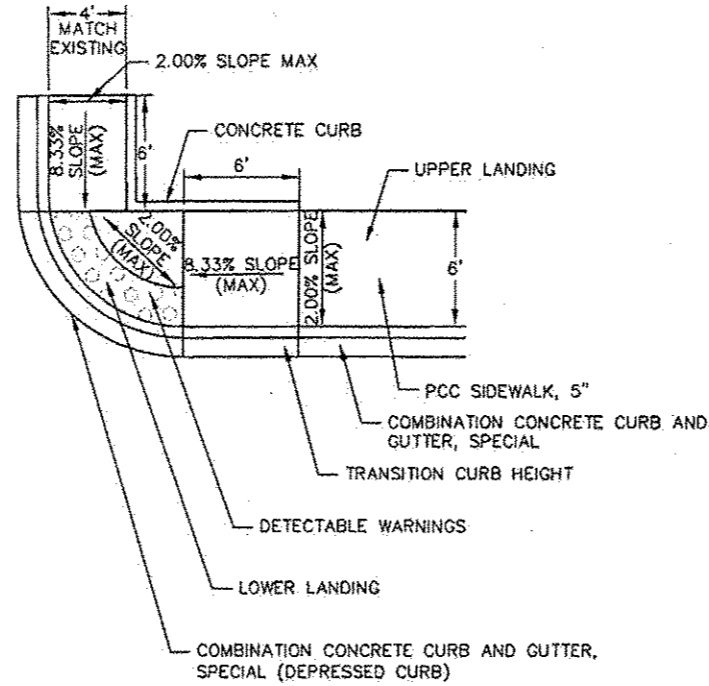
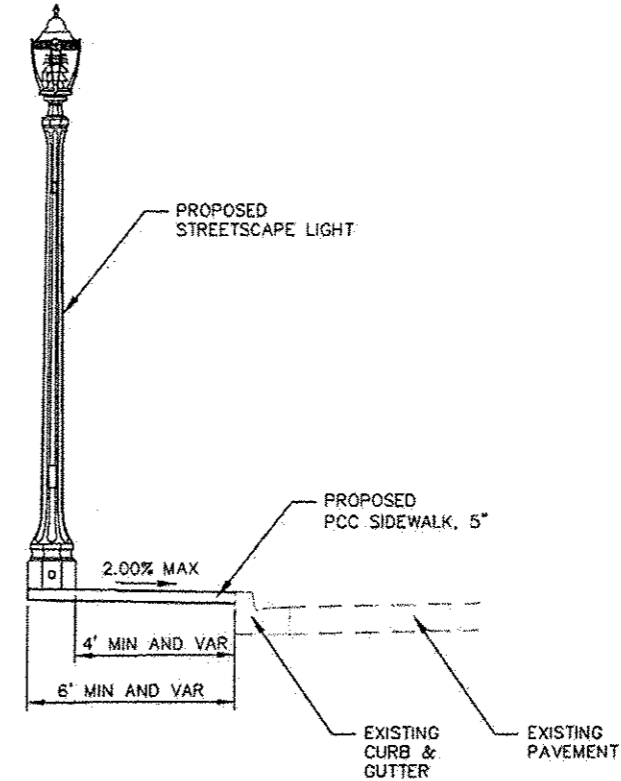


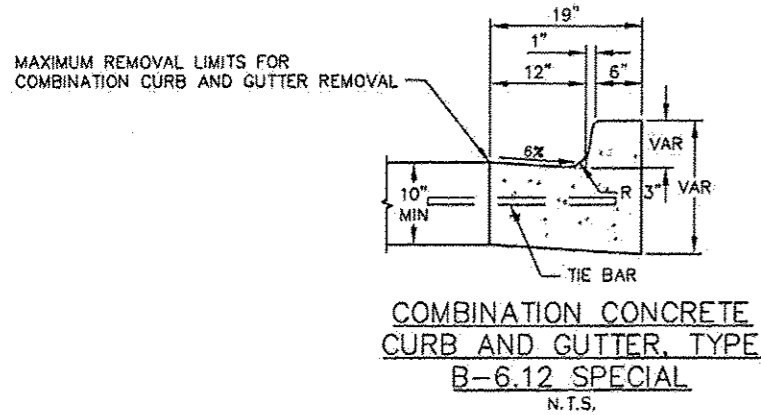
**CURB RAMP DETAIL NW QUADRANT W. HIGH AND N. MAIN STREET**  
N.T.S.



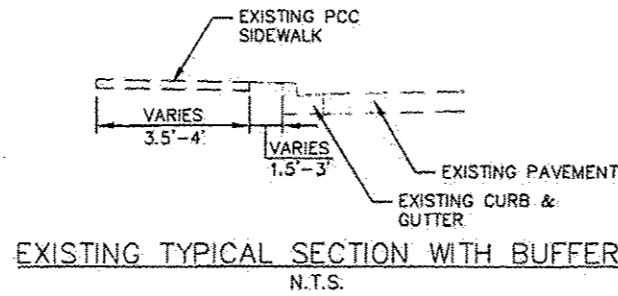
**CURB RAMP DETAIL NW QUADRANT W. DUNN AND N. MAIN STREET**  
N.T.S.



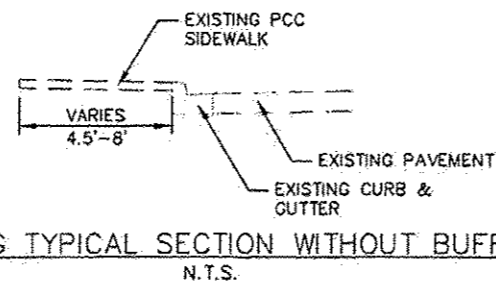
**TYPICAL SECTION W/LIGHT DETAIL**  
N.T.S.



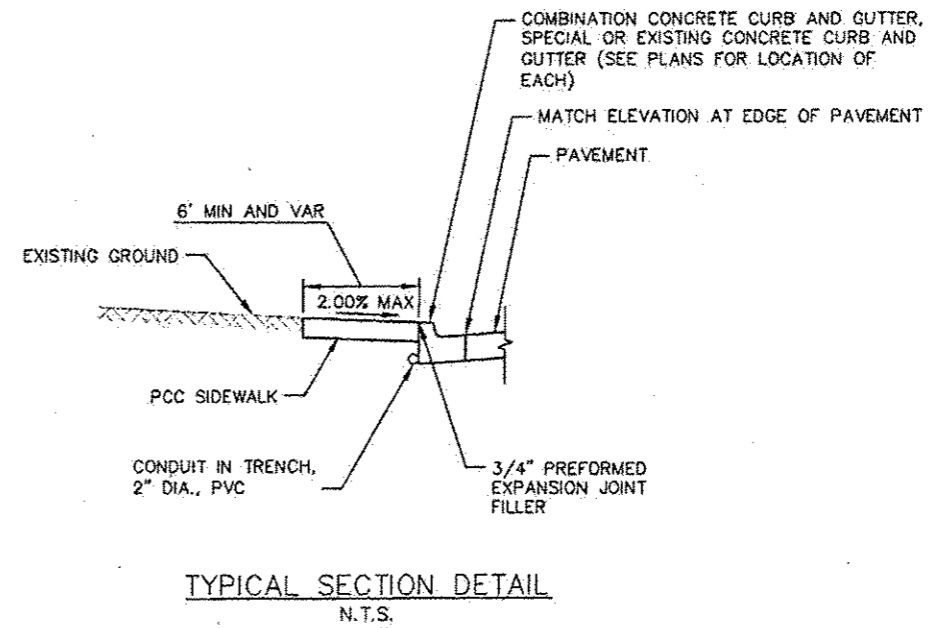
**COMBINATION CONCRETE CURB AND GUTTER, TYPE B-6.12 SPECIAL**  
N.T.S.



**EXISTING TYPICAL SECTION WITH BUFFER**  
N.T.S.



**EXISTING TYPICAL SECTION WITHOUT BUFFER**  
N.T.S.



**TYPICAL SECTION DETAIL**  
N.T.S.

208 East Main Street, Suite 100  
Belleville, Illinois 63220  
618.233.5877 phone  
618.233.5977 fax  
www.kaskaskiaeng.com  
LICENSE NO. 184.004773  
20-5080586

**Kaskaskia**  
Engineering Group, LLC  
PROFESSIONAL REGISTRATIONS  
Illinois Professional Design Firm  
Professional Engineering Group

PREPARED BY:

SHEET TITLE:  
**ROADWAY DETAILS & TYPICAL SECTIONS**

PROJECT TITLE:  
**SEC 10-00085-01-LS  
NORTH MAIN STREET STREETSCAPE  
CITY OF EDWARDSVILLE, ILLINOIS**

DESIGNED BY:	SMS	SHEET
DRAWN BY:	SAIS	17
CHECKED BY:	LDC	
DATE OF PRE-FINAL:	8/17/12	
DATE OF FINAL:	10/12/12	
SHEET NO. 17 OF 18 SHEETS		
PROJECT NUMBER 09-1074.01		