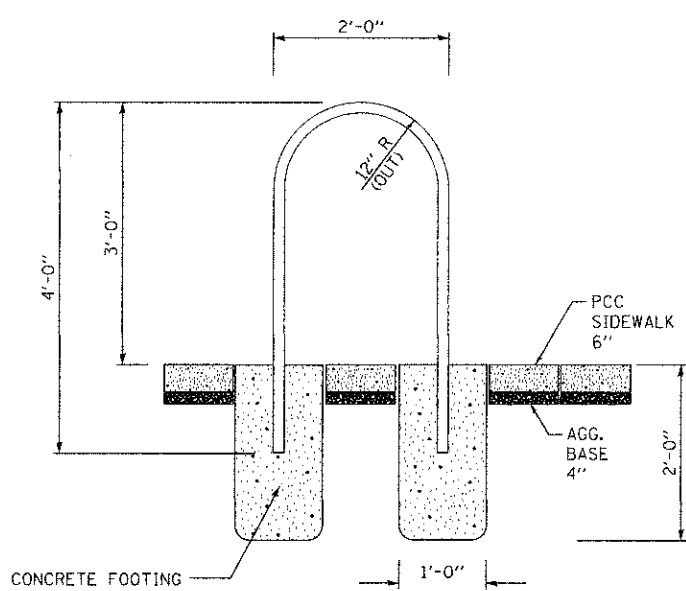


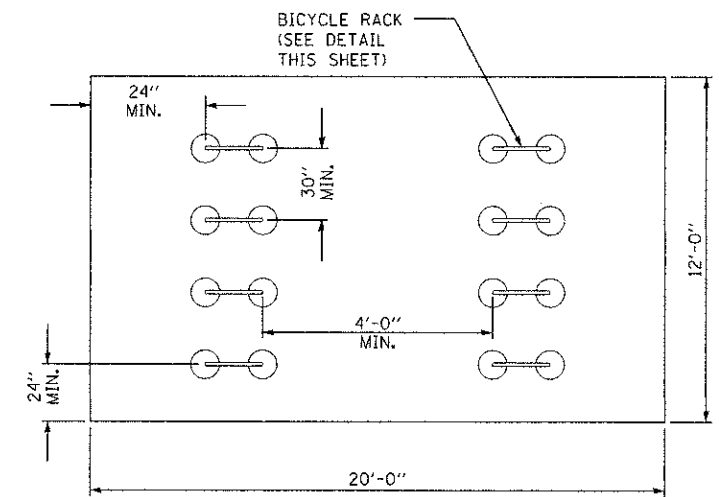
NOTE 1:  
ALUMINUM PIPE AND STEEL PIPE SHALL BE COVERED WITH YELLOW RETROREFLECTIVE SHEETING MEETING THE REQUIREMENTS OF ARTICLE 1106.01 OF THE STANDARD SPECIFICATIONS

**BOLLARDS**  
N.T.S.

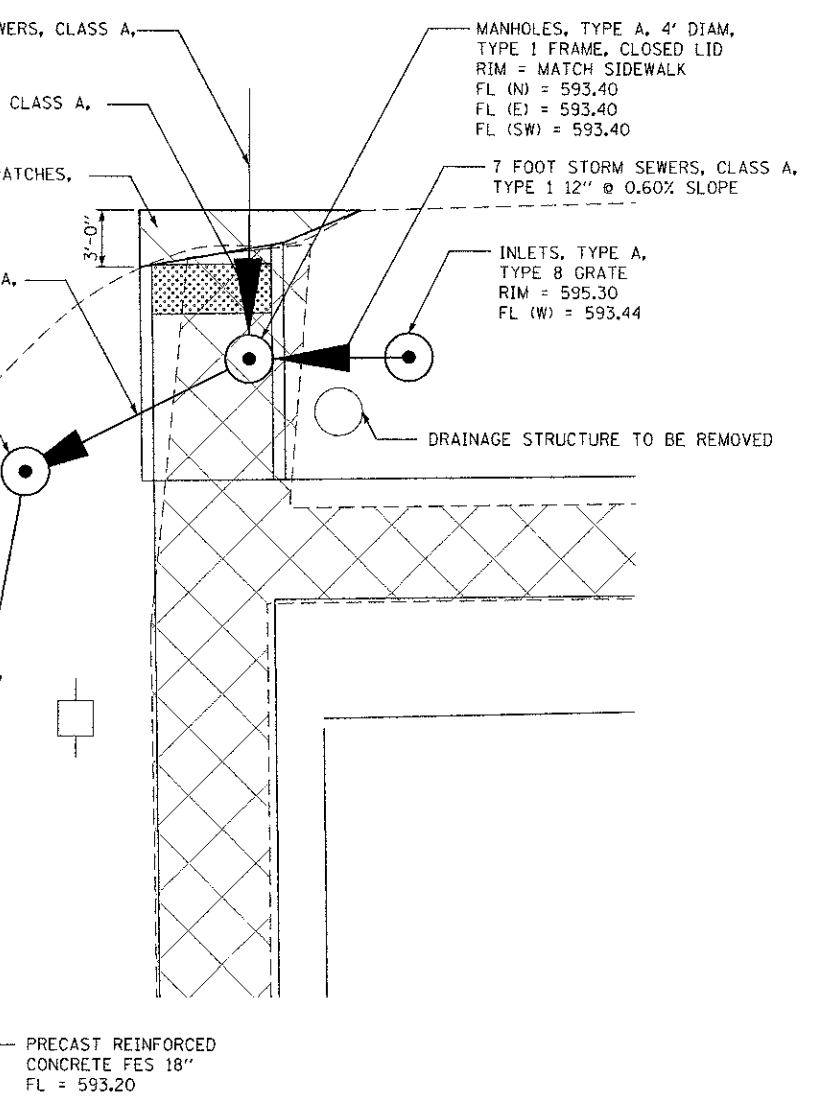


- SPECIFICATIONS**
- A. MATERIAL 1/2" SCHEDULE 40 (.148" WALL) BLACK IRON PIPE, O.D. = 1.90"
  - B. COATING OF PART AS FOLLOWS:
    1. COLOR - DARK BROWN
    2. TEXTURE - REGULAR GRAIN
    3. GROSS - SEMI-MATTE
    4. HARDNESS, SHORE A-95 +/-3
    5. TENSILE STRENGTH - 1800 PSI MIN.
    6. MILDEW RESISTANT ADDITIVE
    7. U.V. SCREENING ADDITIVE
    8. RESISTANT TO COLOR CHANGE
    9. RESISTANCE TO ABRASION WHEN USED AS INTENDED
    10. PRIMER - ENTIRE PART IS PRIMED EVEN THOUGH IT IS COMPLETELY COATED. PRIMER MAKES PEELING OF JACKET FROM THE PART IMPOSSIBLE UNLESS IT IS SHAVED OFF WITH RAZOR KNIFE OR SIMILAR INSTRUMENT.

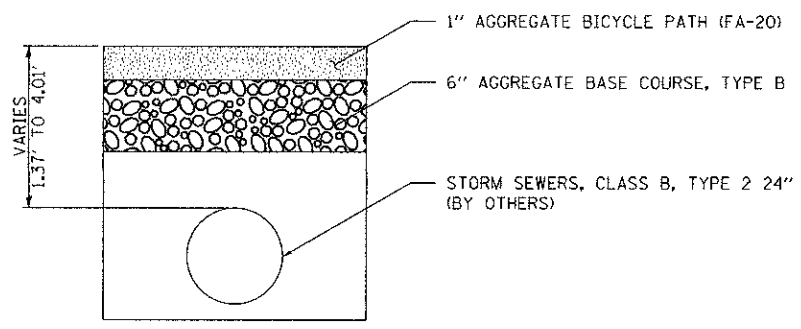
**BICYCLE RACK INSTALLATION**  
N.T.S.



**BICYCLE PARKING AREA**  
N.T.S.



**WALNUT STREET & CONREY STREET**  
**STORM SEWER DETAIL**  
N.T.S.



**BACKFILL DETAIL ALONG**  
**EXISTING BIKE PATH**  
N.T.S.

FILE NAME = 10-47-04-wm-Detail.dgn  
MODEL = Default  
PLOT DRIVER = YB\_PDF\_22x34.plt

<b>QEI</b> QUIGG ENGINEERING INC	USER NAME = mautheard	DESIGNED - KLK	REVISED - 05/18/12-MDS-IDOT REVIEW
	FILE NAME = 10-47-04-wm-Detail.dgn	DRAWN - CMM	REVISED - 08/07/12-MDS-IDOT REVIEW
	PLOT SCALE = 20.0000' / 1" in.	CHECKED - KLK	REVISED -
	PLOT DATE = 9/26/2012	DATE - 09/04/12	REVISED -

**VILLAGE OF WILLIAMSVILLE**  
**SAFE ROUTES TO SCHOOL**

**DETAILS**

SCALE: N/A SHEET NO. 1 OF 1 SHEETS STA. TO STA.

F.A. RTÉ.	SECTION	COUNTY	TOTAL SHEETS	SHEET NO.
	09-00006-00-SW	SANGAMON	20	15
CONTRACT NO. 3589			ILLINOIS FED. AID PROJECT	