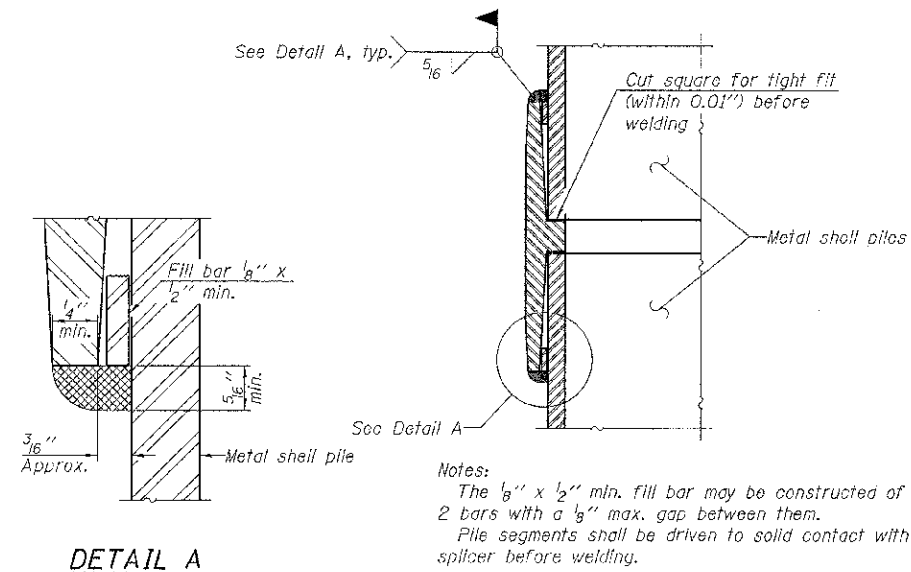
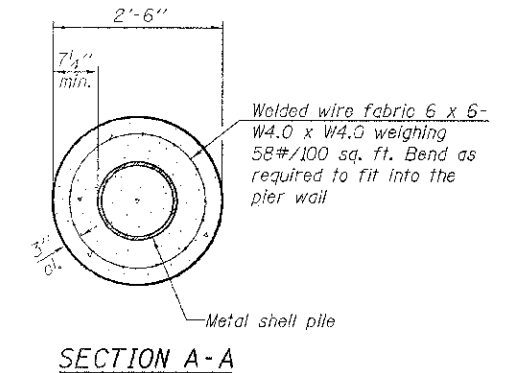
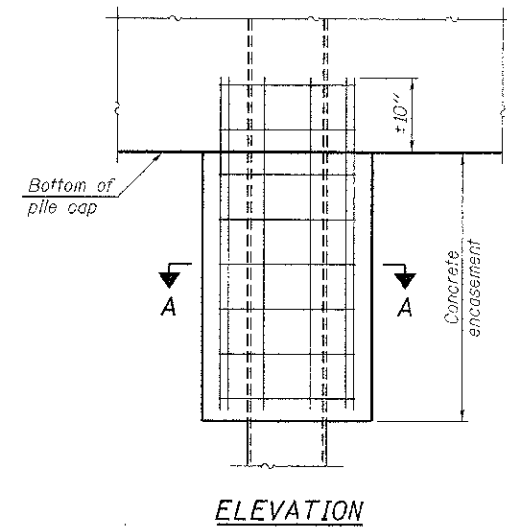


METAL SHELL PILE TABLE

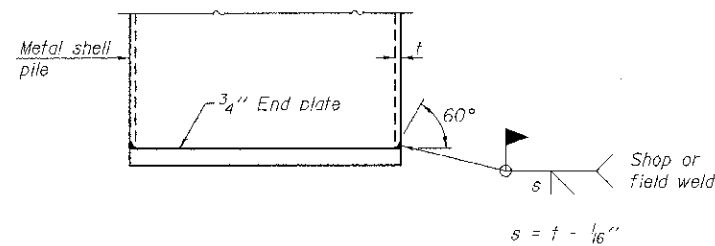
Designation and outside diameter	Wall thickness t	Weight per foot (Lbs./ft.)	Inside volume (yd.3 /ft.)
PP12	0.179"	22.60	0.0274
PP12	0.250"	31.37	0.0267
PP14	0.250"	36.71	0.0368
PP14	0.312"	45.61	0.0361



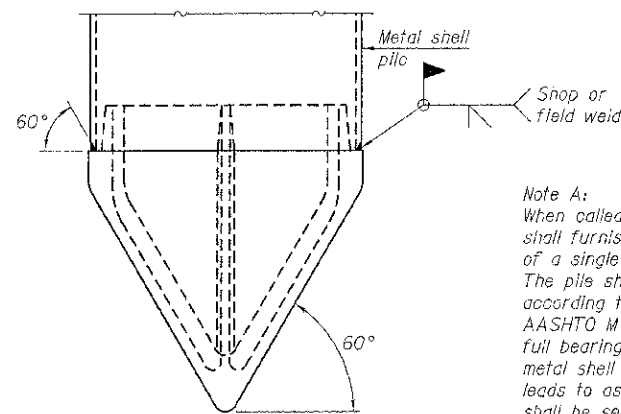
WELDED COMMERCIAL SPLICE



CONCRETE ENCASEMENT AT PIERS



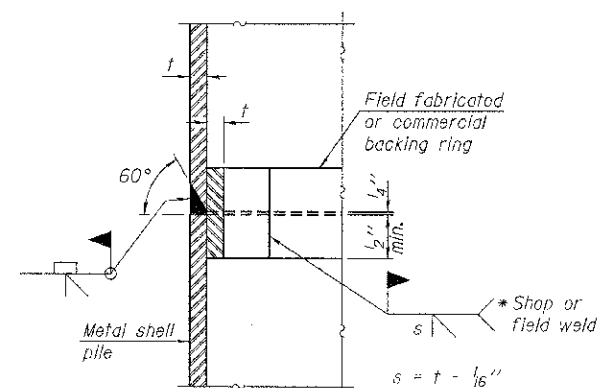
END PLATE ATTACHMENT



METAL SHELL PILE SHOE ATTACHMENT

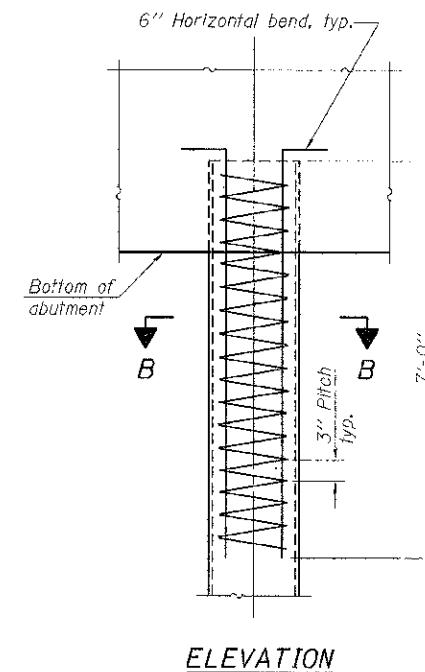
(See Note A)

Note A:
When called for on the plans, the Contractor shall furnish metal shell pile shoes consisting of a single piece conical pile point as shown. The pile shoes shall be cast in one piece steel according to either ASTM A 148 Grade 90-60 or AASHTO M 103 Grade 65-35 and shall provide full bearing over the full circumference of the metal shell pile. The pile shoe shall have tapered leads to assure proper alignment and fitting and shall be secured to the pile with a circumferential weld.

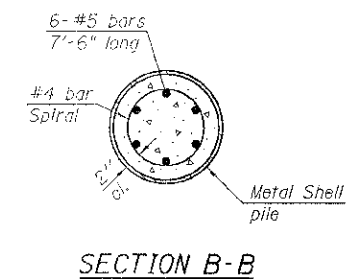


COMPLETE PENETRATION WELD SPLICE

* Field fabricated backing ring may be made from pile shell by removing segment to allow reducing circumference and vertically rejoin with partial joint penetration weld.



METAL SHELL REINFORCEMENT AT ABUTMENTS



Note:
The metal shell piles shall be according to ASTM A 252 Grade 3.

F-MS

1-27-12

FILE NAME = 118245	USER NAME =	DESIGNED - S.W.M.	REVISED -
HAMPTON, LENZINI AND RENWICK, INC.		CHECKED - D.A.B.	REVISED -
3007 STATE VISION DRIVE, SUITE 201 SPRINGFIELD, ILLINOIS 62761	PLOT SCALE =	DRAWN - R.D.H.	REVISED -
ILLINOIS PROFESSIONAL DESIGN FIRM 151 PE/18E 0200 184 903689	PLOT DATE = 12/28/2012	CHECKED - D.A.B.	REVISED -

**STATE OF ILLINOIS
LIVINGSTON COUNTY HIGHWAY DEPARTMENT**

**METAL SHELL PILE DETAILS
STRUCTURE NO. 053-4202**

SHEET NO. 8 OF 10 SHEETS

T.R.	SECTION	COUNTY	TOTAL SHEETS	SHEET NO.
248A		LIVINGSTON	19	17
FORREST / CHATSWORTH R.D.			CONTRACT NO. 87538	
ILLINOIS FED. AID PROJECT				

* 10-11103-03-BR / 10-06124-00-BR