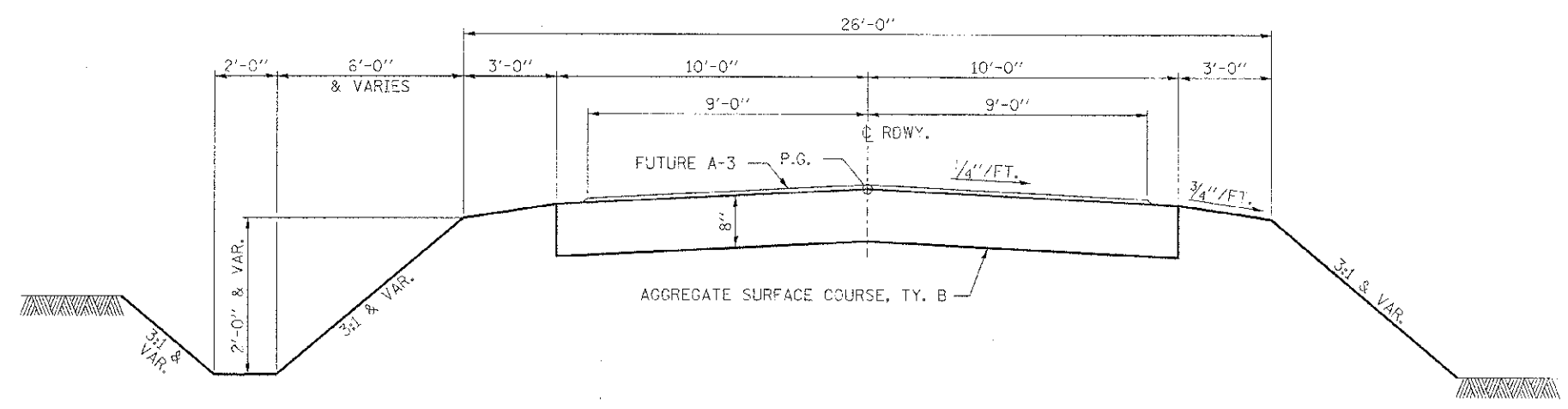


EXISTING CROSS SECTION
STA. 9+00 TO 11+00



PROPOSED TYPICAL CROSS SECTION
STA. 9+00 TO 11+00

TRANSITIONS FROM THE PROPOSED ROADWAY TO THE EXISTING ROADWAY ARE TO BE CONSTRUCTED FROM STA. 9+00 TO 9+25 AND STA. 10+75 TO 11+00. SEE SHEET 10 FOR TRANSITION AT BRIDGE.

SUGGESTED CUT SECTION
CONSTRUCT AS SHOWN IN
STATION CROSS SECTIONS

SUGGESTED FILL SECTION
CONSTRUCT AS SHOWN IN
STATION CROSS SECTIONS

FILE NAME = 112245-snt+typsections.dgn	USER NAME =	DESIGNED - J.W.F.	REVISED -	STATE OF ILLINOIS LIVINGSTON COUNTY HIGHWAY DEPARTMENT	TYPICAL CROSS SECTIONS			T.R.	SECTION	COUNTY	TOTAL SHEETS	SHEET NO.
HAMPTON, LENZINI AND RENWICK, INC. 3845 PFEIFFER DRIVE, SUITE 101 CHICAGO, ILL. 60630		DRAWN - D.A.B.	REVISED -		248A	*	LIVINGSTON	19	3			
ILR ILLINOIS PROFESSIONAL DESIGN FIRM L3 / PE / SE CORP. 184.233928	PLOT SCALE =	CHECKED - S.W.M.	REVISED -		FORREST/CHATSWORTH R.D.			CONTRACT NO. 87538				
	PLOT DATE = 12/26/2012	DATE - 12/26/12	REVISED -		SCALE:	SHEET NO. 1 OF 1 SHEETS	STA.	TO STA.	ILLINOIS FED. AID PROJECT			

* 10-11103-03-BR / 10-06124-00-BR