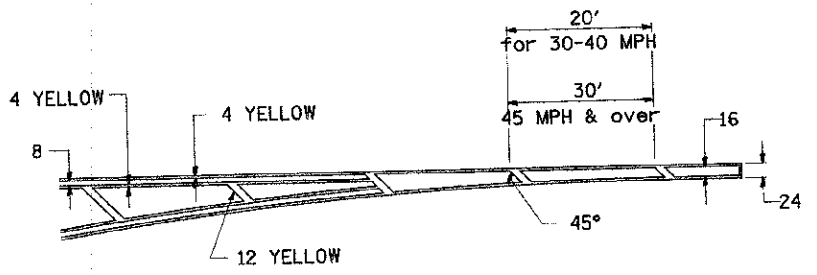
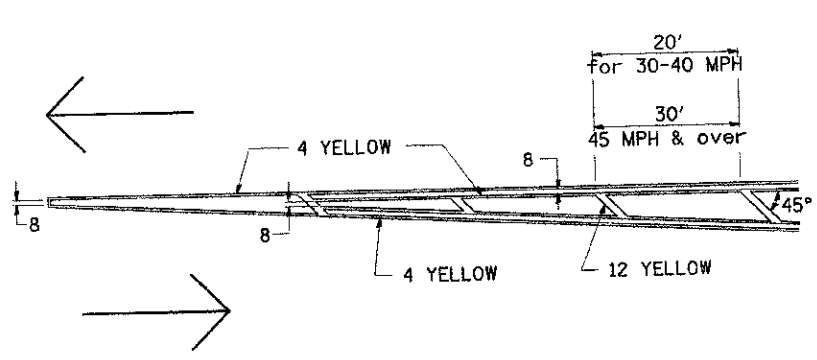
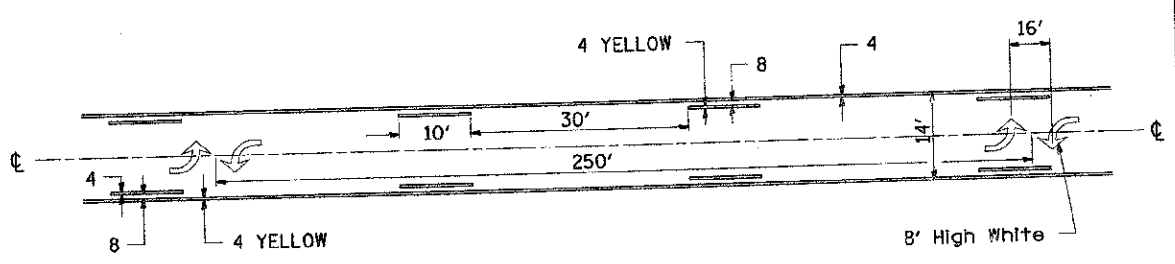


TYPICAL PAVEMENT MARKINGS

TYPICAL PAVEMENT MARKING FOR FLUSH MEDIAN AT LEFT TURN LANE

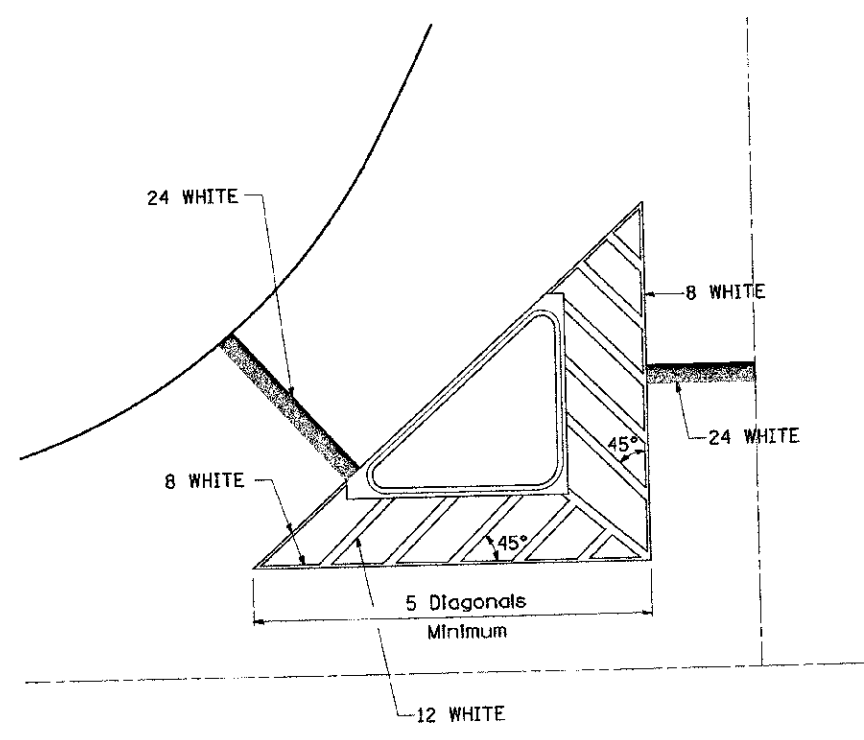


MEDIAN PAVEMENT MARKING

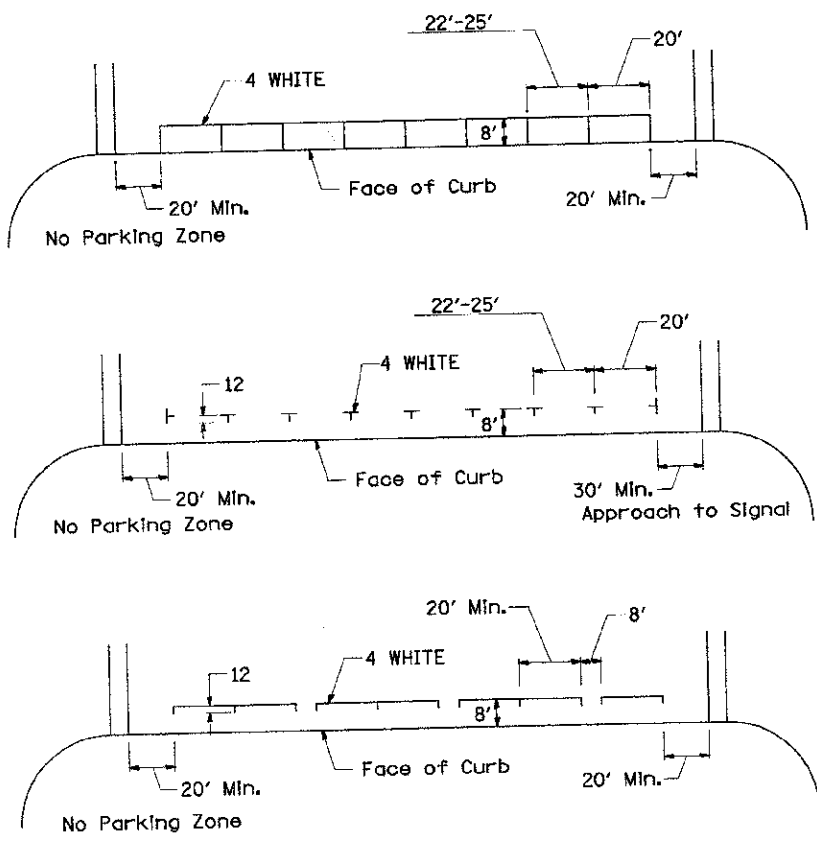


•• ALL DIMENSIONS ARE IN INCHES UNLESS OTHERWISE NOTED.

TYPICAL ISLAND OFFSET SHOULDER WIDTH

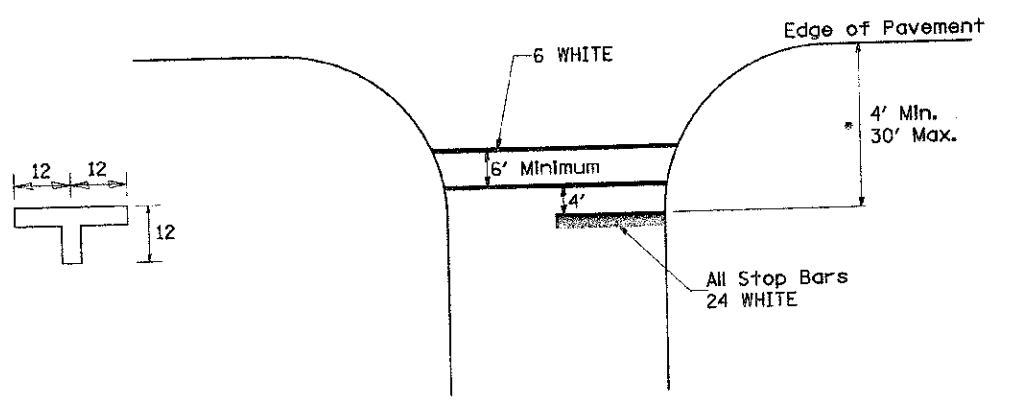


TYPICAL PARKING SPACING



STANDARD CROSSWALK MARKING

See Schedules for Locations



• Distance to the nearest edge of the intersecting roadway in the absence of a marked crosswalk.

FILE NAME =	USER NAME = tammyg	DESIGNED -	REVISED - 10-18-11
W:\Tammie\0\atd41.1.dgn		DRAWN -	REVISED -
	PLOT SCALE = 1/8" = 1'-0"	CHECKED -	REVISED -
	PLOT DATE = 1/16/2013	DATE -	REVISED -

STATE OF ILLINOIS
DEPARTMENT OF TRANSPORTATION

REGION 2 / DISTRICT 2 STANDARD

SCALE: _____ SHEET NO. _____ OF _____ SHEETS STA. _____ TO STA. _____

F.A.U. RTE.	SECTION	COUNTY	TOTAL SHEETS	SHEET NO.
987B	12-00356-01-BR	WINNEBAGO	16	16
FED. ROAD DIST. NO. _____ ILLINOIS FED. AID PROJECT			CONTRACT NO. 85577	