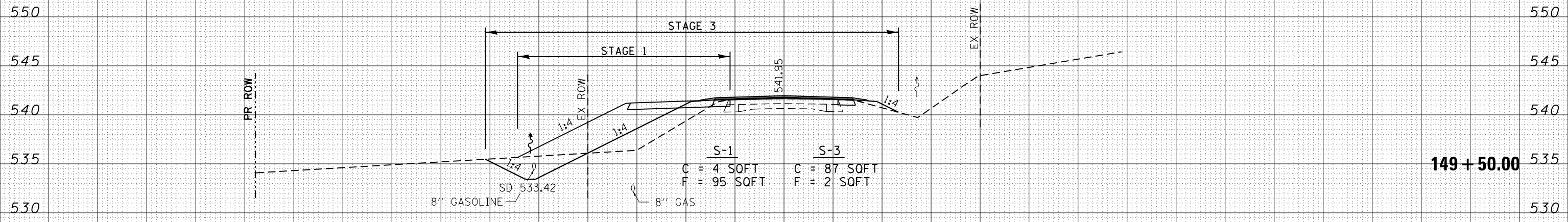
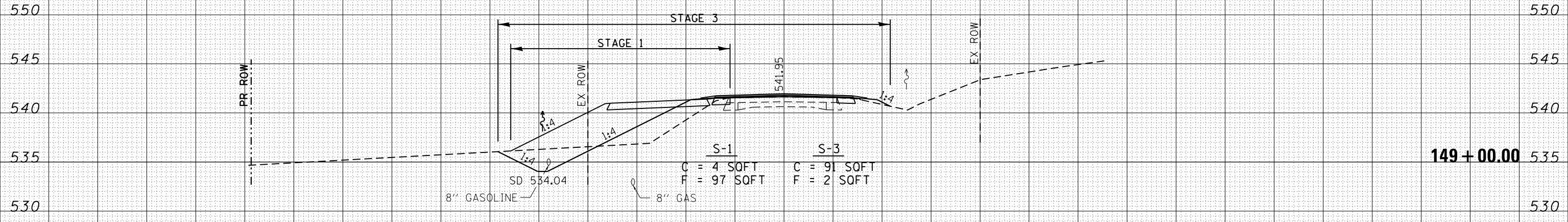


NOTE: LOCATIONS AND DEPTHS OF UTILITIES SHOWN ARE BASED ON INFORMATION PROVIDED BY THE UTILITY COMPANIES. CONTRACTOR SHALL BE RESPONSIBLE FOR THE ACCURATE LOCATION OF ALL UTILITIES.

DATE	
BY	
FINISHED SURVEY	
PLOTTED TEMPLATE	
NOTE BOOK	
AREAS CHECKED	



DATE	
BY	
ORIGINAL SURVEY	
PLOTTED TEMPLATE	
NOTE BOOK	
AREAS CHECKED	



PLOT DRIVER: #PLTDVRS#  
FILE NAME: #FILELGN#



USER NAME = sparksgw	DESIGNED - MCV	REVISED -
FILE NAME = D672B62-sht-xssht-roadway.dgn	DRAWN - CMM	REVISED -
PLOT SCALE = 20.0000' / in.	CHECKED - MTM	REVISED -
PLOT DATE = Dec-18-2012 10:20:15AM	DATE - 12/12	REVISED -

STATE OF ILLINOIS  
DEPARTMENT OF TRANSPORTATION

CROSS SECTIONS - IL 996 OVER DRAINAGE DITCH

SCALE: 10H : 5V SHEET 7 OF 12 SHEETS STA. 149+00.00 TO STA. 149+50.00

F.A.P. RTE.	SECTION	COUNTY	TOTAL SHEETS	SHEET NO.
685	113B-4	HANCOCK	57	52
CONTRACT NO. 72B62				
ILLINOIS FED. AID PROJECT				