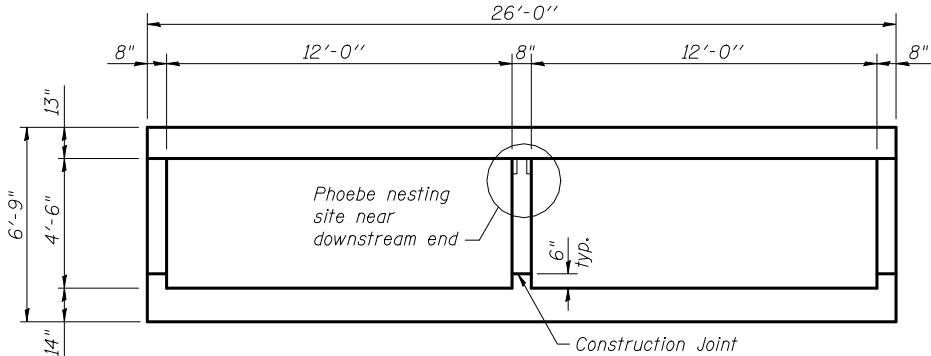


STATE OF ILLINOIS
DEPARTMENT OF TRANSPORTATION

GENERAL NOTE:

Layout of the slope protection system may be varied to suit ground conditions in the field as directed by the Engineer.



SECTION THRU BARREL

DESIGN SCOUR ELEVATION TABLE

Design Scour Elevation (ft.)	D.S. Invert	U.S. Invert
	530.88	531.72

WATERWAY INFORMATION

Drainage Area = 0.45 mi ²		Exist. Low Grade Elev. 541.10 ft. @ Sta. 147+05.05 Prop. Low Grade Elev. 541.10 ft. @ Sta. 147+05.05							
Flood	Freq. Yr.	Q C.F.S.	Opening Sq. Ft.		Nat. H.W.E.	Head - Ft.		Headwater El.	
			Exist.	Prop.		Exist.	Prop.	Exist.	Prop.
	10	390	60	70	537.77	1.4	1.4	539.19	539.21
Design	50	650	70	90	538.54	4.4	1.9	542.93	540.41
Base	100	770	80	90	538.79	4.5	1.7	543.28	540.50
Max. Calc.	500	1,080	80	108	540.42	3.7	1.5	544.13	541.87

INDEX OF SHEETS

- Sheet 1 - General Plan
- Sheet 2 - General Notes, Section, and Total Bill of Materials
- Sheet 3 - Construction Staging Details
- Sheet 4 - Culvert Details
- Sheet 5 - Culvert Details and Bill of Materials
- Sheet 6 - Bar Splicer Assembly and Mechanical Splicer Details
- Sheet 7 - Temporary Concrete Barrier for Stage Construction
- Sheet 8 - Temporary Soil Retention System Details
- Sheet 9 - Soil Borings

TOTAL BILL OF MATERIALS

Item	Unit	Total
Granular Culvert Backfill	Cu. Yd.	207
Stone RipRap, Class A5	Sq. Yd.	486
Filter Fabric	Sq. Yd.	486
Removal of Existing Structures	Each	1
Reinforcement Bars	Pound	52,440
Bar Splicers	Each	119
Concrete Box Culverts	Cu. Yd.	249
Temporary Soil Retention System	Sq. Ft.	253
Name Plates	Each	1

NAME PLATE

STATION 146+92.00
BUILT 20__ BY
STATE OF ILLINOIS
F.A.P. ROUTE 685
SECTION 113 (B-4)
LOADING HL93
STR. NO. 034-2527

See Std. 515001



USER NAME = \$USER*	DESIGNED BLM	REVISED -
	DRAWN TJR	REVISED -
PLOT SCALE = \$SCALE*	CHECKED JEK	REVISED -
PLOT DATE = \$DATE*	DATE 02-04-2013	REVISED -

**STATE OF ILLINOIS
DEPARTMENT OF TRANSPORTATION**

**GENERAL NOTES, SECTION, AND BILL OF MATERIALS
STRUCTURE NO. 034-2527**

SCALE: NTS SHEET 2 OF 9 SHEETS STA. 146+92.00

F.A.P. RTE.	SECTION	COUNTY	TOTAL SHEETS	SHEET NO.
685	113 (B-4)	HANCOCK	62	38
CONTRACT NO. 72B62				
ILLINOIS FED. AID PROJECT				