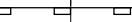

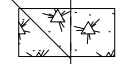


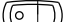


LEGEND

-  PERIMETER EROSION BARRIER
-  TEMPORARY FENCE
-  SEEDING, CLASS 2 & MULCH, METHOD 2
-  AGGREGATE DITCH CHECK
-  INLET AND PIPE PROTECTION
-  SEDIMENT BASIN

FILE NAME = c:\new-work\p\midot\sparksgw\4832\885\0572B62-sht-eros.dgn
 MODEL = \$MODEL\$
 PLOT DRIVER = \$PLTDVRS\$



USER NAME = sparksgw	DESIGNED - MCV	REVISED -
FILE NAME = D672B62-sht-eros.dgn	DRAWN - CMM	REVISED -
PLOT SCALE = 48.0000' / in.	CHECKED - MTM	REVISED -
PLOT DATE = Dec-18-2012 10:20:04AM	DATE - 12/12	REVISED -

STATE OF ILLINOIS
DEPARTMENT OF TRANSPORTATION

EROSION CONTROL PLAN - IL 996 OVER DRAINAGE DITCH

SCALE: 1"=20' SHEET NO. 3 OF 3 SHEETS STA. 150+00.00 TO STA. 156+00.00

F.A.P. RTE.	SECTION	COUNTY	TOTAL SHEETS	SHEET NO.
685	113B-4	HANCOCK	57	36
CONTRACT NO. 72B62				
ILLINOIS FED. AID PROJECT				