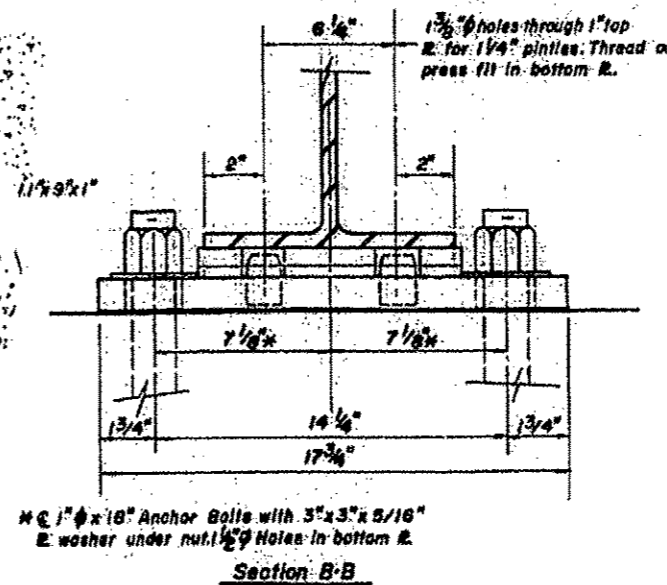
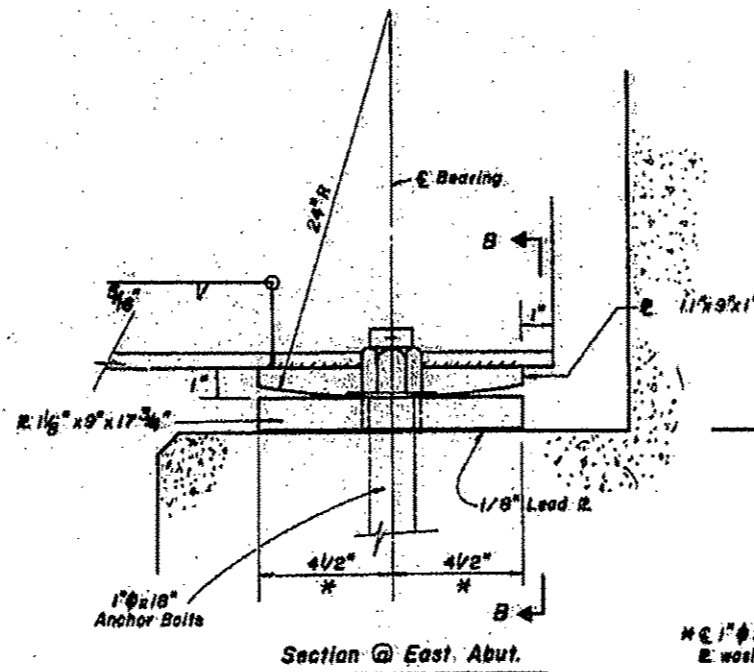
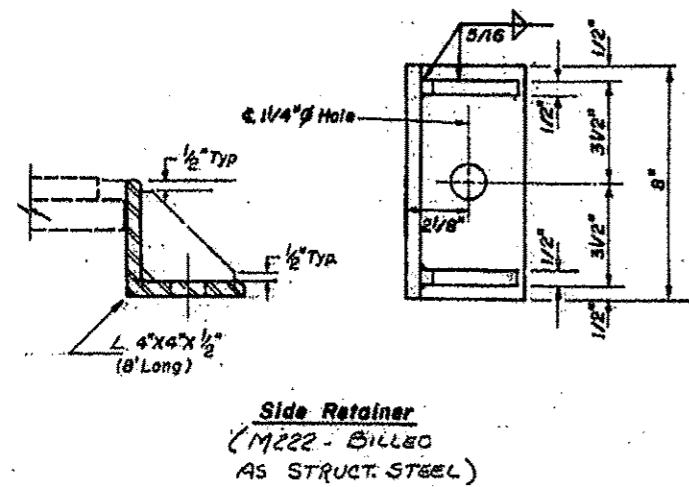
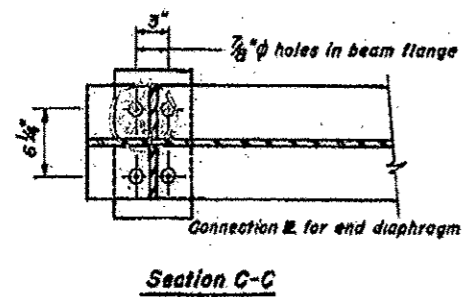
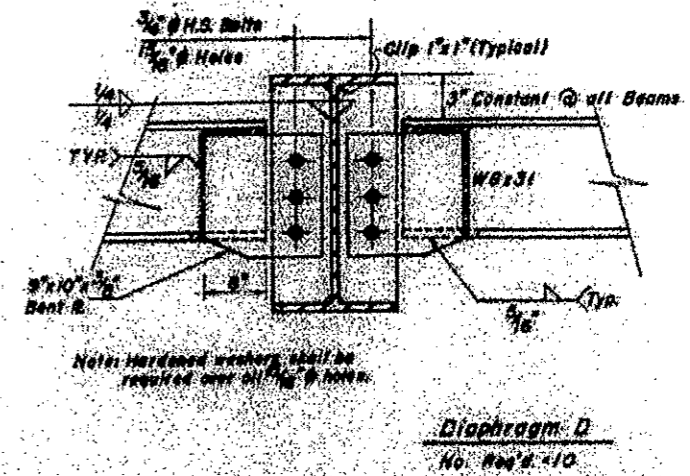
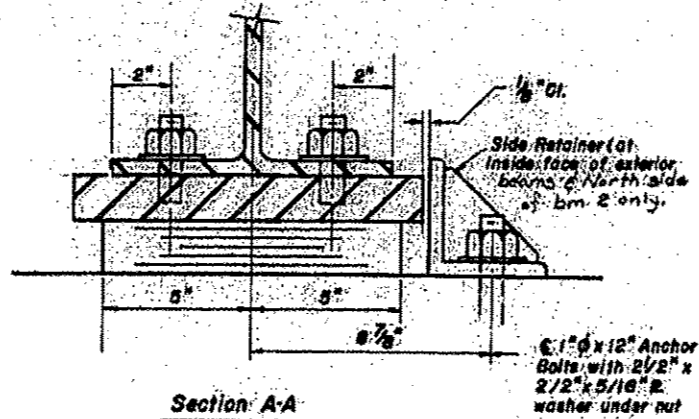
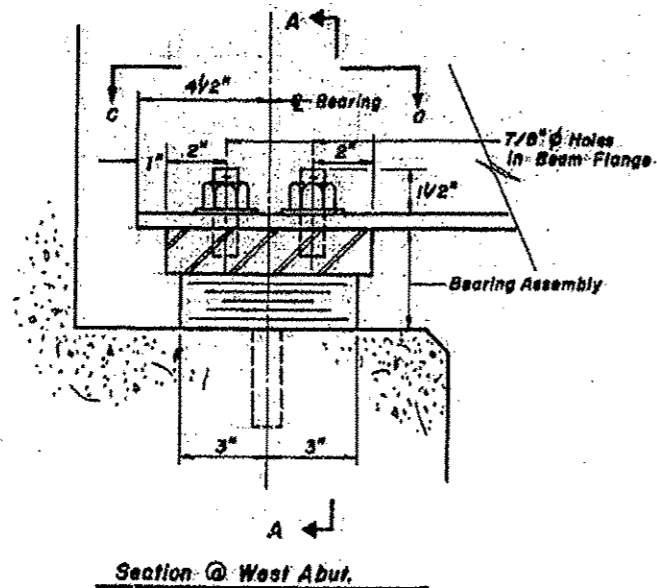


LOCATION 6 S.N. 036-0007 INFORMATION ONLY



FILE NAME *
 March 2013 Metalize.dgn
 MODELNAME#

USER NAME * DEFAULT
 PLOT SCALE * 0.8221 / in.
 PLOT DATE * 12/11/2012

DESIGNED -	REVISD -
DRAWN -	REVISD -
CHECKED -	REVISD -
DATE -	REVISD -

**STATE OF ILLINOIS
 DEPARTMENT OF TRANSPORTATION**

**LOCATION 6 BEARING & DIAHRAGMS
 INFORMATION ONLY**

SCALE: _____ SHEET _____ OF _____ SHEETS STA. _____ TO STA. _____

P.A. SITE	SECTION	COUNTY	TOTAL SHEET NO.
var D4 Bridge Metalizing 2013	Various	20	17
			CONTRACT NO. 68B25
ILLINOIS FED. AID PROJECT			