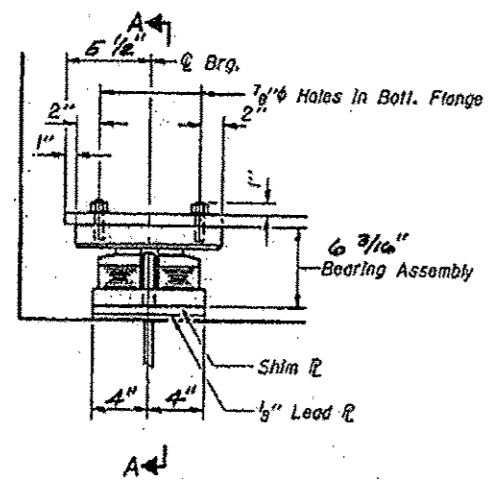
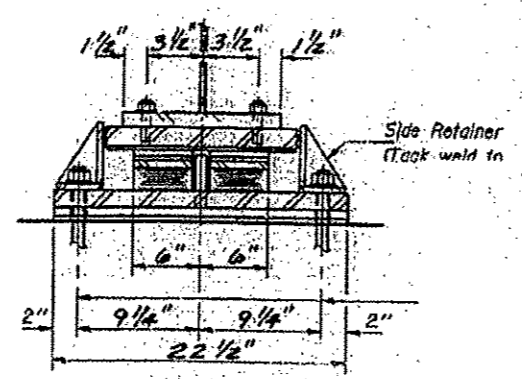


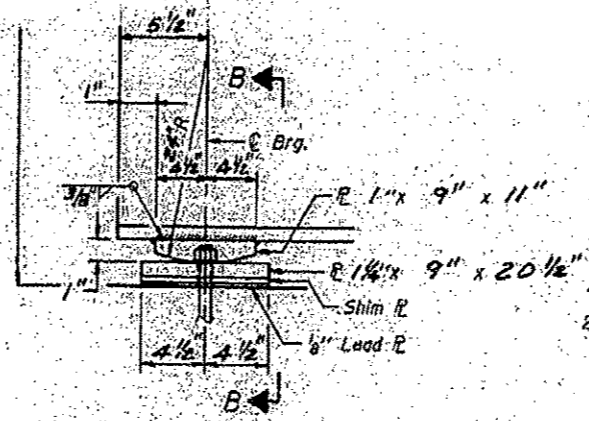
LOCATION 4 S.N. 036-0009 INFORMATION ONLY



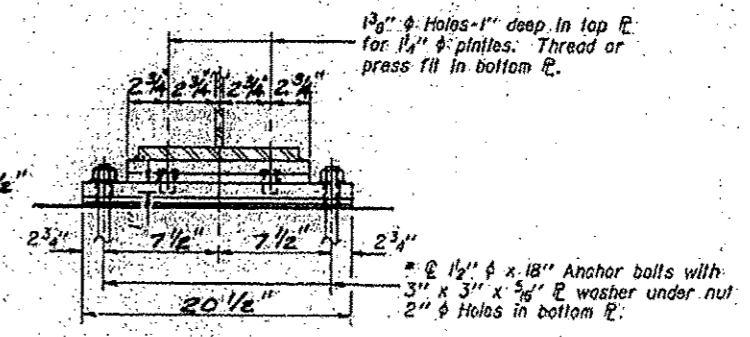
ELEVATION AT EAST ABUT.



SECTION A-A



ELEVATION AT WEST ABUT.

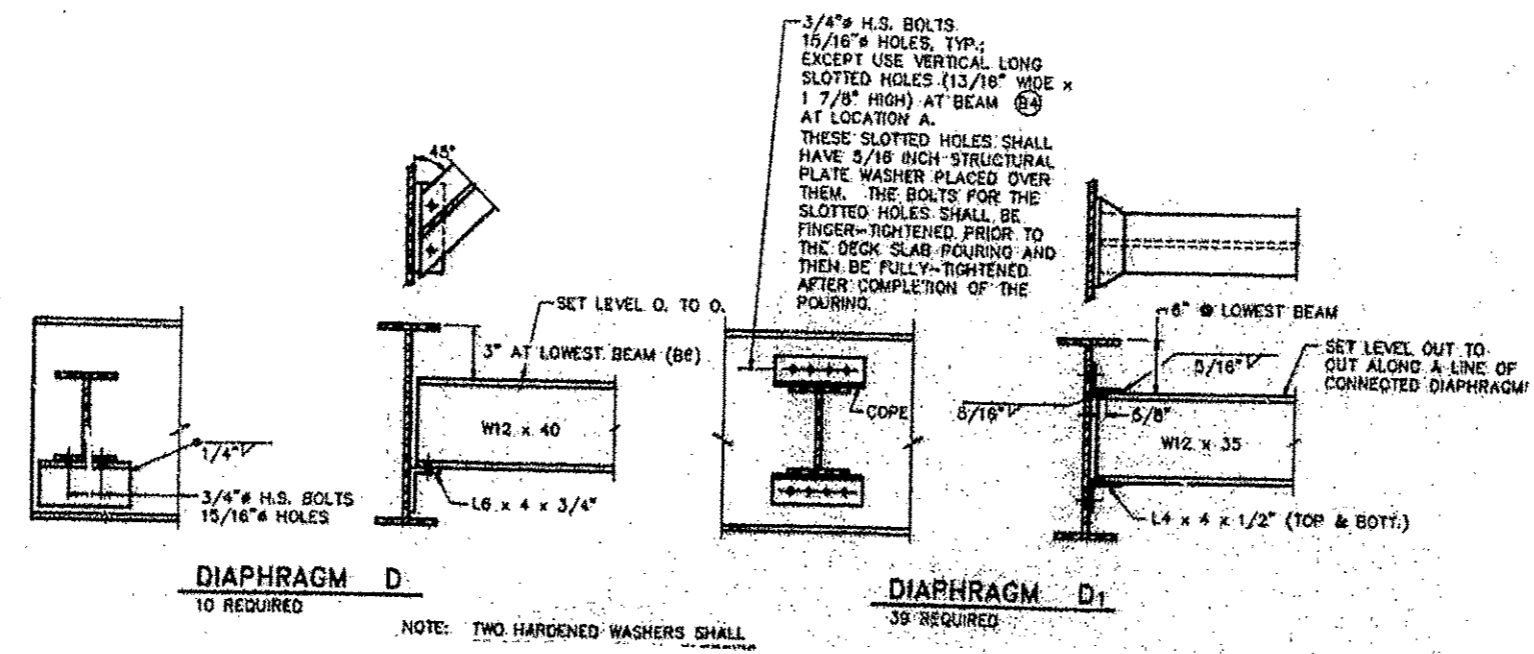


SECTION B-B

**FIXED BEARING AT WEST ABUTMENT
(6 Required)**

1 3/8" ϕ Holes-1" deep in top P.
for 1 1/4" ϕ pintles. Thread or
press fit in bottom P.

2 1/2" ϕ x 18" Anchor bolts with
3" x 3" x 5/8" P washer under nut.
2" ϕ Holes in bottom P.



FILE NAME March 2012 Metalize.dgn	USER NAME DEFAULT	DESIGNED ---	REVISED ---	STATE OF ILLINOIS DEPARTMENT OF TRANSPORTATION	LOCATION 4 BEARING & DIAHRAGMS INFORMATION ONLY	P.A. RTE.	SECTION var 04 Bridge Modernizing 2013	COUNTY Various	TOTAL SHEETS 20	SHEET NO. 12
MODELNAME4	PLOT SCALE 0.0228" / in.	CHECKED ---	REVISED ---	SCALE: _____ SHEET _____ OF _____ SHEETS STA. _____ TO STA. _____		CONTRACT NO. 60B25 ILLINOIS FED. AID PROJECT				