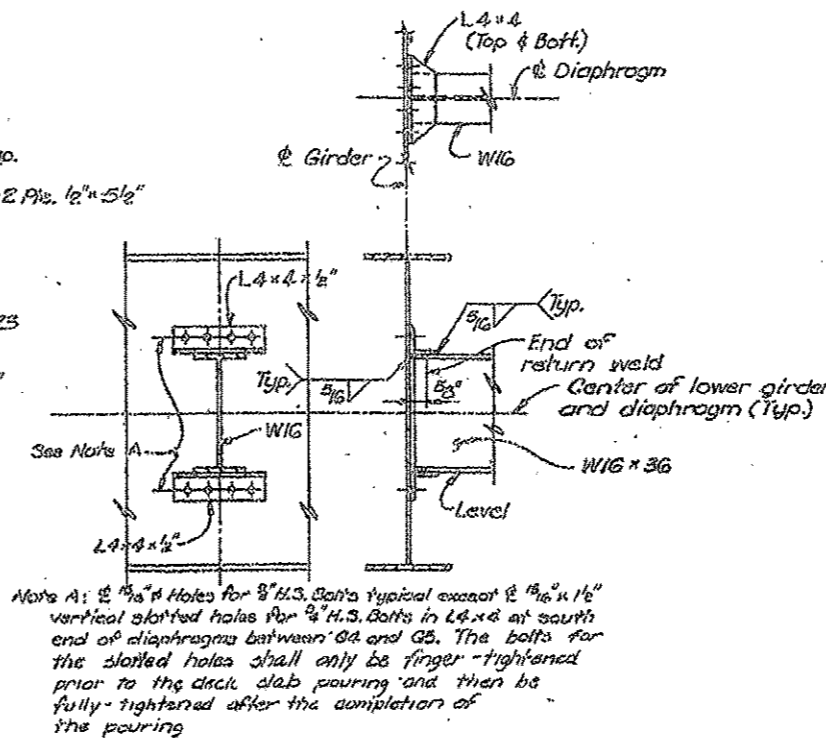
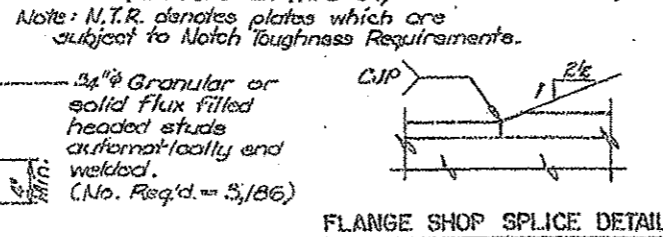
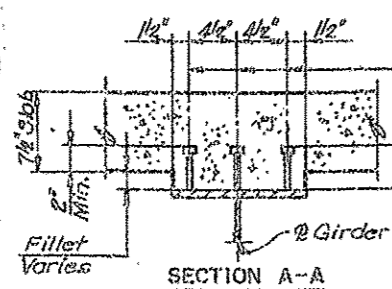
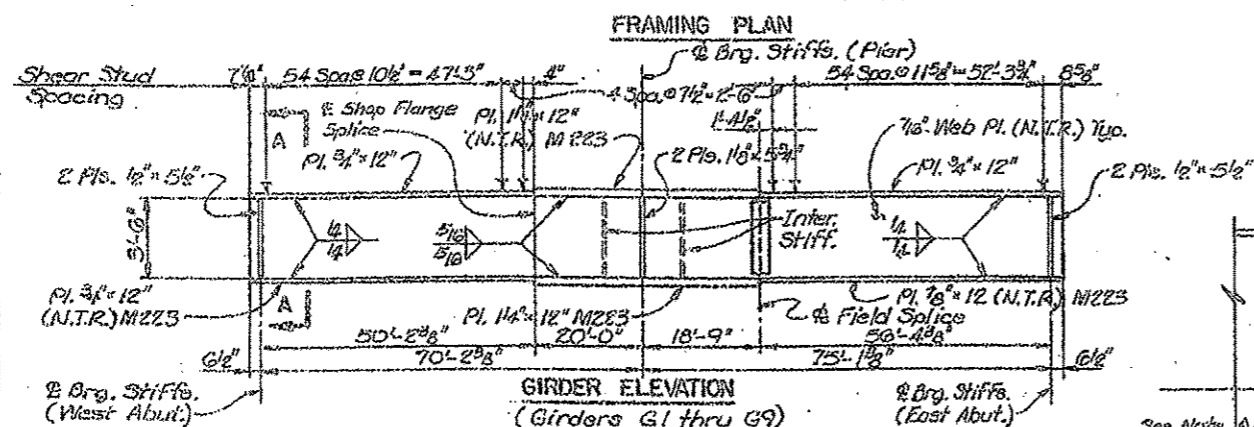
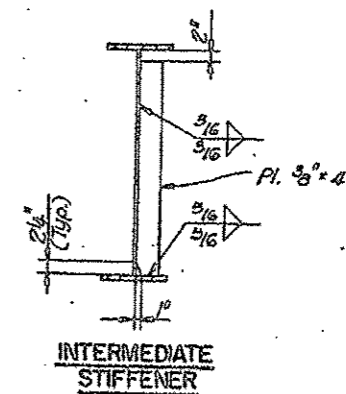
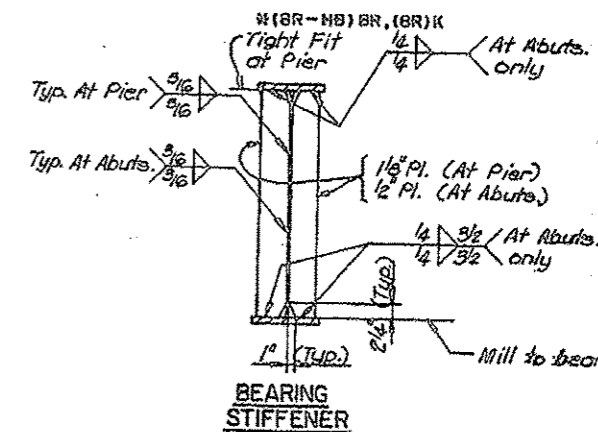
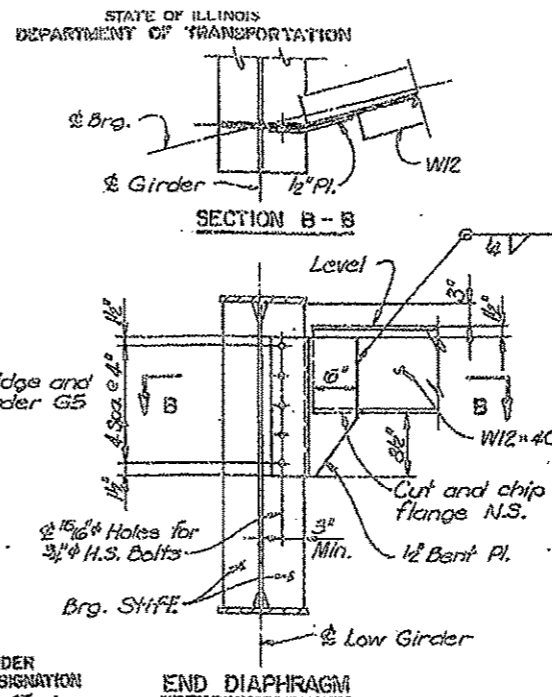
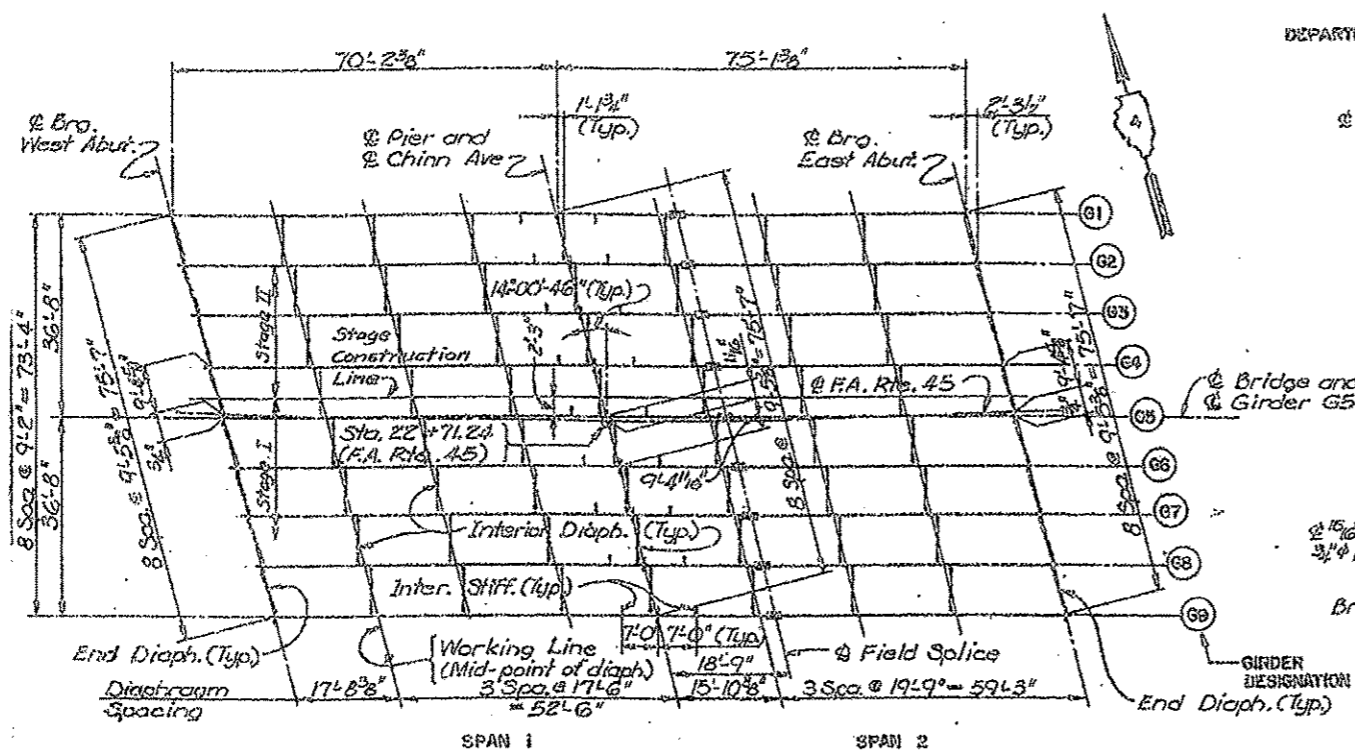


# LOCATION 3 S.N. 036-0035 INFORMATION ONLY



FILE NAME * March 2013 Metalize.dgn	USER NAME * DEFAULT	DESIGNED - DRAWN - CHECKED - DATE -	REVISED - REVISED - REVISED - REVISED -	STATE OF ILLINOIS DEPARTMENT OF TRANSPORTATION	LOCATION 3 FRAMING PLAN - INFORMATION ONLY	F.A. RTE. var	SECTION D4 Bridge Metalizing 2013	COUNTY Various	TOTAL SHEETS 20	SHEET NO. 8	CONTRACT NO. 68B25	ILLINOIS FED. AID PROJECT
MODELNAME*	PLOT SCALE = 0.8212 / 1 in.	PLOT DATE = 12/11/2012		SCALE: _____	SHEET _____ OF _____ SHEETS	STA. _____	TO STA. _____					