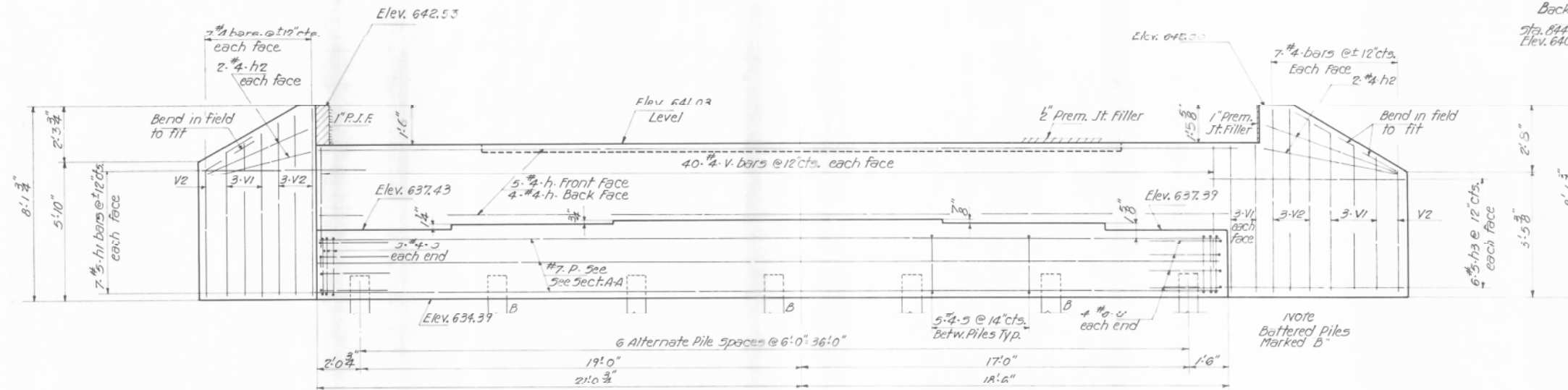
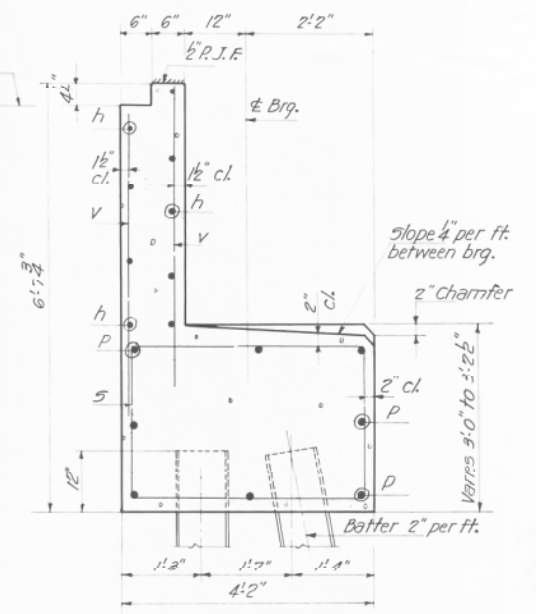


STATE OF ILLINOIS
DEPARTMENT OF PUBLIC WORKS & BUILDINGS
DIVISION OF HIGHWAYS

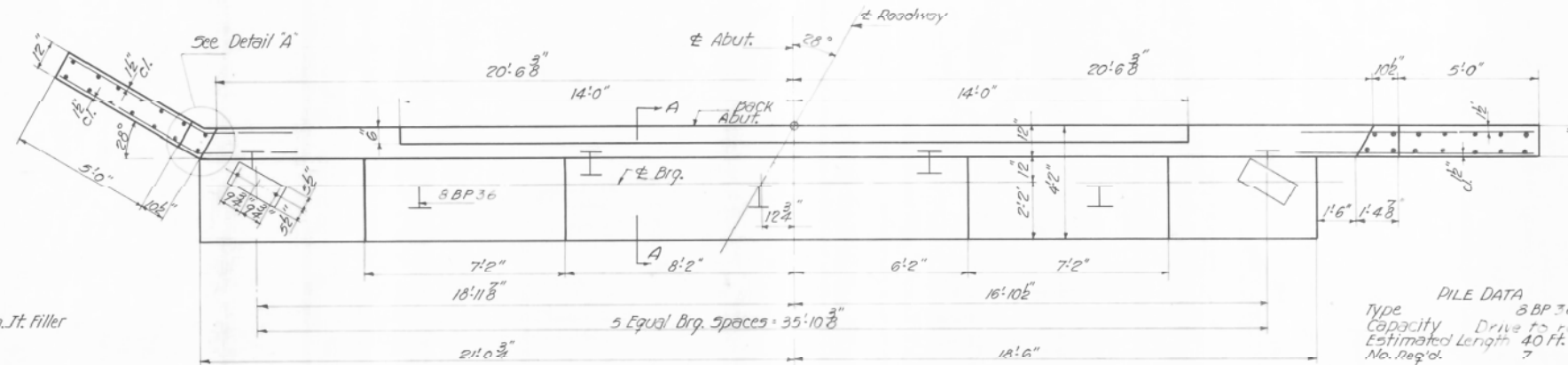
PROJECT NO.	46,381	MARKING	15A	SHEET NO.	8
DATE	10-19	PROJECT	15A	TOTAL SHEETS	10
FED. ROAD DIST. NO. 7		ILLINOIS		FED. AID PROJECT	



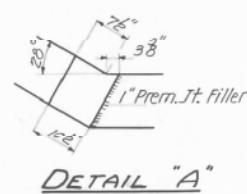
ELEVATION



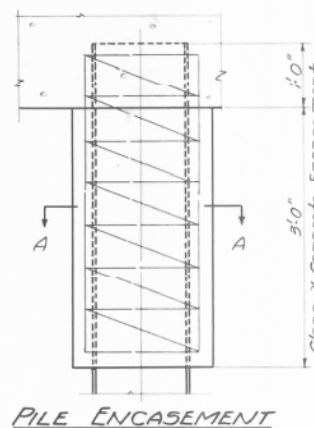
SECTION A-A



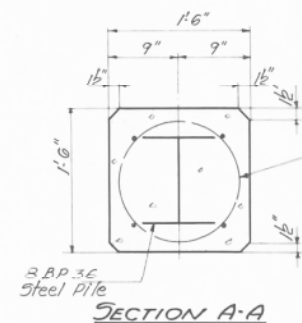
PLAN



DETAIL A



PILE ENCASEMENT



SECTION A-A

Note: Driving and bearing ends of Piles shall be cut square

PILE DATA
Type 3BP 36
Capacity Drive to refusal
Estimated Length 40 Ft.
No. Piles 7

BILL OF MATERIAL

BAR	NO.	SIZE	LENGTH	SHAPE
h	13	#4	21'0"	—
h1	14	#5	9'6"	—
h2	8	#4	6'0"	—
h3	12	#5	8'0"	—
v	20	#2	2'11"	—
v1	16	#4	6'6"	—
v2	16	#4	8'0"	—
p	16	#7	20'3"	—
s	36	#4	13'9"	□
u	8	#6	11'9"	□
Class-X Concrete		Cu. Yds. 27.5		
Reinforcement Bars		Lbs. 2080		
Steel Piles 3BP 36		Lin Ft. 280		

See No. Abut. Sheet 7 for bar details

DESIGNED	Walter Perry	EXAMINED	H. B. Bumann
CHECKED	Morris E. Hamada	PASSED	[Signature]
DRAWN	[Signature]	APPROVED	R. H. [Signature]
CHECKED	Morris E. Hamada		

See 102-25 Change 4 Height of wing walls from Elev. 637.39 to 642.53. Also Elev. 637.39 to 640.68.
Ground work using 1941 Elevation 0'. Revised 10/19/42 to 3BP 36 pile capacity from 31,000 to 20,000 lbs. per sq. ft.

SOUTH ABUTMENT
F.A.I. 57- SEC. 38-1B
IROQUOIS COUNTY
STATION 843+70(2)

FOR INFORMATION ONLY

Wight

DESIGNED	REVISOR
CHECKED	REVISOR
DRAWN	REVISOR
CHECKED	REVISOR

STATE OF ILLINOIS
DEPARTMENT OF TRANSPORTATION

EXISTING STRUCTURE PLANS
STRUCTURE NO. 038-0216 (N.B.)

SHEET NO. 8 OF 19 SHEETS

F.A.I. RTE.	SECTION	COUNTY	TOTAL SHEETS	SHEET NO.
57	141 BR(S) & 38-1 BR(NB)	IROQUOIS	138	84
CONTRACT NO. 66944				

ILLINOIS FED. AID PROJECT