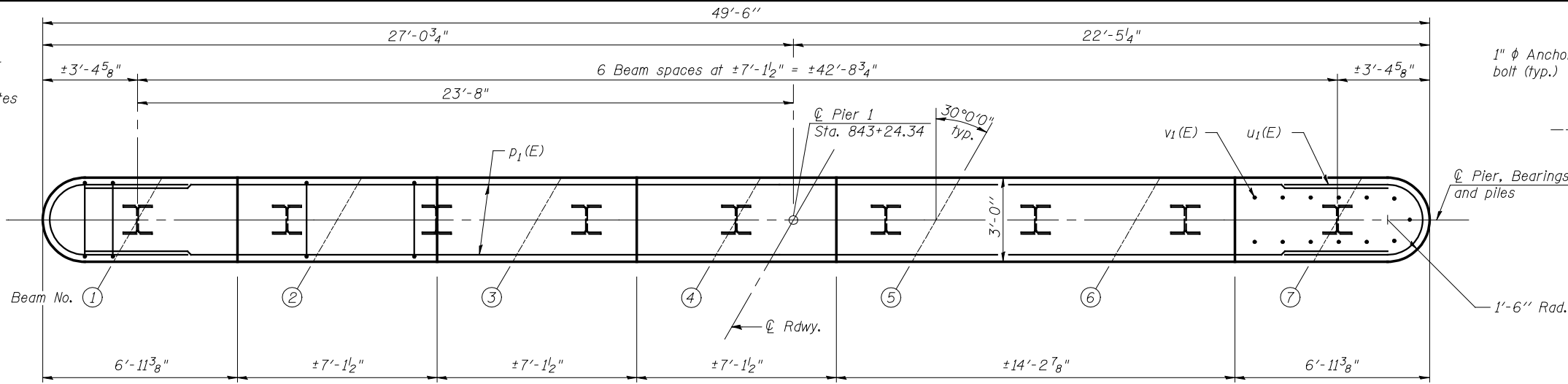
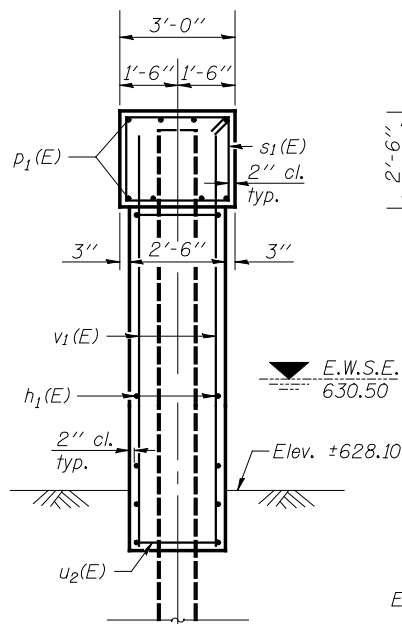


Notes:  
 Pour steps monolithically with cap.  
 Space reinforcement in cap to miss anchor bolts.  
 Bars indicated thus 12 x 2-#5 etc. indicates 12 lines of bars with 2 lengths per line.



**TOP PLAN**



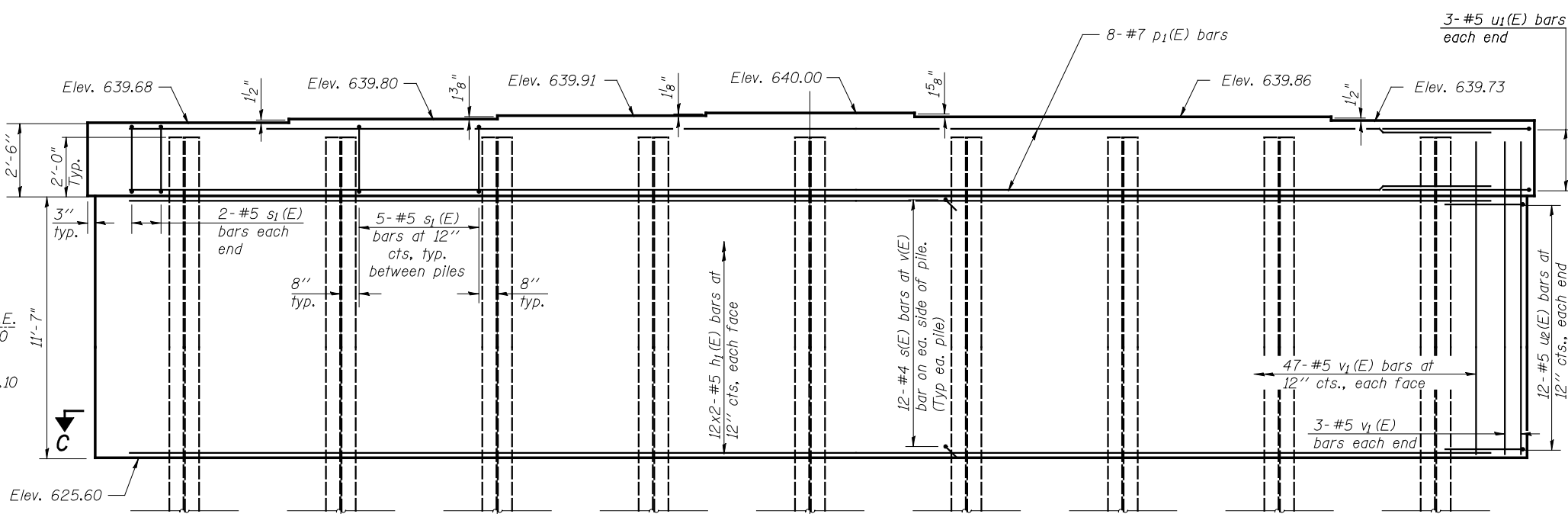
**END VIEW**

**MINIMUM BAR LAP**

#5 bar = 3'-3"

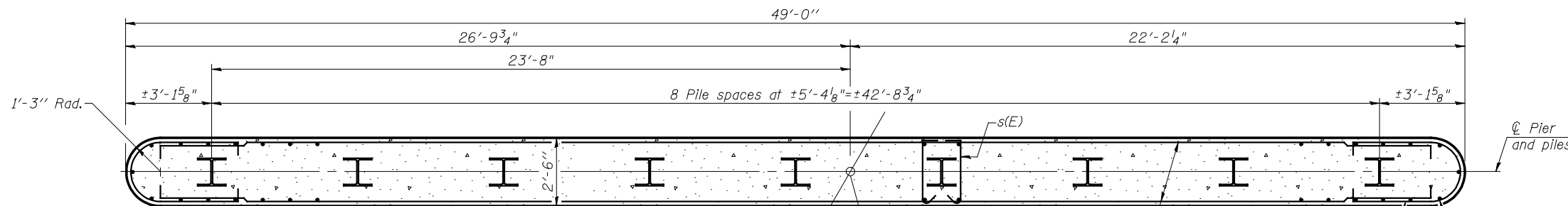
**PILE DATA**

Type: HP 12x74  
 Nominal Required Bearing: 484 k  
 Factored Resistance Available: 266 k  
 Est. Length: 59 ft  
 No. Production Piles: 8  
 No. Test Piles: 1



**ELEVATION**

(Looking South)



**SECTION C-C**

**BAR h1(E)**

**ANCHOR BOLT LOCATION DETAIL**

**BAR s(E)**

**BAR s1(E)**

**BARS u1(E) & u2(E)**

**BILL OF MATERIAL**

Bar	No.	Size	Length	Shape
h1(E)	48	#5	25'-9"	┌───┐
p1(E)	8	#7	46'-6"	───
s(E)	216	#4	3'-3"	┌───┐
s1(E)	44	#5	10'-7"	┌───┐
u1(E)	6	#5	10'-9"	┌───┐
u2(E)	24	#5	10'-3"	┌───┐
v1(E)	100	#5	12'-9"	───
Cofferdam Excavation		Cu. Yd.	144.1	
Cofferdam (Type 2) (Location-1)		Each	1	
Seal Coat Concrete		Cu. Yd.	88.7	
Concrete Structures		Cu. Yd.	66.4	
Reinforcement Bars, Epoxy Coated		Pound	4,660	
Furnishing Steel Piles HP12x74		Foot	472	
Driving Piles		Foot	472	
Test Pile Steel HP12x74		Each	1	



USER NAME =	DESIGNED RJP	REVISED -
PLLOT SCALE =	CHECKED MJT	REVISED -
PLLOT DATE =	DRAWN KC	REVISED -
	CHECKED MJT	REVISED -

**STATE OF ILLINOIS**  
**DEPARTMENT OF TRANSPORTATION**

**PIER 1**  
**STRUCTURE NO. 038-0216 (N.B.)**

SHEET NO. 27 OF 38 SHEETS

F.A.I. RTE. 57	SECTION 38-1 BR	COUNTY IROQUOIS	TOTAL SHEETS 138	SHEET NO. 65
			CONTRACT NO. 66944	
ILLINOIS FED. AID PROJECT				