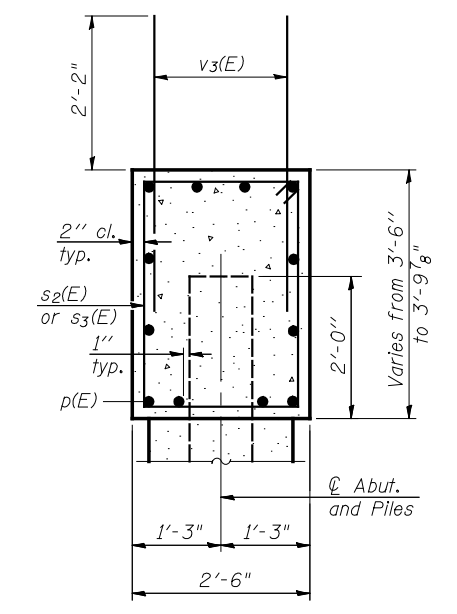
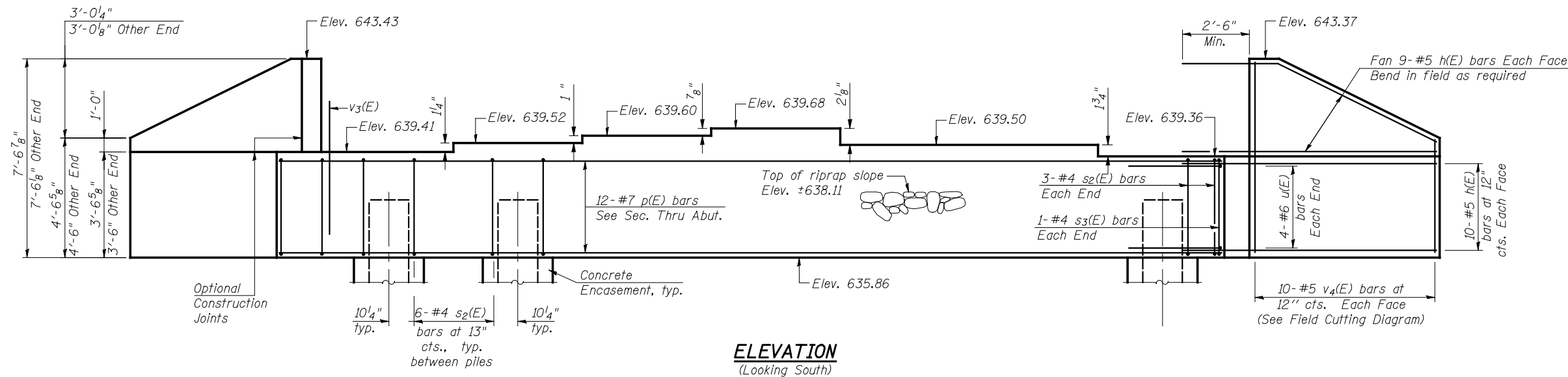
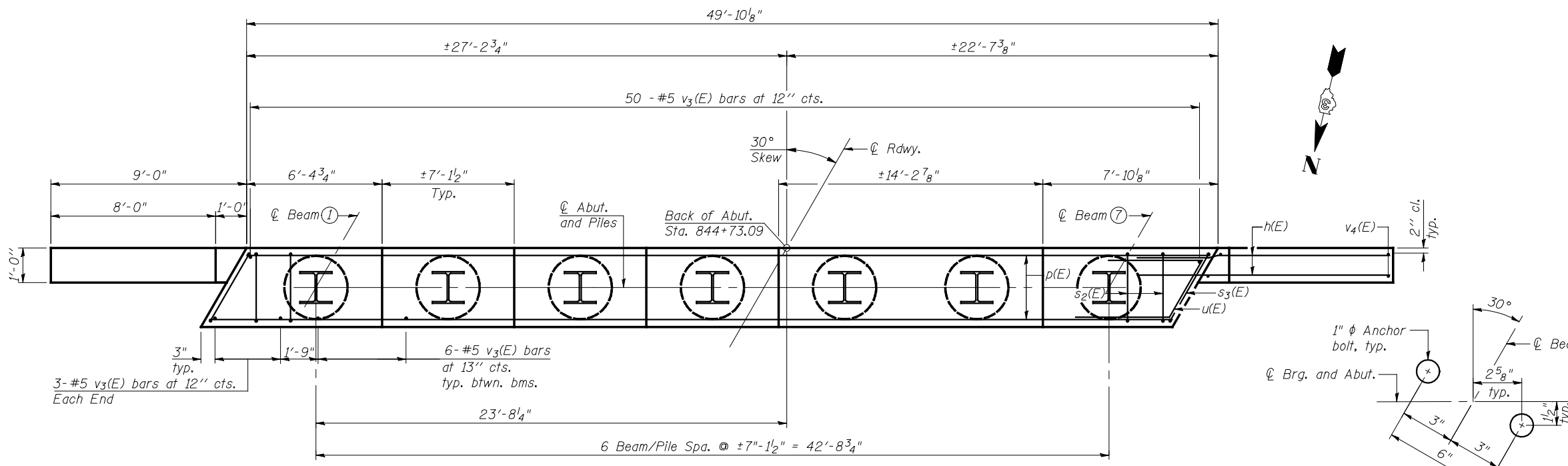


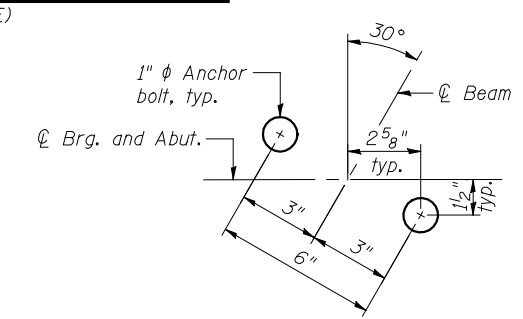
Notes:  
 Four steps monolithically with cap.  
 Space reinforcement in cap to miss anchor bolts.



**SEC. THRU ABUT.**



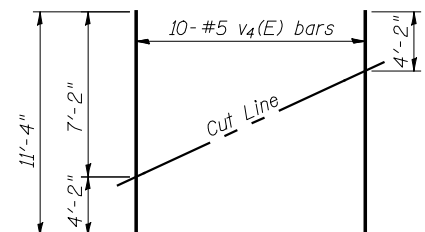
**PLAN**



**ANCHOR BOLT LOCATION DETAIL**

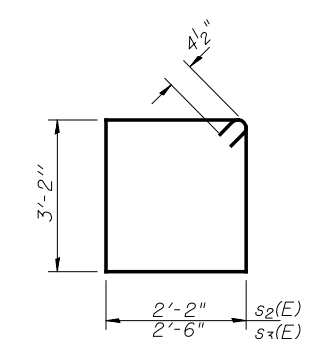
**PILE DATA**

Type: HP 12x74  
 Nominal Required Bearing: 335 k  
 Factored Resistance Available: 184 k  
 Est. Length: 58 ft  
 No. Production Piles: 6  
 No. Test Piles: 1

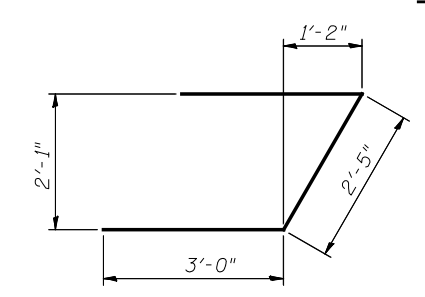


**FIELD CUTTING DIAGRAM**

Order v4(E) full length. Cut as shown and use remainder of bars in opposite face.



**BARS s2(E) & s3(E)**



**BAR u(E)**

**BILL OF MATERIAL**

Bar	No.	Size	Length	Shape
h(E)	76	#5	12'-6"	—
p(E)	12	#7	49'-6"	—
s2(E)	42	#4	11'-5"	□
s3(E)	2	#4	12'-1"	□
u(E)	8	#6	8'-5"	∟
v3(E)	92	#5	4'-4"	—
v4(E)	40	#5	11'-4"	—
Structure Excavation			Cu. Yd.	156.0
Granular Backfill for Structures			Cu. Yd.	70.0
Concrete Structures			Cu. Yd.	21.1
Reinforcement Bars, Epoxy Coated			Pound	3,530
Furnishing Steel Piles HP12x74			Foot	348
Driving Piles			Foot	348
Test Pile Steel HP12x74			Each	1
Concrete Encasement			Cu. Yd.	2.4

For details of piles and Concrete Encasement, see sheet 31 of 38.

1/28/2013 4:46:11 PM 038021E\_66944\_024\_ABUT\_02.dgn



DESIGNED	MAS	REVISED
CHECKED	MWS	REVISED
DRAWN	MWS	REVISED
CHECKED	BJM	REVISED

**STATE OF ILLINOIS**  
**DEPARTMENT OF TRANSPORTATION**

**SOUTH ABUTMENT**  
**STRUCTURE NO. 038-0216 (N.B.)**

SHEET NO. 24 OF 38 SHEETS

F.A.I. RTE.	SECTION	COUNTY	TOTAL SHEETS	SHEET NO.
57	141 BR(SB) & 38-1 BR(NB)	IROQUOIS	138	62
CONTRACT NO. 66944				
ILLINOIS FED. AID PROJECT				