

03-08-13 LETTING ITEM 070

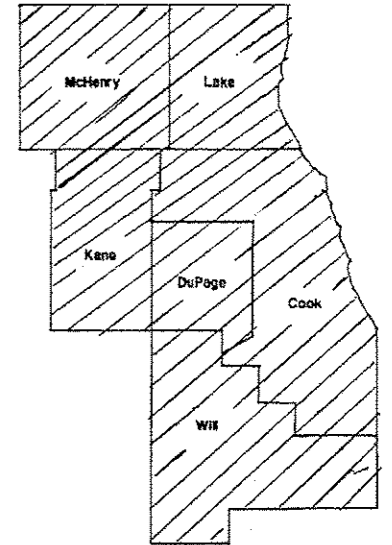
ROUTE	SECTION	COUNTY	TOTAL SHEETS	SHEET NUMBER
VARIOUS	2012-0891	VARIOUS	6	1

CONTRACT 60W10
D-91-172-13

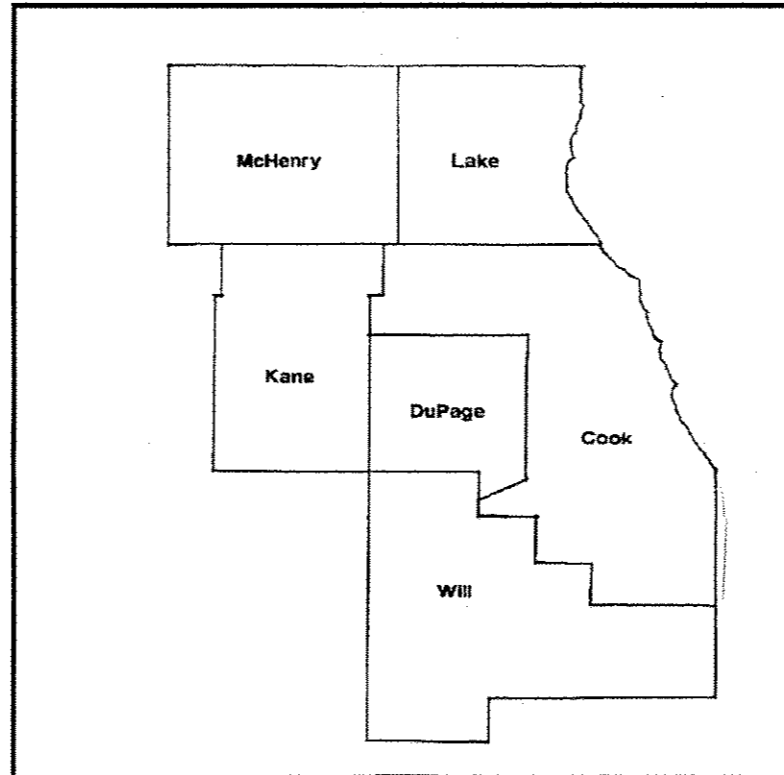
STATE OF ILLINOIS
DEPARTMENT OF TRANSPORTATION
DIVISION OF HIGHWAYS
DISTRICT ONE

PROPOSED HIGHWAY PLANS

ROUTE: VARIOUS
SECTION 2012-0891
WEED CONTROL
VARIOUS COUNTIES
C-91-172-13



LOCATION OF IMPROVEMENT INDICATED THUS:



IMPROVEMENT IS IN VARIOUS
LOCATIONS WITHIN DISTRICT
ONE

STATE OF ILLINOIS
DEPARTMENT OF TRANSPORTATION
DIVISION OF HIGHWAYS

SUBMITTED: January 7 2013

John Fortmann
DEPUTY DIRECTOR OF HIGHWAYS, REGION ENGINEER

February 1 2013
John D. Balanzelli PE
acting ENGINEER OF DESIGN AND ENVIRONMENT

February 1 2013
Omer Osman PE
DIRECTOR OF HIGHWAYS, CHIEF ENGINEER

**PRINTED BY THE AUTHORITY
OF THE STATE OF ILLINOIS**

J.U.L.I.E.: JOINT UTILITY LOCATION
INFORMATION FOR EXCAVATION
(800) 892-0123 OR 811

DISTRICT ONE BUREAU OF MAINTENANCE: J. STUMPNER
MAINTENANCE LANDSCAPE DESIGNER: R. WANNER / T. JACKSON (847) 705-4171

CONTRACT 60W10

ROUTE	SECTION	COUNTY	TOTAL SHEETS	SHEET NUMBER
VARIOUS	2012-089I	VARIOUS	6	2

CONTRACT 60W10

INDEX OF SHEETS

- 1) COVER SHEET
- 2) INDEX OF SHEETS, GENERAL NOTES
- 3) SUMMARY OF QUANTITIES, STATE STANDARDS
- 4) SAMPLE WORK ORDER
- 5) SPRAY MAP TYPICAL
- 6) TC-17 TRAFFIC CONTROL DETAIL FOR FREEWAY SHOULDER CLOSURES AND PARTIAL RAMP CLOSURES

GENERAL NOTES

- Engineer may provide IDOT purchased herbicide to be tank mixed at no additional cost.
- Random spot check inspections by the Engineer will occur to verify calibration rates.
- In guardrail locations spray only the paved areas, do not spray grass beyond guardrail.

ILLINOIS DEPARTMENT OF TRANSPORTATION

WEED CONTROL

INDEX OF SHEETS
GENERAL NOTES

ROUTE	SECTION	COUNTY	TOTAL SHEETS	SHEET NUMBER
VARIOUS	2012-0891	VARIOUS	6	3

CONTRACT 60W10

SUMMARY OF QUANTITIES

PAY ITEM	DESCRIPTION	UNIT	0031		100% STATE
			CONTRACT MAINT FUND	FORMAL CONTRACT FUND	URBAN TOTAL
67100100	MOBILIZATION	L SUM		1	1
K0029614	WEED CONTROL, AQUATIC	GALLON		600	600
K0029624	WEED CONTROL, TEASEL	GALLON	80		80
X0322955	WEED CONTROL SELECTIVE (WOODY PLANTS & BROADLEAF)	GALLON		50	50
X0324854	WEED CONTROL, NATIVE GRASS RESTORATION	GALLON		5	5

STATE STANDARDS


701101-03 701311-03
701426-05 701901-02

ILLINOIS DEPARTMENT OF TRANSPORTATION

WEED CONTROL

SUMMARY OF QUANTITIES
STATE STANDARDS

ROUTE	SECTION	COUNTY	TOTAL SHEETS	SHEET NUMBER
VARIOUS	2012-089I	VARIOUS	6	4

 Illinois Department of Transportation	Contract Number: _____
	Weed Control Work Order #: _____
	Route: _____

CONTRACT 60W10

Standard 30-day application	Specialized 10-day spot spray
-----------------------------	-------------------------------

Cook	DuPage	Kane	Work Order Prepared By	Team Section
Lake	McHenry	Will		

Location:

Refer to attached Weed Control maps, which are hereby made a part of this work order (____ sheets)

WORK INCLUDED IN THIS WORK ORDER			
Item	Est. Map Qty.	Priority Multiplier	Est. Work Order Qty.
Weed Control, Aquatic	acres gallons		acres gallons
Weed Control, Teasel	acres gallons		acres gallons
Weed Control, Selective	acres gallons		acres gallons
Weed Control, Native Grass Restoration	acres gallons		acres gallons

AUTHORIZATION OF WORK ORDER	
Resident Engineer/Technician Signature	Date/Time
Contractor Signature (to acknowledge receipt)	Date/Time

APPROVED PERSONNEL (RE USE ONLY)	
Name	License Number
_____	_____
_____	_____
_____	_____

CERTIFICATION OF COMPLETION	
Contractor Signature	Date/Time

ACCEPTANCE OF COMPLETED WORK	
Resident Engineer/Technician Signature	Date/Time

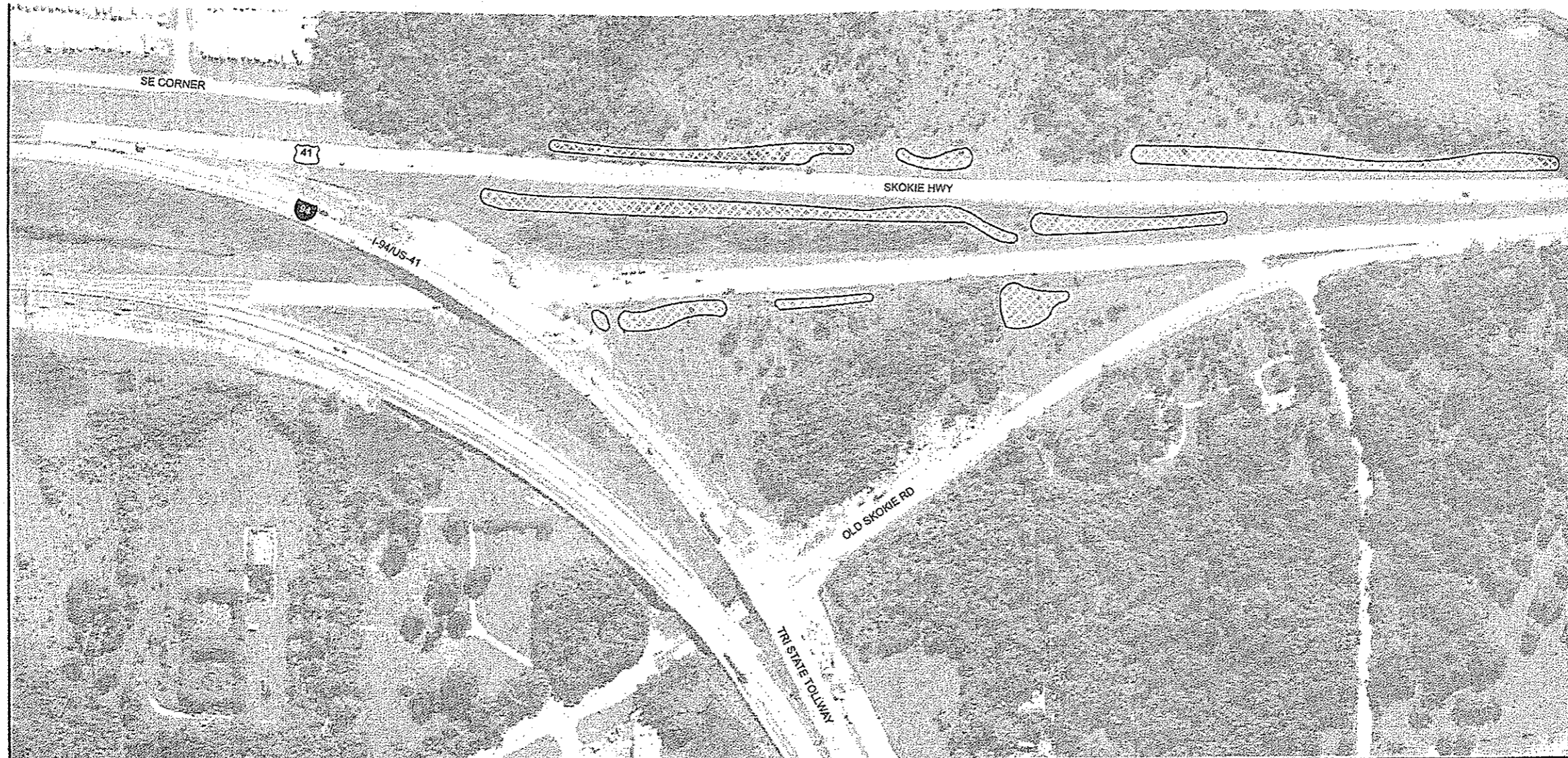
ILLINOIS DEPARTMENT OF TRANSPORTATION

WEED CONTROL

SAMPLE WORK ORDER

ROUTE	SECTION	COUNTY	TOTAL SHEETS	SHEET NUMBER
VARIOUS	2012-089I	VARIOUS	6	5

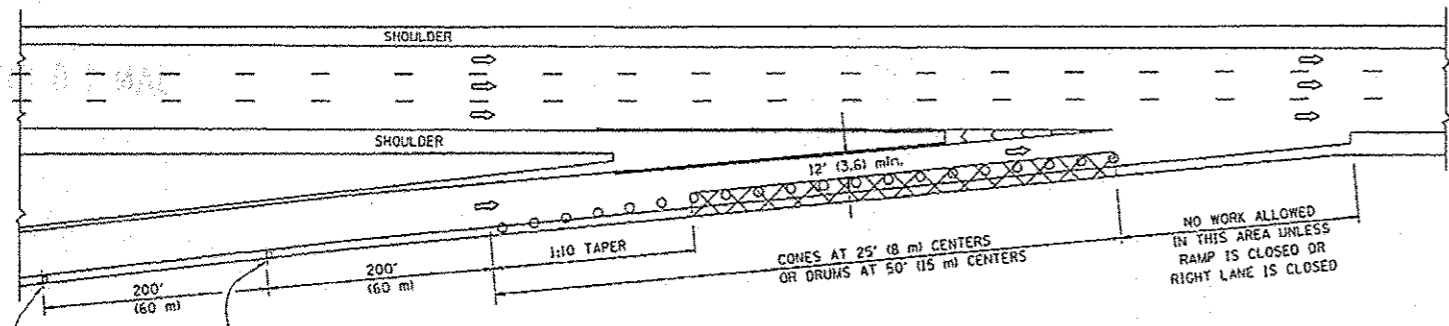
CONTRACT 60W10



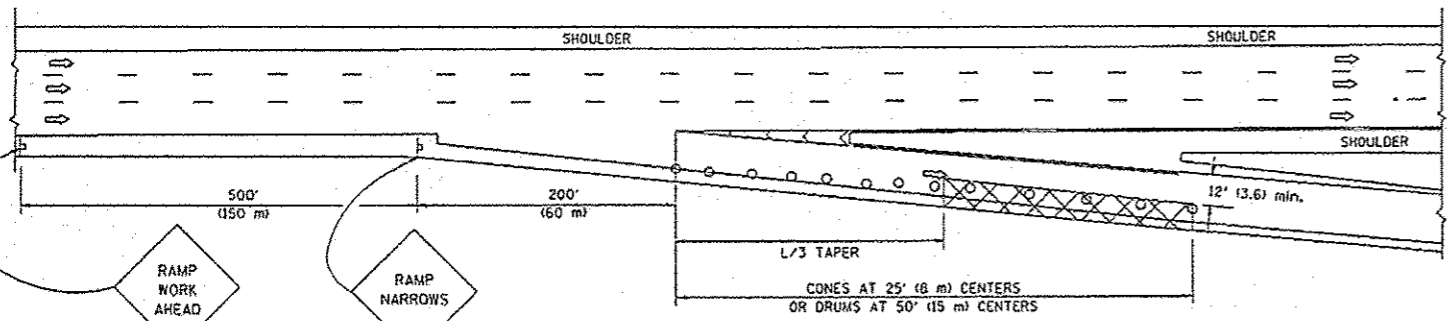
STATE OF ILLINOIS DEPARTMENT OF TRANSPORTATION LANDSCAPE MAINTENANCE	0 100 200 Feet		STRUCTURES — Guardrail - - - Sound Wall = Concrete Barrier Wall = Other Wall - - - Fence	MOWING 	WEED CONTROL <input type="checkbox"/> Teasel	WEED CONTROL 	Map Prepared by: Team Section: 116 - Gurnee Route: FAP-346 - U.S. Rte 41 Panel Number:	Contract #: Work Order #: Sheet #:

ILLINOIS DEPARTMENT OF TRANSPORTATION
 WEED CONTROL
 SPRAY MAP TYPICAL

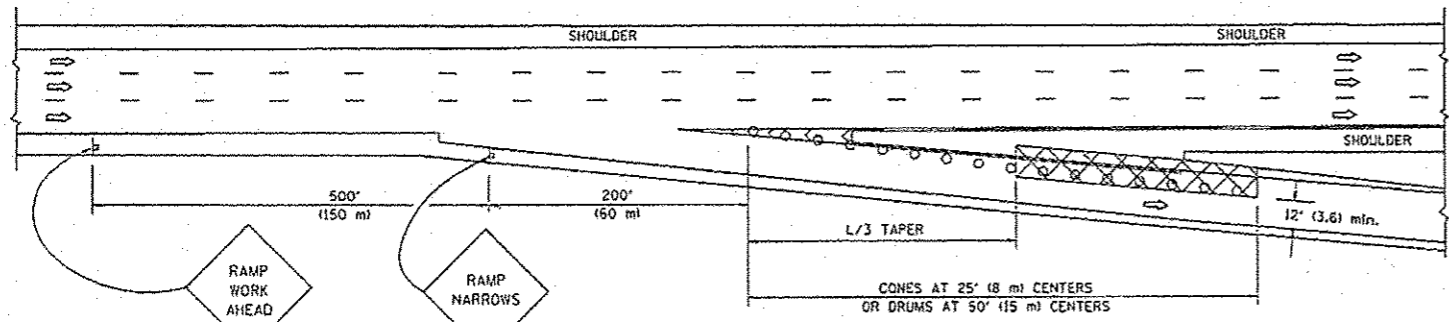
PARTIAL RAMP CLOSURE DETAILS



TYPICAL ENTRANCE RAMP

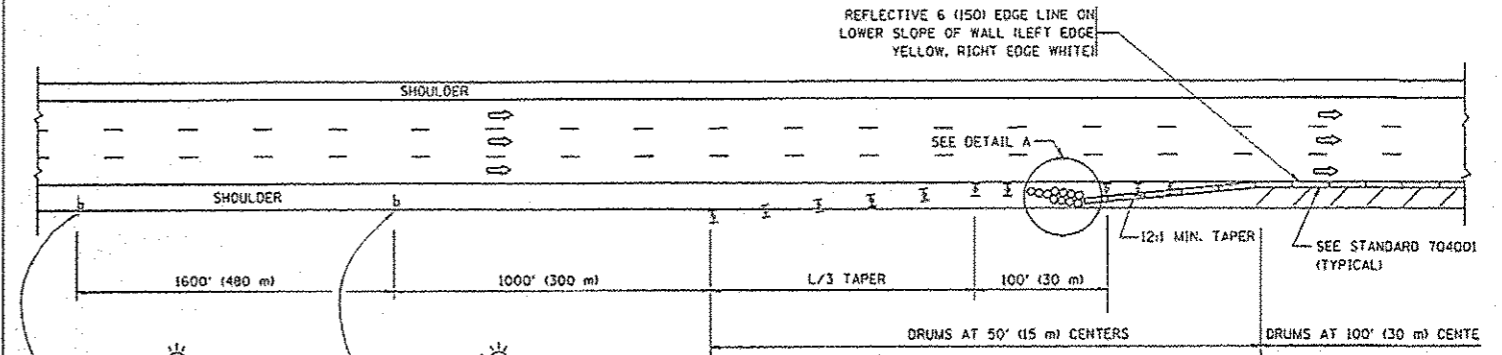


TYPICAL EXIT RAMP

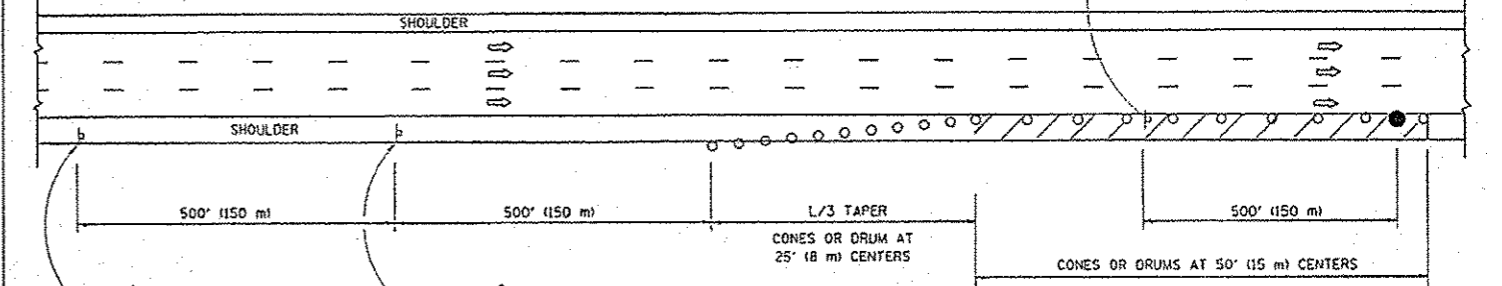


TYPICAL EXIT RAMP

SHOULDER CLOSURE DETAILS



PERMANENT SHOULDER CLOSURE



DAYTIME SHOULDER CLOSURE

THIS DETAIL IS USED WHERE:
 1. VEHICLES, EQUIPMENT, WORKERS OR THEIR ACTIVITIES ENCR OACH IN AN AREA CLOSER THAN 15' (4.5 m) TO THE EDGE OF PAVEMENT FOR A PERIOD IN EXCESS OF 15 MINUTES.

ARRAY DESIGN PER MANUFACTURER TO BE NCHRP 350 COMPLIANT.

DETAIL "A"
 IMPACT ATTENUATOR, TEMPORARY
 (SEE NOTE 5)

SYMBOLS

- ACTIVE WORK AREA
- SIGN ON PORTABLE OR PERMANENT SUPPORT
- FLAGGER WITH CONTROL SIGN
- TYPE II BARRICADE, DRUM OR VERTICAL BARRICADE WITH STEADY BURN MONO-DIRECTIONAL LIGHT
- CONE, DRUM OR BARRICADE

GENERAL NOTES

1. THE "L" DISTANCE EQUALS:

SPEED LIMIT	FORMULAS
45 mph (80 km/h) OR GREATER;	METRIC: $L=0.65(W)(S)$ ENGLISH: $L=1(W)(S)$

W = WIDTH OF OFFSET IN FEET (METERS)
 S = NORMAL POSTED SPEED MPH (KM/H)
2. PLASTIC DRUMS WITH HIGH PERFORMANCE REFLECTIVE SHEETING AND STEADY BURNING LIGHTS ARE REQUIRED FOR ALL NIGHTTIME CLOSURES.
3. ALL SIGNS SHALL BE POST MOUNTED IF THE CLOSURE TIME EXCEEDS FOUR DAYS.
4. FLASHING LIGHTS SHALL BE USED DURING THE HOURS OF DARKNESS AND SHALL BE INSTALLED ABOVE THE FIRST TWO SETS OF SIGNS.
5. THE IMPACT ATTENUATOR, TEMPORARY IS NOT REQUIRED WHEN THE TEMPORARY CONCRETE BARRIER WALL IS PROTECTED BY OR IS TIED INTO THE EXISTING GUARDRAIL. IF OFFSET IS LESS THAN 5 FEET USE NARROW USE TYPE DEVICE TO MEET NCHRP350.
6. AUTHORIZATION FROM THE DISTRICT'S BUREAU OF TRAFFIC IS REQUIRED FOR ALL FREEWAY CLOSURES.
7. THE FLAGGER AND FLAGGER SIGN ARE REQUIRED AT THE ABOVE WORK SITES WHEN:
 - a. FOUR OR MORE WORK VEHICLES ENTER THE TRAFFIC LANES IN A ONE HOUR PERIOD.
 - b. THE WORK ACTIVITY REQUIRES FREQUENT ENCR OACHMENT INTO THE LANE OPEN TO TRAFFIC.
 THE FLAGGER SHALL BE STATIONED APPROXIMATELY 100' (30 m) TO 200' (60 m) IN ADVANCE OF THE WORKERS.