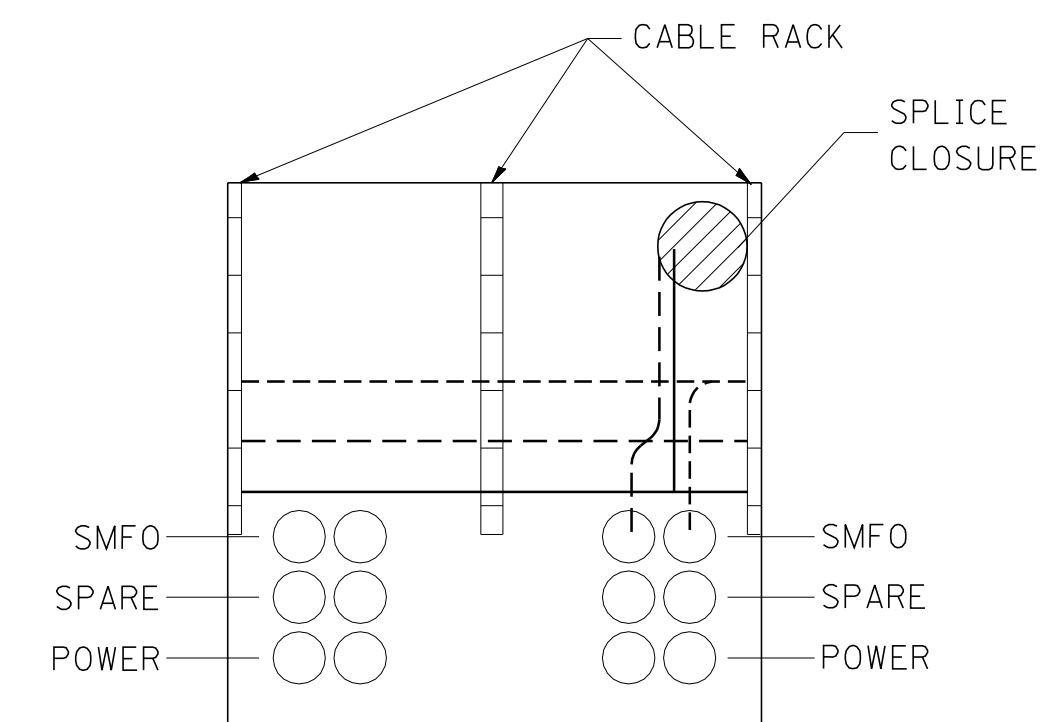
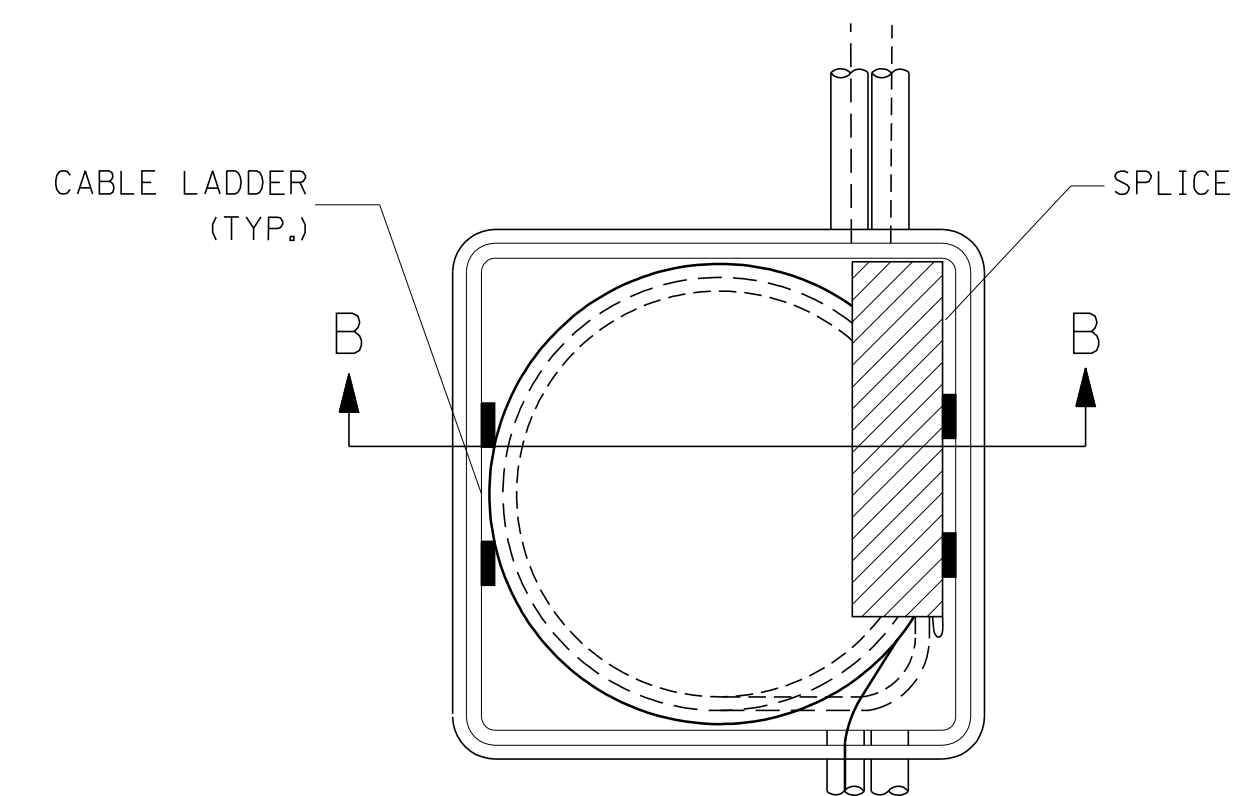
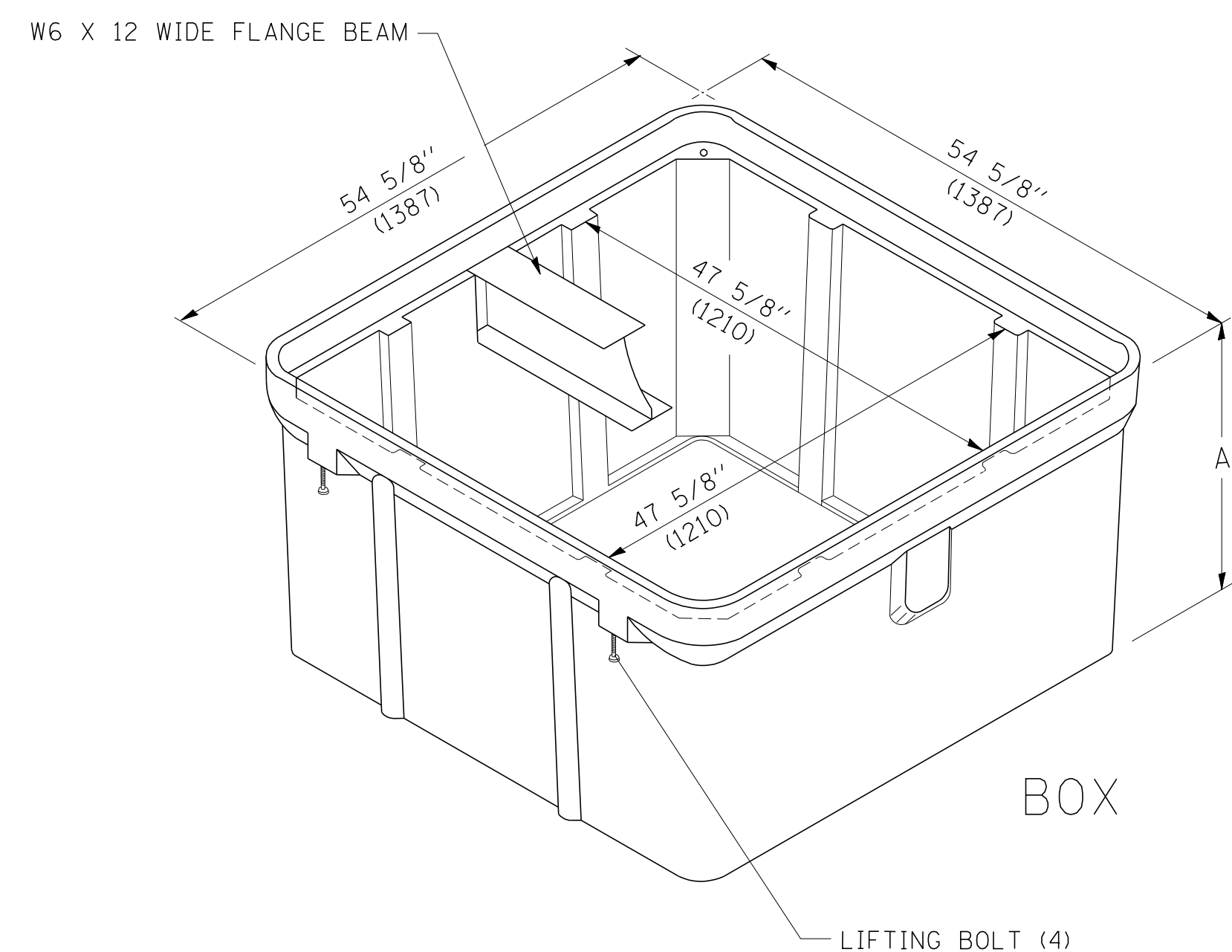


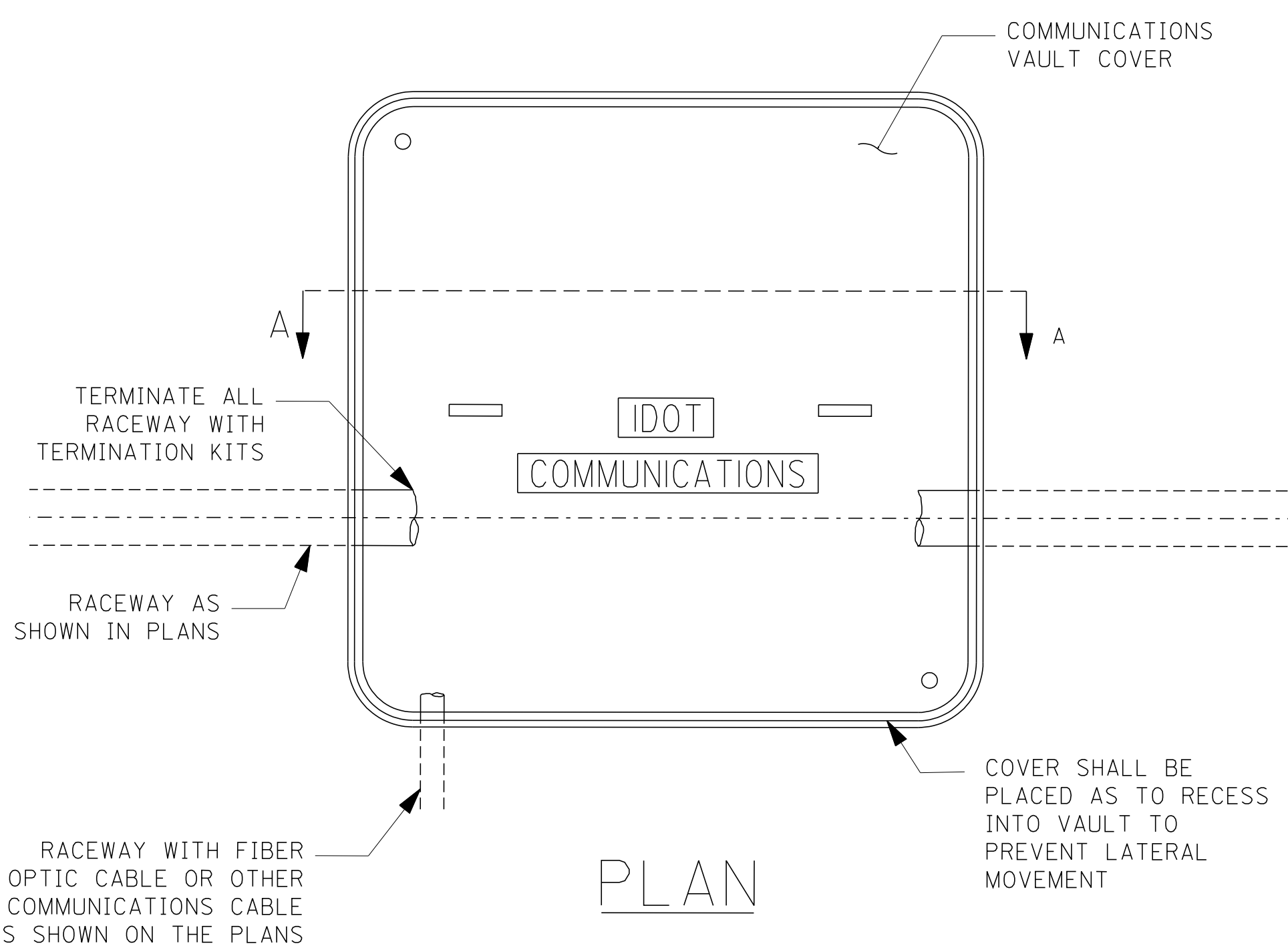
SECTION A-A



SECTION B-B



ISOMETRIC



PLAN

NOTES:

1. BOX SHALL HAVE AN OPEN BASE.
2. COVER SHALL WITHSTAND A 22,500/33,750 DESIGN/TEST LOADING AND SHALL LOCK.
3. ALL OPENINGS IN STRUCTURE MUST BE MACHINED AT TIME OF FABRICATION OR PUNCH DRIVEN AT TIME OF PLACEMENT, IN ACCORDANCE WITH MANUFACTURER RECOMMENDATIONS.
4. FIELD PLACEMENT OF COMMUNICATIONS VAULT SHALL BE AS DIRECTED BY THE ENGINEER.
5. ALL DIMENSIONS ARE MINIMUM AND A LARGER SIZE HANDHOLE MAY BE USED, WITH THE APPROVAL OF THE ENGINEER, TO FACILITATE USING A MANUFACTURER'S STANDARD PRODUCT.

FILE NAME =	USER NAME = leysa	DESIGNED -	REVISED -	STATE OF ILLINOIS DEPARTMENT OF TRANSPORTATION	COMMUNICATIONS VAULT, COMPOSITE CONCRETE			F.A.I. RTE.	SECTION	COUNTY	TOTAL SHEETS	SHEET NO.
et:\pwork\pwidot\LEYSAd0108315\be705.dgn		DRAWN -	REVISED -					80	2012-0711	WILL/COOK	37	29
	PLOT SCALE = 50.0000' / IN.	CHECKED -	REVISED -		BE-705			CONTRACT NO. 60V81				
	PLOT DATE = 3/29/2010	DATE = 03-22-10	REVISED -		SCALE: NONE	SHEET NO.	OF SHEETS	STA.	TO STA.	FED. ROAD DIST. NO. 1 ILLINOIS FED. AID PROJECT		