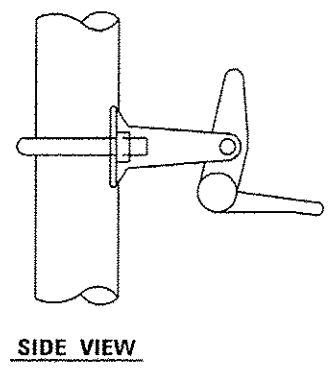
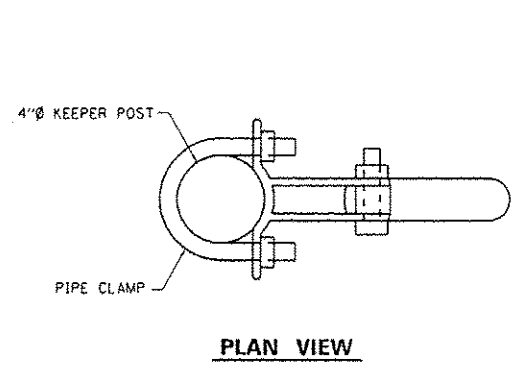
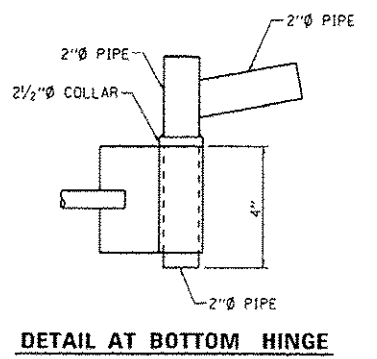


MOUNT 3 SIGNS ONLY AS DIRECTED BY THE ENGINEER AND THE SITE SUPERINTENDENT.

REMOVE AND RESET EXISTING SIGNS



AUTOMATIC GATE KEEPER



FILE NAME * L:\1001\1056-18-11\Draw\CADD\Sheets\DIS	USER NAME * Jack Blakemore	DESIGNED - JWB	REVISED -	STATE OF ILLINOIS DEPARTMENT OF TRANSPORTATION	TUBULAR STEEL GATE DETAIL MERMET LAKE STATE FISH AND WILDLIFE AREA		F.A. RTE.	SECTION	COUNTY	TOTAL SHEETS	SHEET NO.
	METAL_GATE_DETAIL.dgn	DRAWN - AJK	REVISED -		SCALE: NTS	SHEET NO. 1 OF 1 SHEETS	STA. N/A TO STA. N/A	PARK ROADS	MASSAC	16	15
	PLOT SCALE = 6.8888 1/16	CHECKED - SPH	REVISED -								
	PLOT DATE = 12/21/2012	DATE - 12/21/2012	REVISED -					ILLINOIS FED. AID PROJECT			