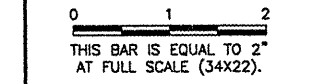


REVISIONS		
NUMBER	BY	DATE



VERMILLION COUNTY AIRPORT
 DANVILLE, ILLINOIS

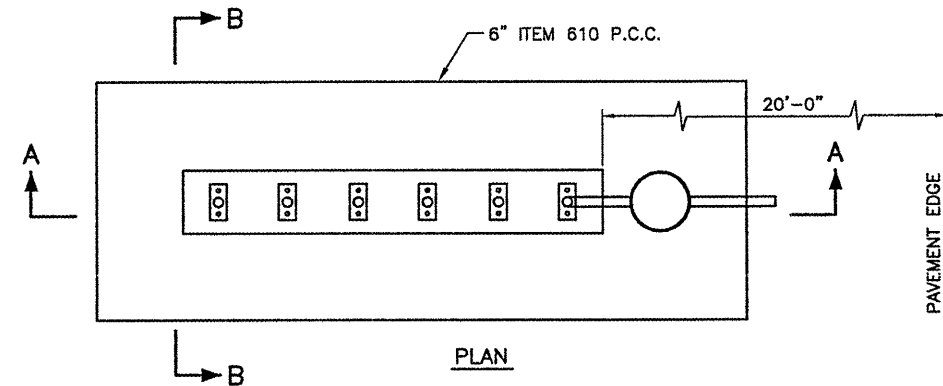
EXTEND PARALLEL TAXIWAY 600 FEET

ELECTRICAL DETAILS SHEET 3

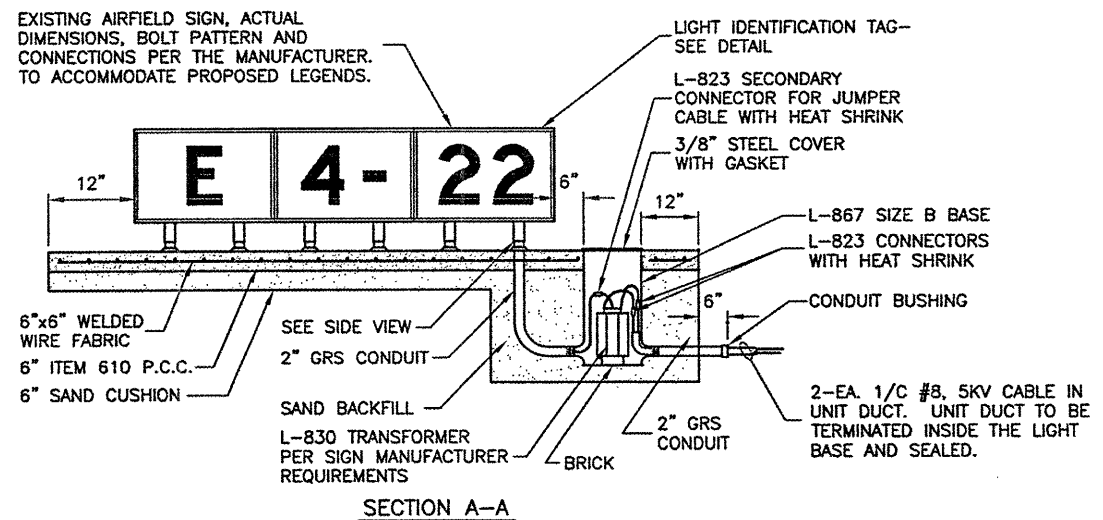
© Copyright CMT, Inc.

CMT
 CRAWFORD, MURPHY & TILLY, INC.
 CONSULTING ENGINEERS
 License No. 084-000613

DESIGN BY:	SMS
DRAWN BY:	DPA
CHECKED BY:	JEF
APPROVED BY:	JEF
DATE:	01/09/2009
JOB No:	05042-0300
ILLINOIS PROJECT DNV-	3537
A.I.P. PROJECT 3-17-	0032-B10
SHEET	17 OF 26 SHEETS



SIGN SCHEDULE							
	SIGN NO.	SIDE	NEW SIGN LEGEND	WHITE LEGEND WITH BLACK OUTLINE ON RED BACKGROUND	BLACK LEGEND ON YELLOW BACKGROUND	YELLOW LEGEND ON BLACK BACKGROUND	PROPOSED NUMBER OF CHARACTERS
RELOCATED	2	N S	← A		← A		2

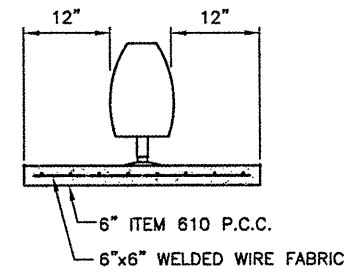


L-858 AIRFIELD SIGN DETAILS

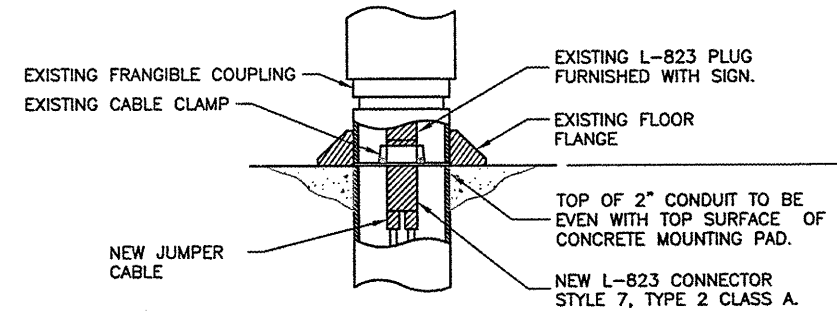
N.T.S.

NOTES

1. TRANSFORMER WATTAGE TO BE AS REQUIRED BY SIGN MANUFACTURER.
2. SIGN LEGEND TO BE AS SHOWN IN THE PLANS.
3. SIGNS TO BE SIZE 2 STYLE 2, CLASS 2.
4. RELOCATED SIGN TO INCLUDE NEW PCC BASE, L-867 SIZE B BASE, L-830 TRANSFORMER AS REQUIRED BY EXISTING SIGN, 2" GRS CONDUIT AND ANY OTHER MATERIAL REQUIRED TO MOUNT THE EXISTING SIGN ON THE NEW BASE. THE COSTS FOR FURNISHING AND INSTALLING THESE MATERIALS WILL BE CONSIDERED INCIDENTAL TO THE RELOCATED SIGN.



SECTION B-B



ELECTRICAL CONNECTION DETAIL

N.T.S.

ALL MATERIAL TO BE NEW FOR RELOCATED SIGN INSTALLATION. REUSE EXISTING MATERIAL FOR RELOCATED SIGN INSTALLATION.