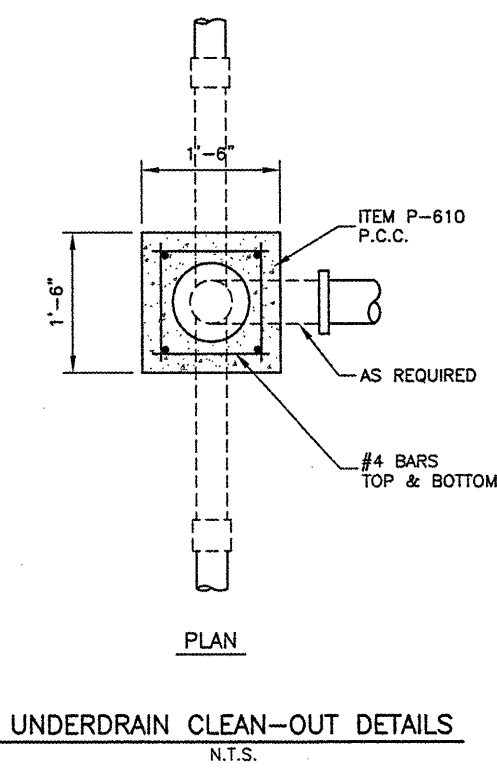
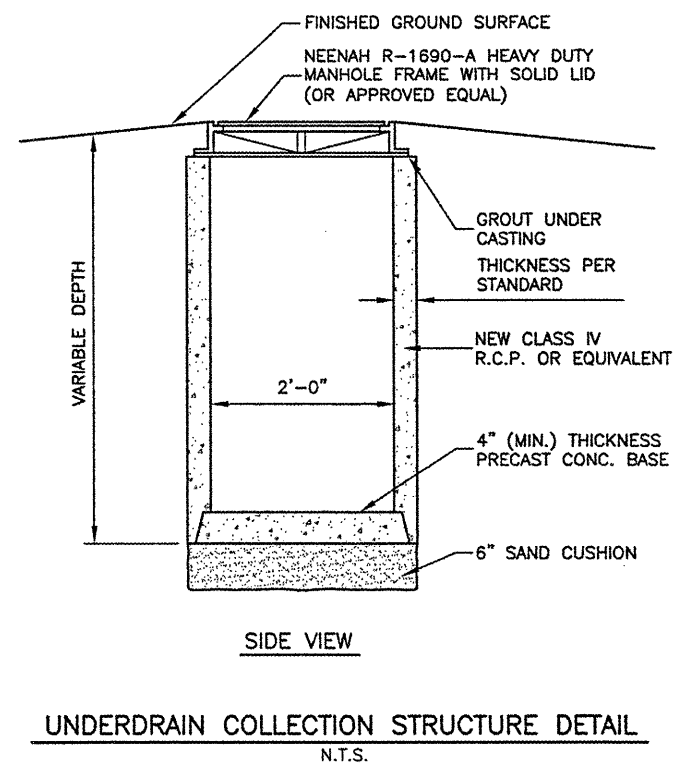
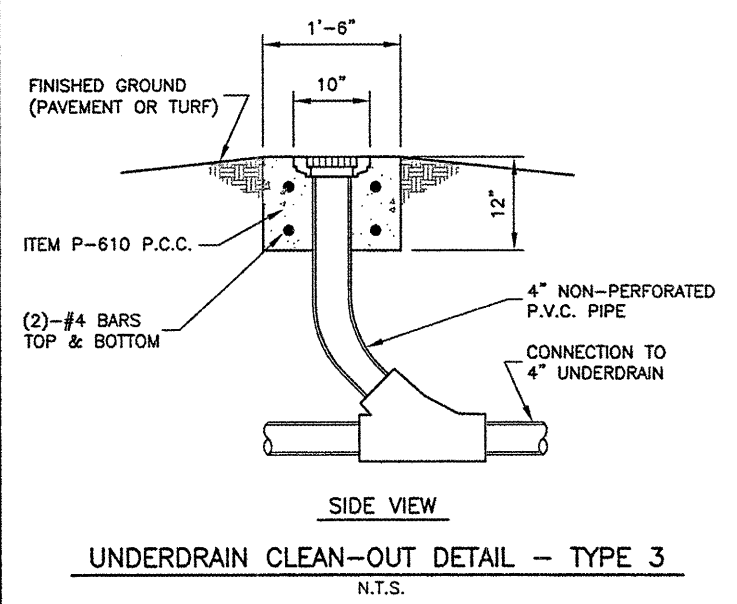
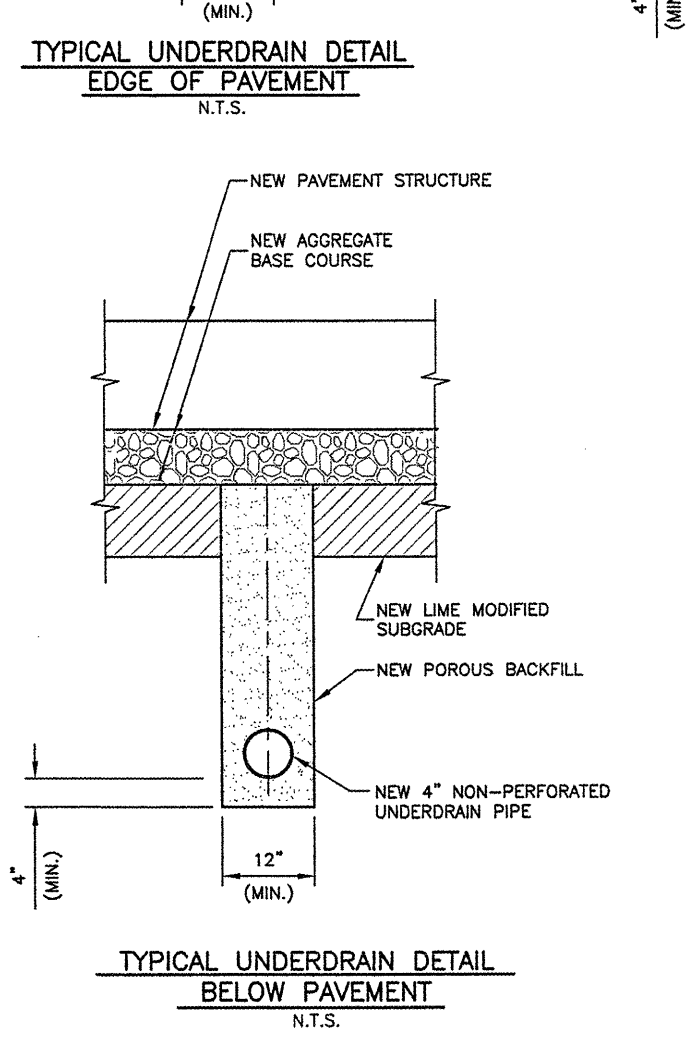
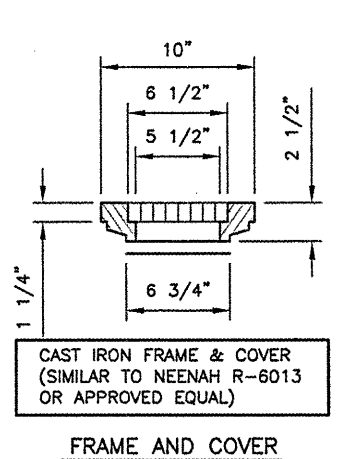
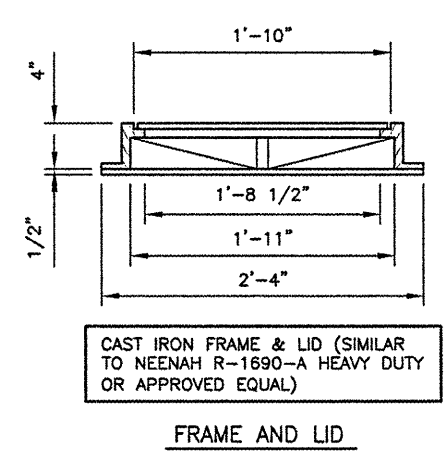
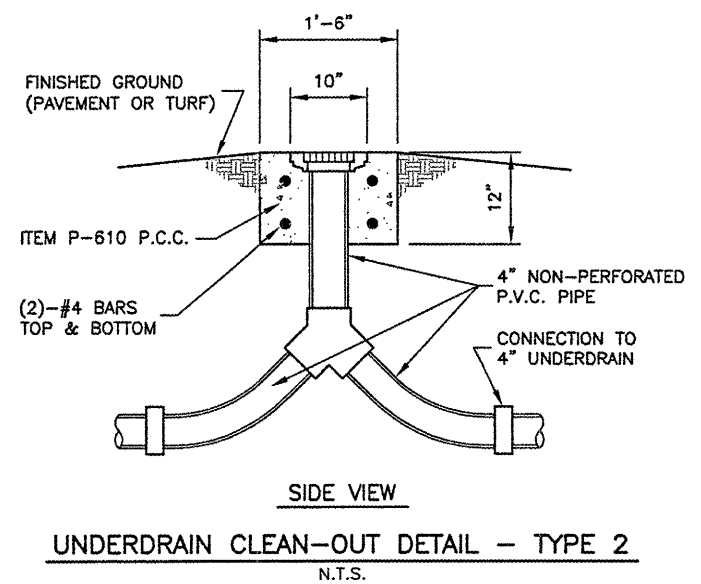
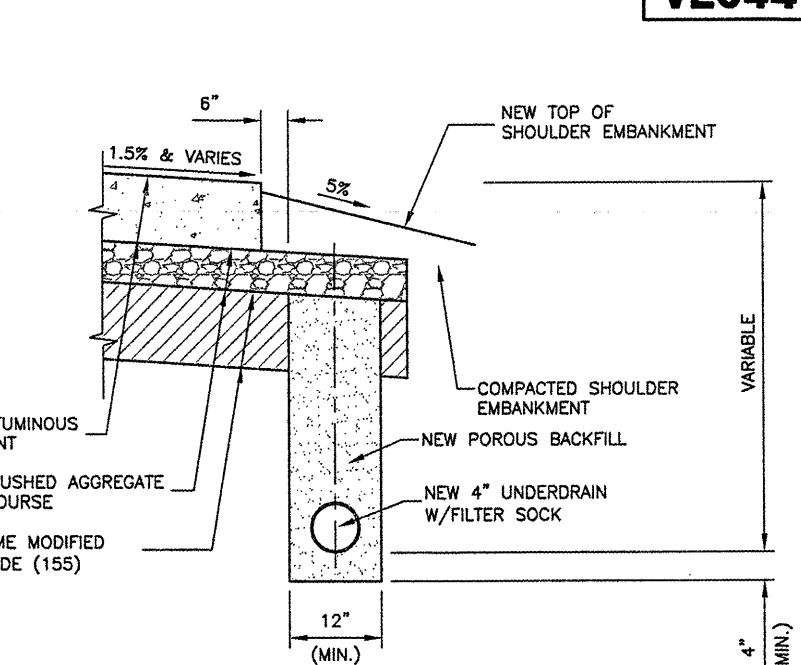
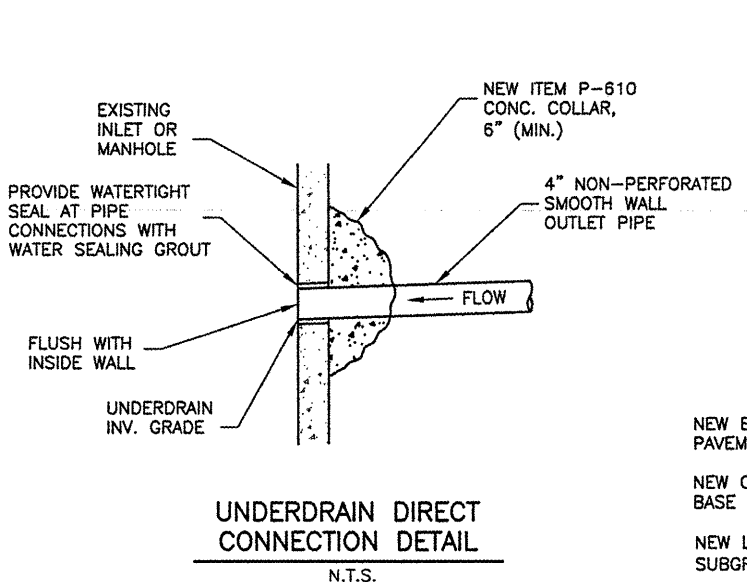
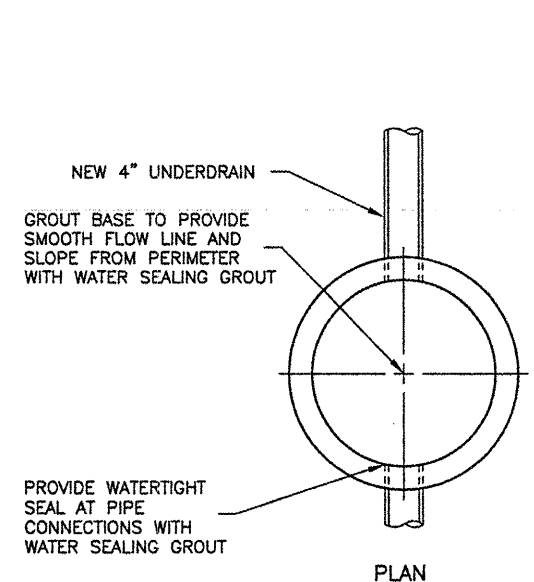
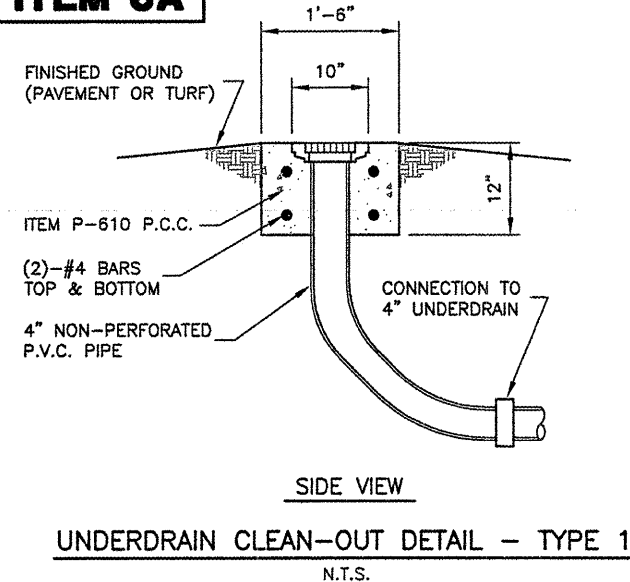


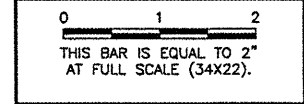
K:\Danville\p\0504203 Taxiway Extension\Draw\Sheets
 FILE: 11_UD-DET1.dwg
 LAYOUT: UD-DET1
 UPDATE BY: dallen
 SURVEY BOOK #
 DATE: Mon 1/5/09 4:31pm
 XREF DWG: Cintinfo.dwg



NOTES
 DURING UNDERDRAIN CONSTRUCTION, CARE SHALL BE TAKEN TO ENSURE GOOD DRAINAGE BETWEEN THE SUB-BASE AND THE POROUS BACKFILL. MATERIAL WHICH WILL AFFECT DRAINAGE TO THE UNDERDRAIN MUST BE REMOVED PRIOR TO THE PLACEMENT OF PROPOSED POROUS BACKFILL. ALL COST FOR THIS WORK WILL BE CONSIDERED INCIDENTAL.

REVISIONS

NUMBER	BY	DATE



VERMILLION COUNTY AIRPORT
 DANVILLE, ILLINOIS
 EXTEND PARALLEL TAXIWAY 600 FEET
 UNDERDRAIN DETAILS

© Copyright CMT, Inc.
CMT
 CRAWFORD, MURPHY & TILLY, INC.
 CONSULTING ENGINEERS
 License No. 184-000513

DESIGN BY:	JEF
DRAWN BY:	DPA
CHECKED BY:	JEF
APPROVED BY:	JEF
DATE:	01/09/2009
JOB No:	05042-0300
ILLINOIS PROJECT DNV-3537	
A.I.P. PROJECT 3-17-0032-810	
SHEET	11 OF 26 SHEETS