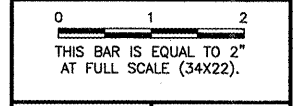


KA038

K:\kankakeep\0807506 Lighting Ph.2\Draw\Sheets
 FILE: Vault.dwg
 LAYOUT: Layout1
 UPDATE BY: Jim Ohse
 SURVEY BOOK #
 DATE: Thursday, January 15, 2009 11:24:41 AM
 XREF DWG: tbcInt.dwg
 tb.dwg

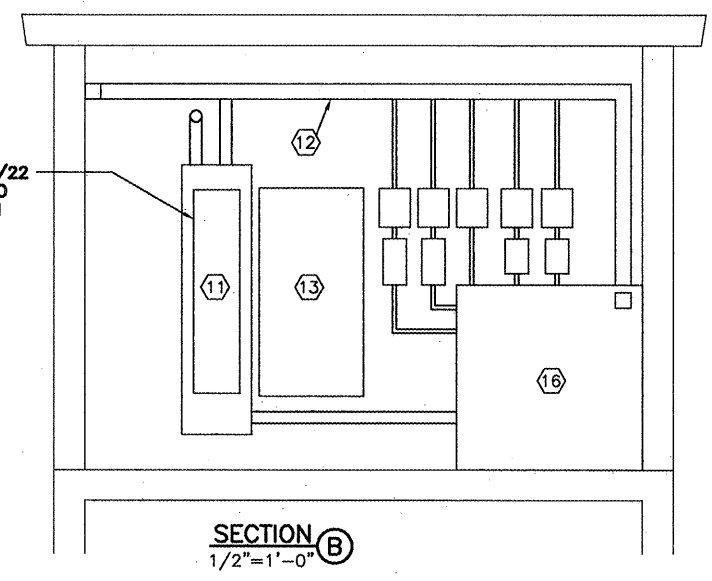
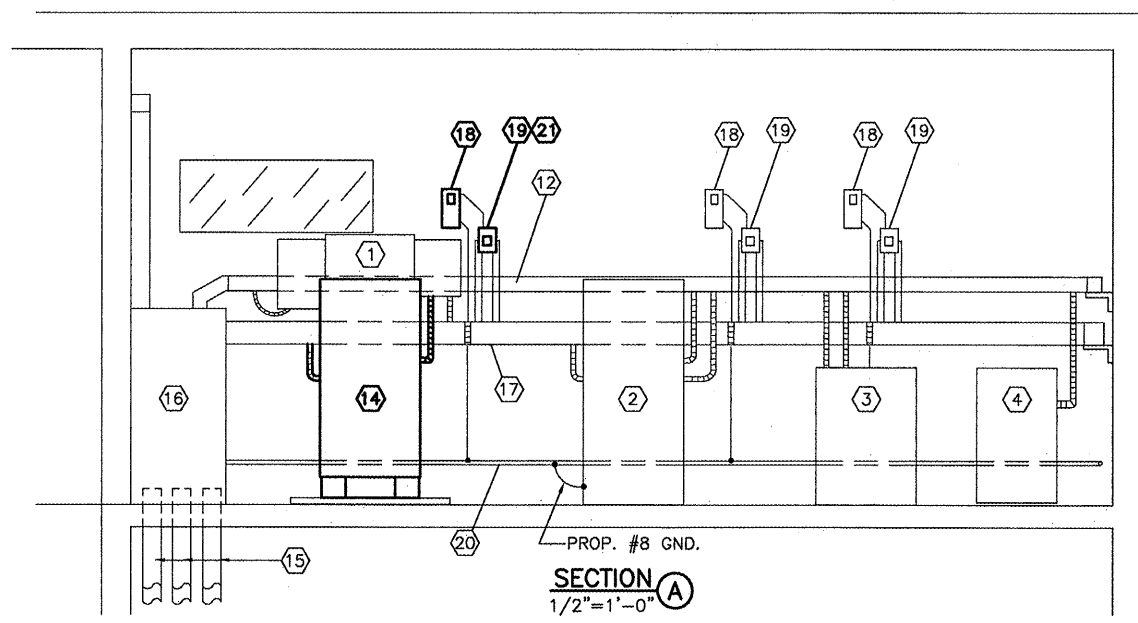
REVISIONS		
NUMBER	BY	DATE



**GREATER KANKAKEE AIRPORT
 KANKAKEE, ILLINOIS
 REHABILITATE AIRFIELD LIGHTING SYSTEM -
 RUNWAY 4/22 PARALLEL AND CONNECTING TAXIWAYS
 ELECTRICAL VAULT IMPROVEMENTS**

© Copyright CMT, Inc.
CMT
 CRAWFORD MERRY & TILLY, INC.
 CONSULTING ENGINEERS
 License No. 984-000813

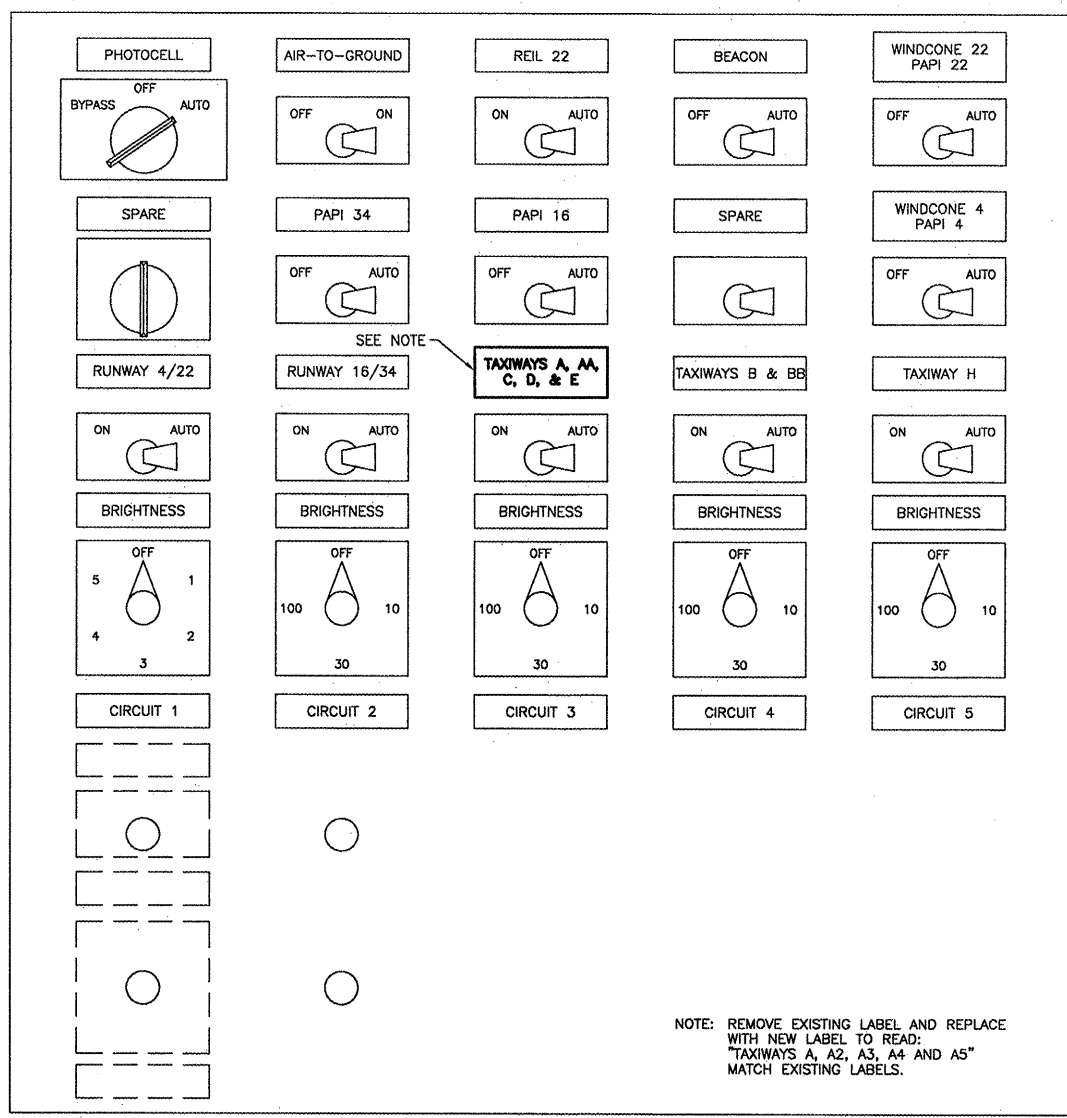
DESIGN BY:	AB
DRAWN BY:	JRO
CHECKED BY:	AB
APPROVED BY:	
DATE:	01/16/09
JOB No:	08075-06
IL PROJECT: IKK-3863 A.I.P. PROJECT: 3-17-0057-B15	
FINAL SUBMITTAL	
SHEET 18 OF 20 SHEETS	



NEW 125 AMP, 2P C.B. FOR RUNWAY 4/22
 CKT. 1 REGULATOR. CIRCUIT BREAKER TO
 BE CUTLER HAMMER TYPE BAB BOLT ON
 THERMAL MAGNETIC CIRCUIT BREAKER IN
 EXISTING LIGHTING PANEL "E"

EQUIPMENT NOTES

- | | |
|---|---|
| <p>① EXIST. 15 KW, L-828 REGULATOR FOR EXIST. RUNWAY 4/22 (CKT. #1) TO BE REMOVED. TURNED OVER TO THE AIRPORT AT A LOCATION ON AIRPORT PROPERTY DESIGNATED BY AIRPORT MANAGER.</p> <p>② EXIST. 20 KW, L-828 REGULATOR FOR TAXIWAY "A" (CKT. #3)</p> <p>③ EXIST. 10 KW, L-828 REGULATOR FOR TAXIWAYS B/BB (CKT. #4)</p> <p>④ EXISTING 10 KW, L-828 REGULATOR FOR TAXIWAY "H" (CKT. #5)</p> <p>⑤ EXIST. 7 KW, L-812 REGULATOR USED AS STANDBY REGULATOR</p> <p>⑥ EXIST. 7.5 KW, L-828 REGULATOR FOR EXISTING RUNWAY 16/34(CKT. #2)</p> <p>⑦ EXIST. L-821 CONTROL PANEL</p> <p>⑧ EXIST. CONTROL RELAY AND RADIO INTERFACE PANEL</p> <p>⑨ EXIST. L-854 AIR-TO-GROUND RADIO CONTROLLER</p> <p>⑩ EXIST. STANDBY REGULATOR CONTROL PANEL</p> <p>⑪ EXIST. LIGHTING PANEL "E", 400 AMP, 240/120 VAC, 3P, 4W.</p> <p>⑫ EXIST. 4"x4" WIREWAY TO CONTAIN ALL PROP. 240 VAC AND 120 VAC WIRING</p> <p>⑬ EXIST. TELEPHONE PANEL</p> | <p>⑭ NEW 20KW, L-828, 5-STEP REGULATOR FOR RUNWAY 4/22 CKT. #1, 240V AC INPUT, 6.6 AMP OUTPUT. NEW 240 VAC POWER WIRING, 2-1/C #1 THWN, 1 #1 GND. IN NEW 1-1/2" LIQUID TIGHT FLEX CONDUIT TO EXISTING WIREWAY, THEN TO EXISTING LIGHTING PANEL "E". SERIES CIRCUIT AND CONTROL WIRING TO BE RECONNECTED TO NEW REGULATOR.</p> <p>⑮ EXISTING 6-4" CONDUITS WITH AIRFIELD CIRCUIT HOMERUNS.</p> <p>⑯ EXISTING PULL BOX.</p> <p>⑰ EXISTING HIGH VOLTAGE WIREWAY.</p> <p>⑱ EXISTING 5KV GROUND DISCONNECT TO BE REMOVED.</p> <p>⑲ EXISTING SERIES CIRCUIT PLUG CUTOUT TO BE REMOVED.</p> <p>⑳ EXISTING GROUND BUS.</p> <p>㉑ NEW SERIES CIRCUIT PLUG CUTOUT/GROUNDING SWITCH, MODEL NO. 1475-92-030 BY SIEMENS OR EQUAL.</p> |
|---|---|



NOTE: REMOVE EXISTING LABEL AND REPLACE WITH NEW LABEL TO READ: "TAXIWAYS A, A2, A3, A4 AND A5" MATCH EXISTING LABELS.

