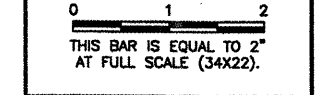


CA007

REVISIONS		
NUMBER	BY	DATE

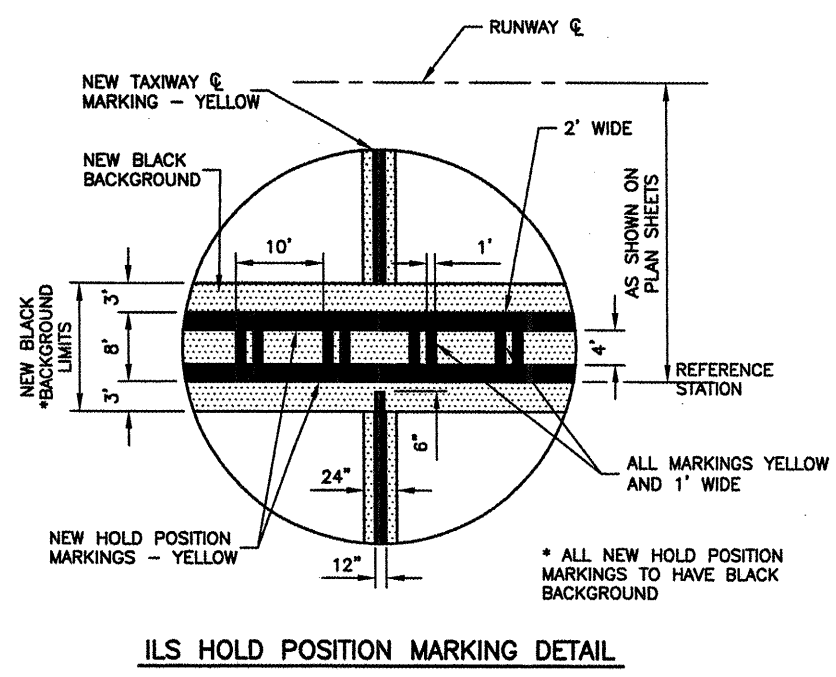


**SPRINGFIELD AIRPORT AUTHORITY
 ABRAHAM LINCOLN CAPITAL AIRPORT
 SPRINGFIELD, ILLINOIS**

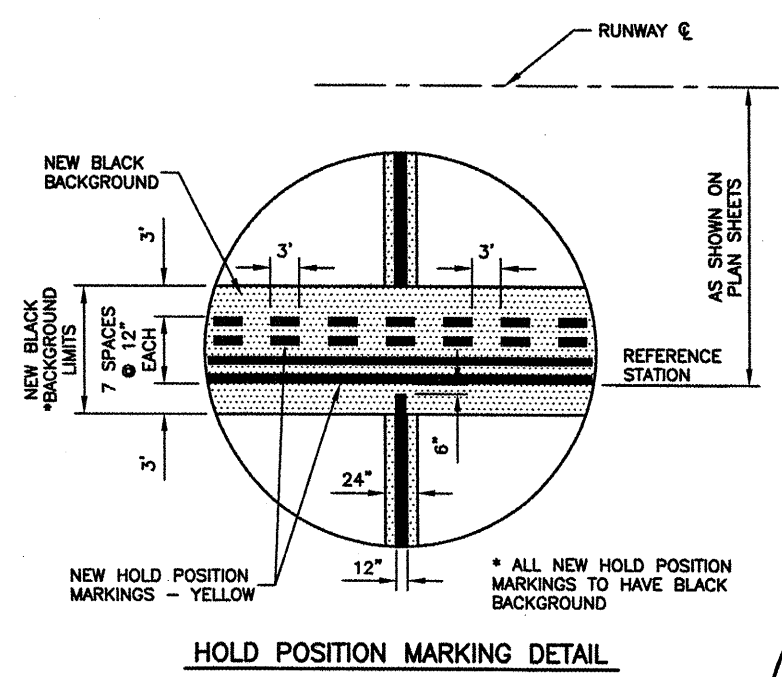
**WIDEN TAXIWAY G - PHASE 2
 MARKING DETAILS 1**

© Copyright CMT, Inc.
CMT
 CRAWFORD, MURPHY & TILLY, INC.
 CONSULTING ENGINEERS
 License No. 84-000610

DESIGN BY:	CBG
DRAWN BY:	CMT
CHECKED BY:	<i>REB</i>
APPROVED BY:	<i>REB</i>
DATE:	01/30/2009
JOB No:	07035-09-00
IL PROJ. NO.	SPI-3880
AIP PROJ. NO.	3-17-0096-XX
SHEET	43 OF 65 SHEETS

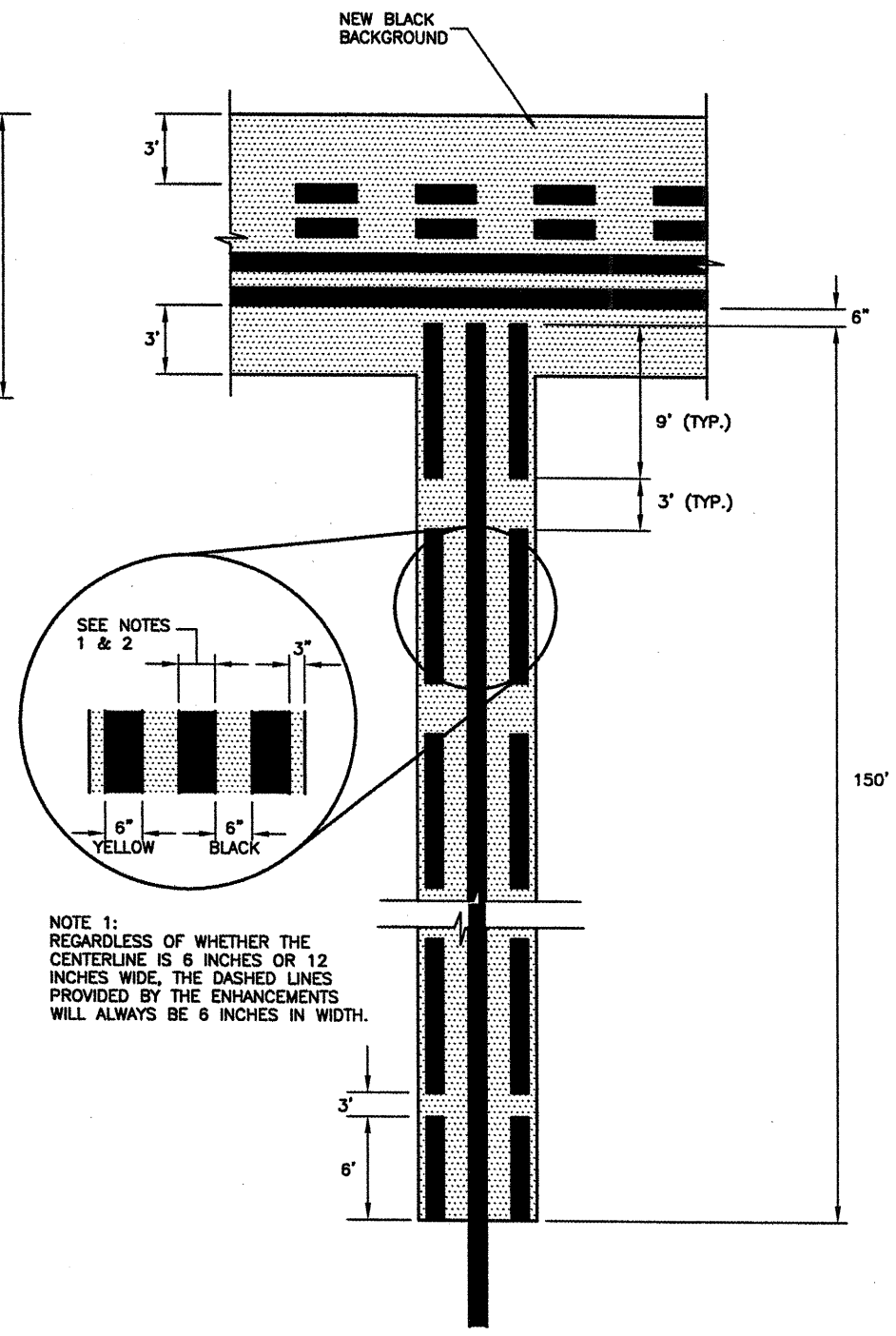


ILS HOLD POSITION MARKING DETAIL



HOLD POSITION MARKING DETAIL

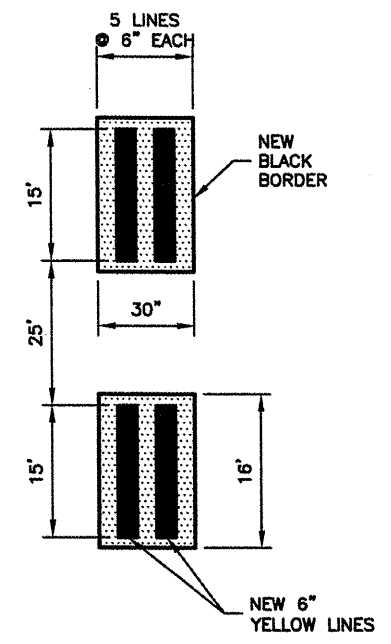
N.T.S.



ENHANCED TAXIWAY CENTERLINE MARKING

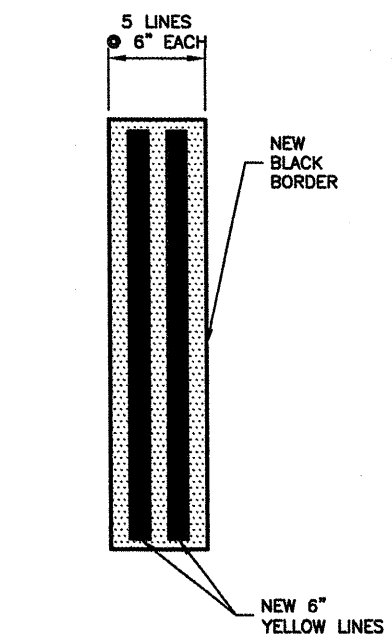
N.T.S.

NOTE 1:
 REGARDLESS OF WHETHER THE CENTERLINE IS 6 INCHES OR 12 INCHES WIDE, THE DASHED LINES PROVIDED BY THE ENHANCEMENTS WILL ALWAYS BE 6 INCHES IN WIDTH.



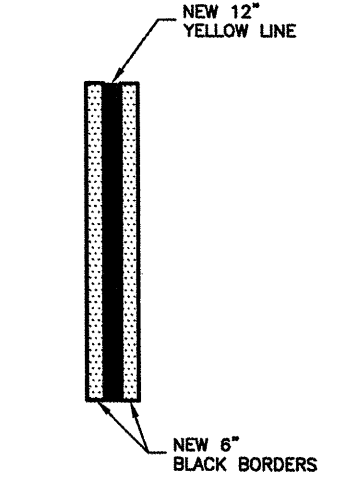
TAXIWAY EDGE MARKING DASHED

N.T.S.



TAXIWAY EDGE MARKING CONTINUOUS

N.T.S.



TAXIWAY CENTERLINE CONTINUOUS

N.T.S.

MARKING NOTE
 ALL NEW AIRFIELD MARKING SHALL HAVE REFLECTIVE BEADS & 6" BLACK BORDER