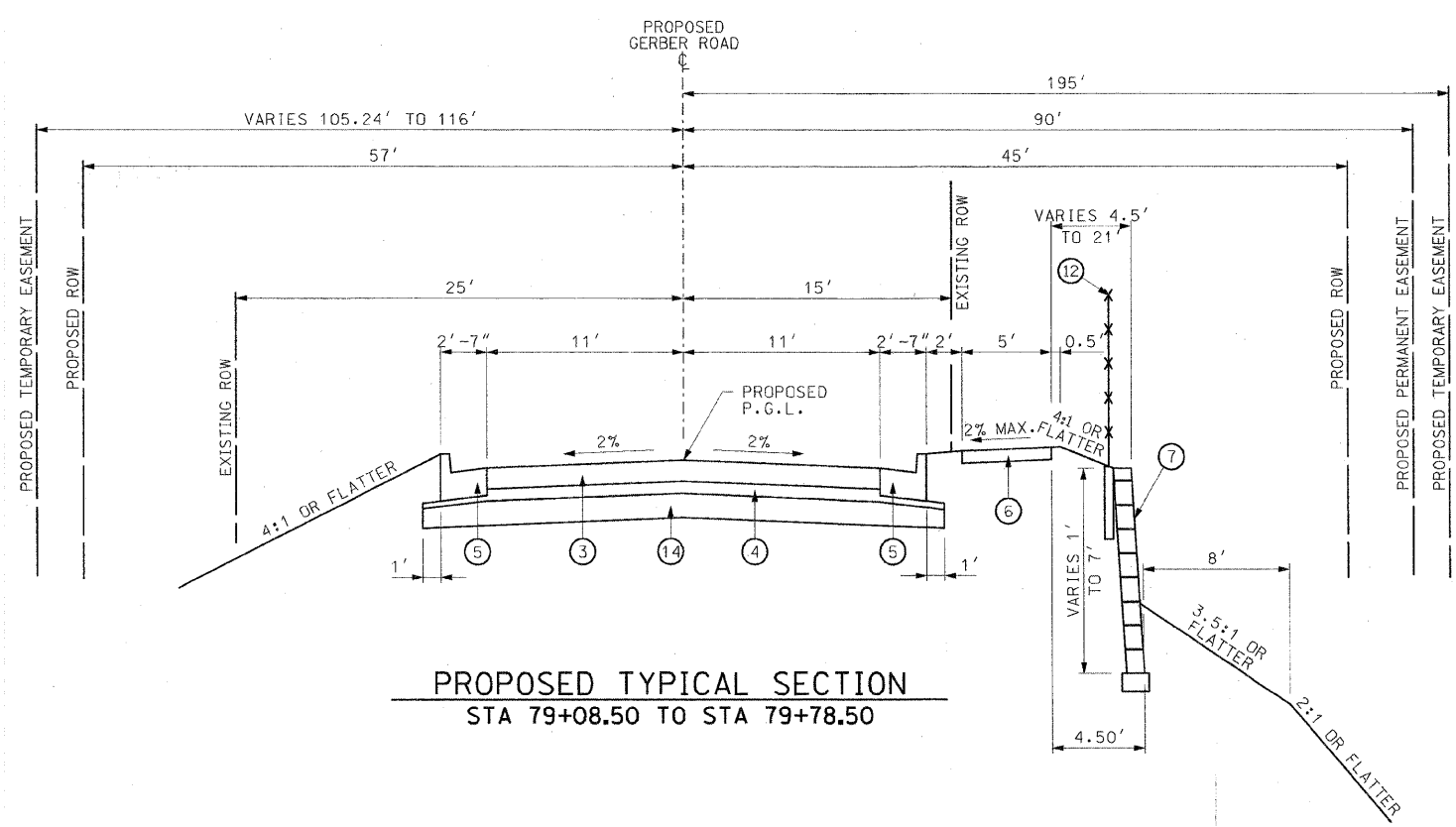
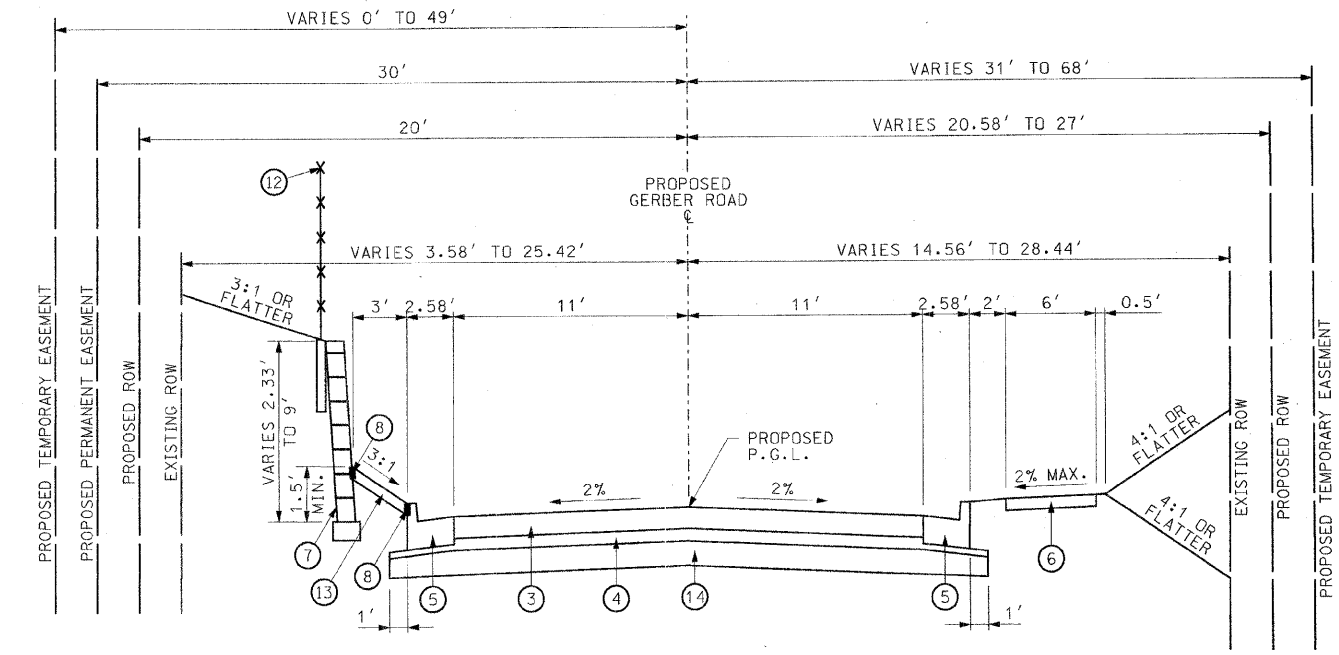


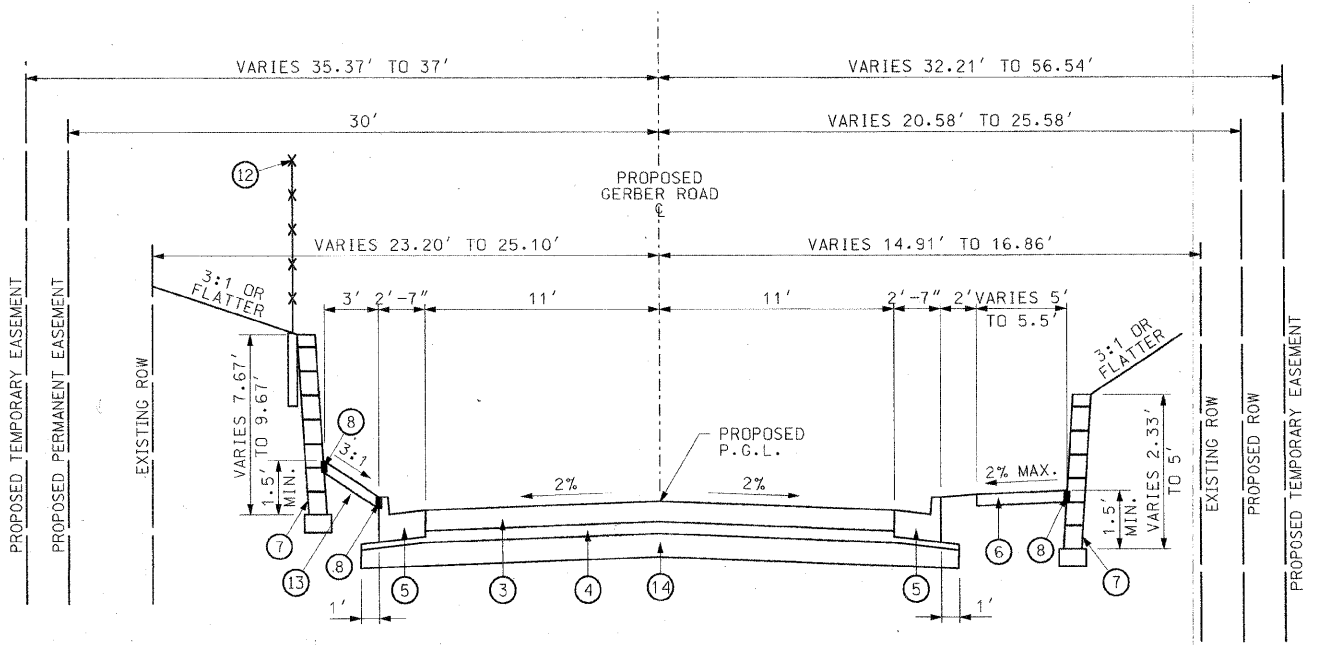
F.A.A. RTE.	SECTION	COUNTY	TOTAL SHEETS	SHEET NO.
8894	05-00073-01-PV	MADISON	68	4
STA. N.A.	TO STA. N.A.			
FED. ROAD DIST. NO.	ILLINOIS	FEDERAL AID PROJECT		



PROPOSED TYPICAL SECTION
STA 79+08.50 TO STA 79+78.50



PROPOSED TYPICAL SECTION
STA 81+89.00 TO STA 82+37.93
STA 82+90.43 TO STA 84+81.50



PROPOSED TYPICAL SECTION
STA 82+37.93 TO STA 82+90.43

LEGEND

- ① EXISTING BITUMINOUS CONCRETE SURFACE COURSE, ± 2"
- ② EXISTING OIL & CHIP AND AGGREGATE BASE, ± 5"
- ③ PROPOSED HOT-MIX ASPHALT PAVEMENT (FULL DEPTH), 7" (1 1/2" SURFACE COURSE, 5 1/2" BINDER COURSE)
- ④ PROPOSED SUB-BASE GRANULAR MATERIAL, TYPE A, 4"
- ⑤ PROPOSED COMBINATION CONCRETE CURB AND GUTTER, TYPE B-6.24
- ⑥ PROPOSED PORTLAND CEMENT CONCRETE SIDEWALK, 4"
- ⑦ PROPOSED SEGMENTAL CONCRETE BLOCK WALL
- ⑧ PROPOSED 3/4" THICK PREFORMED EXPANSION JOINT FILLER (COST INCIDENTAL TO PROPOSED P.C.C. SIDEWALK, 4" OR MISCELLANEOUS CONCRETE, 4")
- ⑨ PROPOSED HOT-MIX ASPHALT SURFACE COURSE, MIX "C", N70, 3"
- ⑩ PROPOSED BITUMINOUS MATERIALS (PRIME COAT)
- ⑪ PROPOSED SUB-BASE GRANULAR MATERIAL, TYPE A, 8"
- ⑫ PROPOSED FENCE (SPECIAL)
- ⑬ PROPOSED MISCELLANEOUS CONCRETE, 4"
- ⑭ PROCESSING MODIFIED SOIL, 8"

REVISIONS	
NAME	DATE

ILLINOIS DEPARTMENT OF TRANSPORTATION

TYPICAL SECTIONS

SCALE: VERT. NTS
HORIZ. NTS
DATE 1/4/08

DRAWN BY AJK, RJM
CHECKED BY JWB