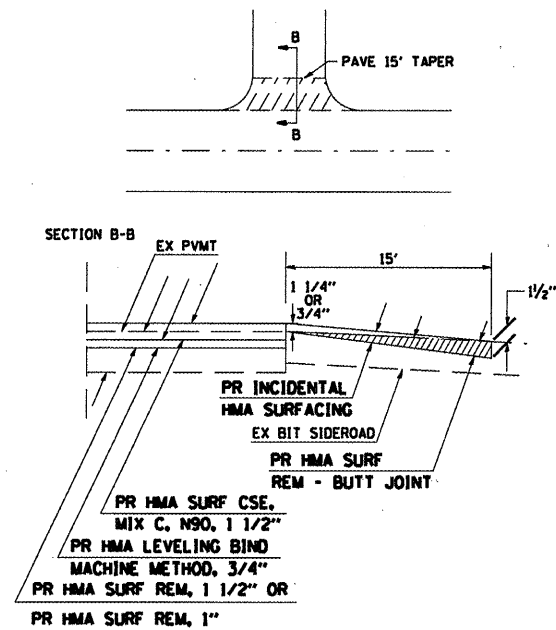
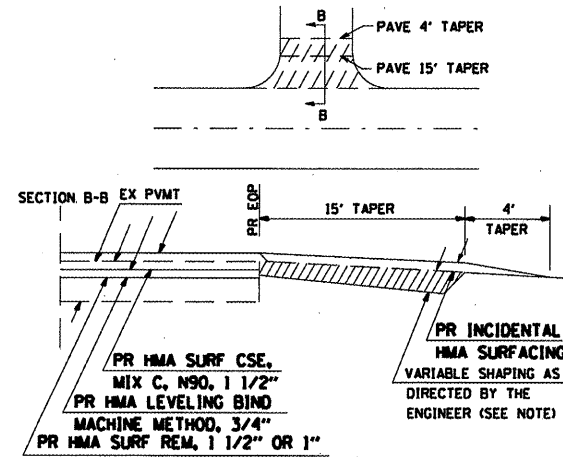


DETAIL OF BITUMINOUS OR PCC
SIDE ROADS WITH BUTT JOINT

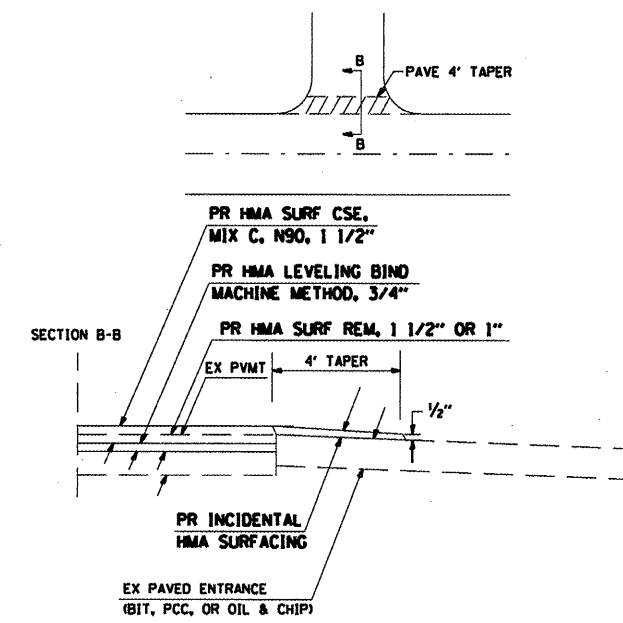


DETAIL OF OIL & CHIP
SIDE ROAD

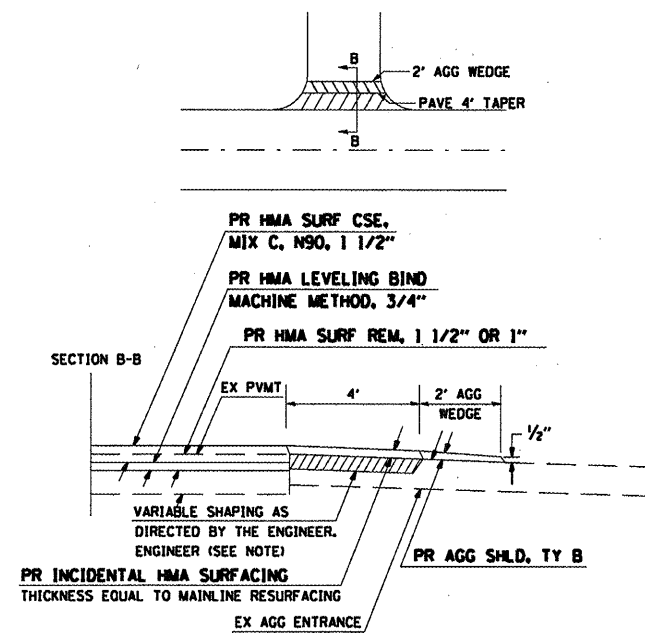


NOTES:
VARIABLE SHAPING IS INCLUDED IN THE COST OF HOT-MIX ASPHALT. PREPARATION OF EXISTING SURFACE AND ANY EXCAVATION FOR ENTRANCES SHALL BE IN ACCORDANCE WITH ARTICLE 406.09 OF THE STANDARD SPECIFICATIONS. IF EXISTING SUB-BASE IS INADEQUATE, AS DETERMINED BY THE ENGINEER, THE SIDEROADS SHALL BE CORED OUT AND AGGREGATE BASE COURSE TYPE B, 8" SHALL BE PLACED FOR BASE. THE COST OF CORING OUT THE SIDEROAD SHALL BE INCLUDED IN THE COST OF THE AGGREGATE BASE COURSE. IF EXISTING SUB-BASE IS DETERMINED TO BE ADEQUATE, THE AGGREGATE BASE COURSE SHALL BE DELETED AND THE PREPARATION OF THE BASE SHALL BE CONSTRUCTED ACCORDING TO ARTICLE 406.09.

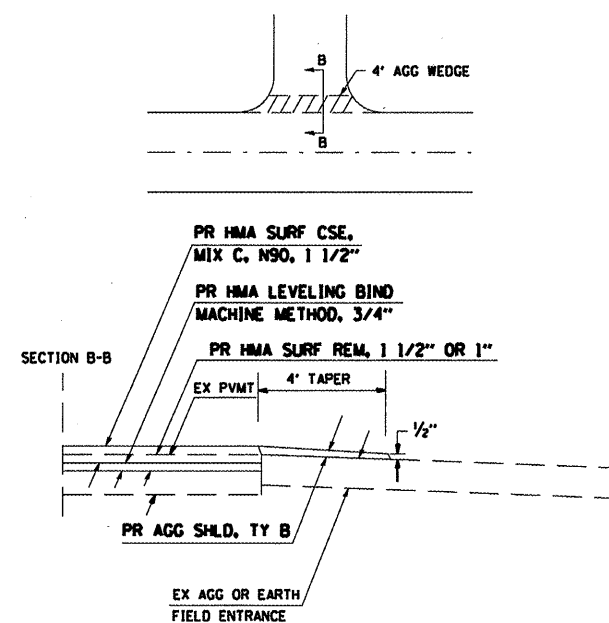
DETAIL OF BITUMINOUS, PCC, OR OIL &
CHIP PRIVATE OR COMMERCIAL ENTRANCE



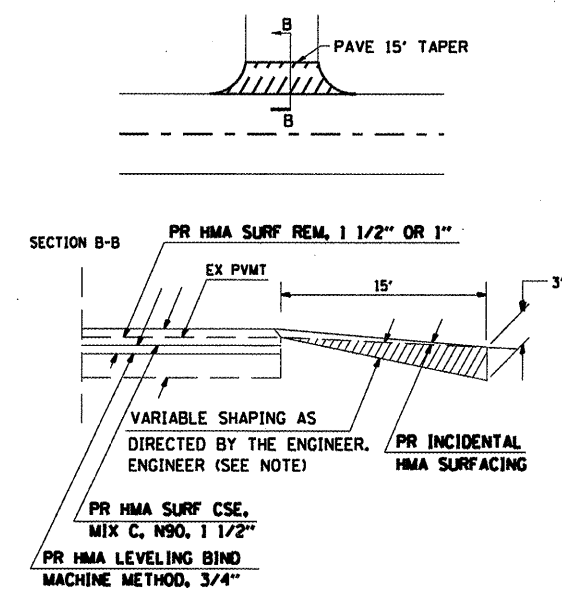
DETAIL OF AGGREGATE PRIVATE OR
COMMERCIAL ENTRANCE



DETAIL OF AGGREGATE OR EARTH
FIELD ENTRANCE



DETAIL OF AGGREGATE
SIDEROAD



FILE NAME =	USER NAME = shepardgd	DESIGNED -	REVISD -
ct:\p\work\p\dot\shepardgd\dms49876\d78066_sht_miso.dgn		DRAWN -	REVISD -
PLOT SCALE = 1/8" = 1' IN.		CHECKED -	REVISD -
PLOT DATE = 12/4/2008		DATE -	REVISD -

STATE OF ILLINOIS
DEPARTMENT OF TRANSPORTATION

BUTT JOINT AND PAVEMENT TRANSITION DETAILS

SCALE: SHEET NO. 14 OF 14 SHEETS STA. TO STA.

F.A.P. RTE. 328	SECTION 109RS-2	COUNTY WHITE	TOTAL SHEETS 15	SHEET NO. 15
CONTRACT NO. 78066				
FED. ROAD DIST. NO. ILLINOIS FED. AID PROJECT				